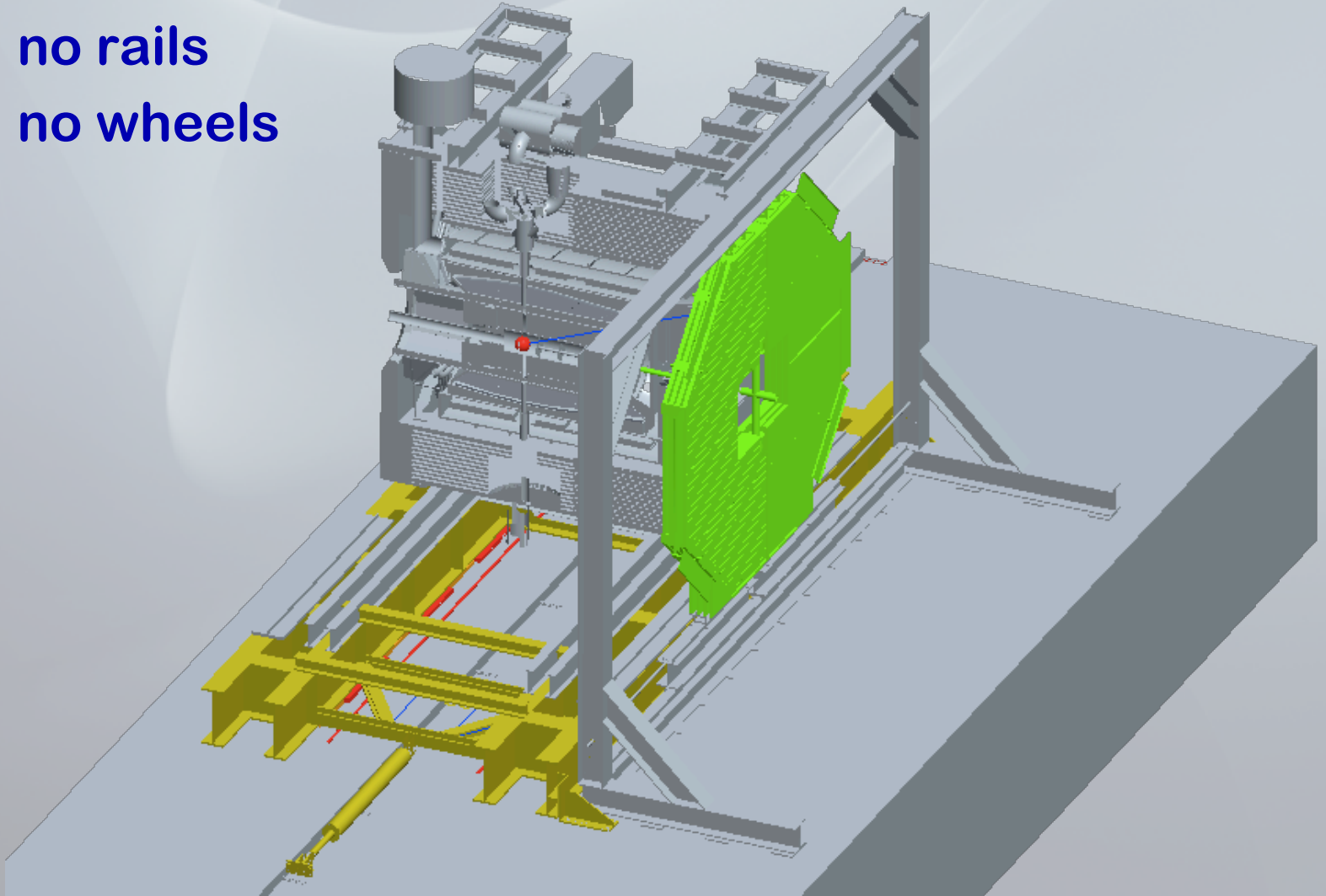


Edward Lisowski's Input



- Improved version

- no rails
- no wheels



Edward Lisowski's Input

- View from below
 - low friction plastic sliders
 - lifting: hydraulic jacks, air cushions (Hillman rollers?)
 - movement by 2m stroke hydraulic cylinder

