

September, 2009

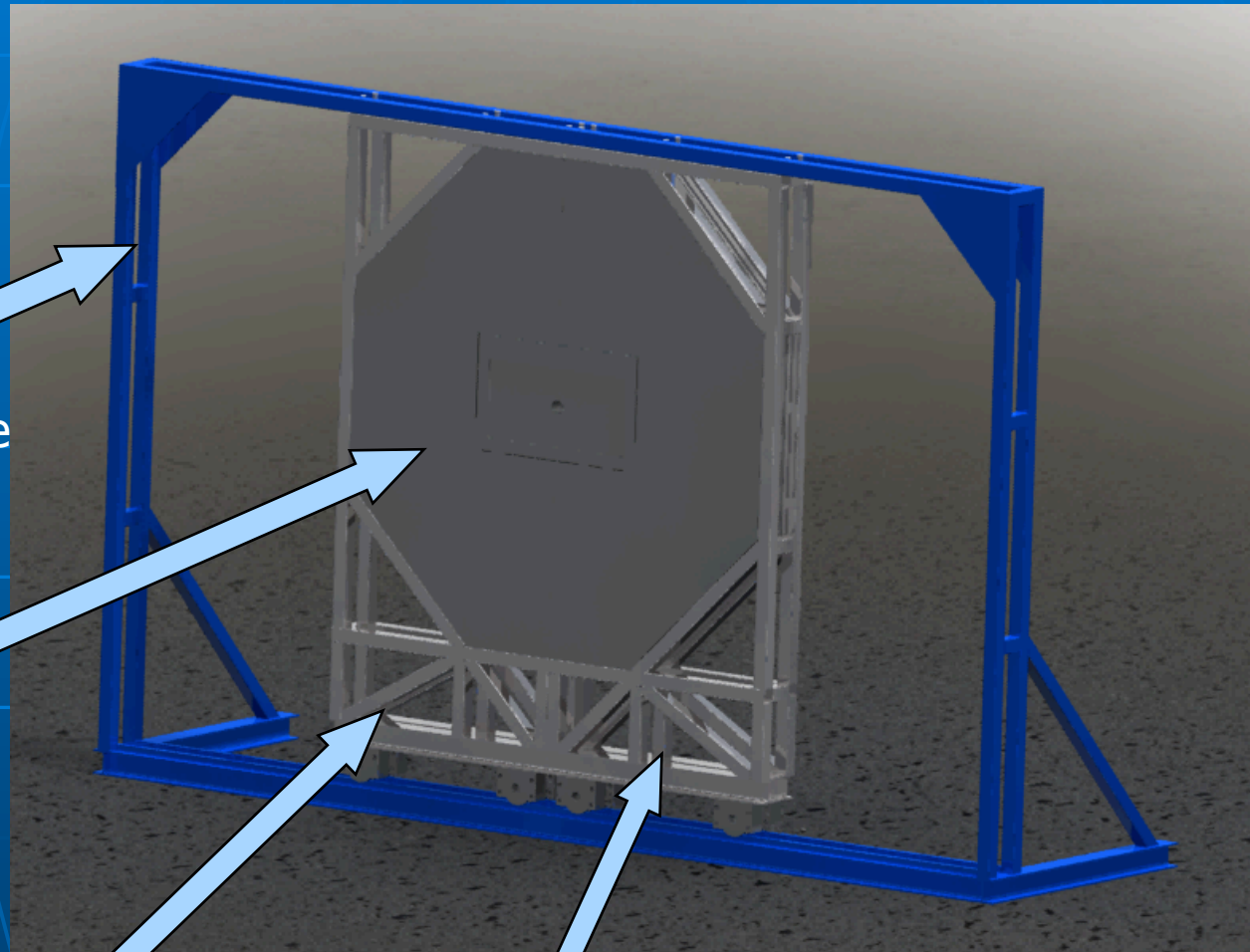
Muon Filter – current design

Cracow University of Technology

Mechanical Design Group

E. Lisowski, F. Lisowski

Muon filter - idea



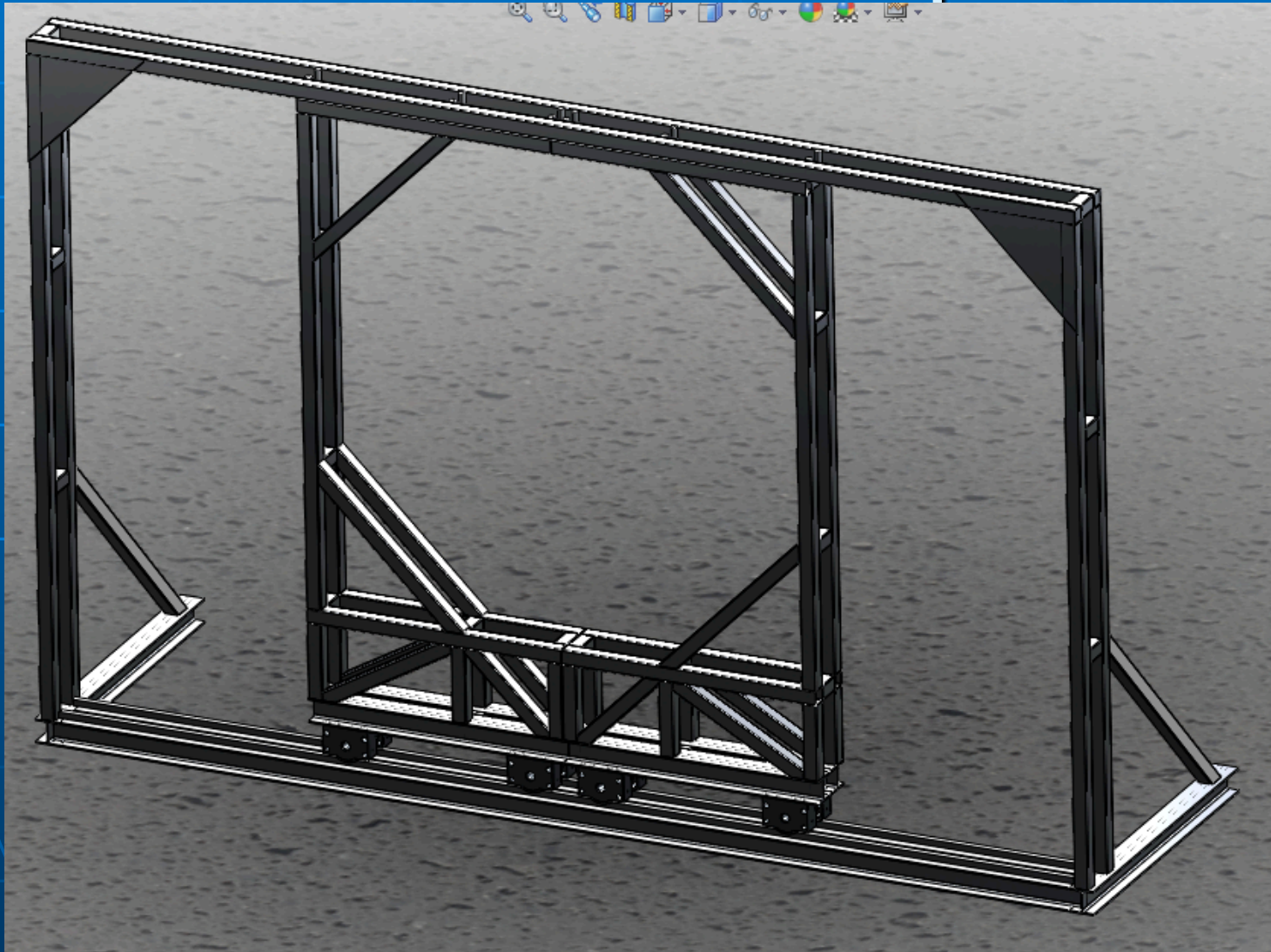
Constant frame

Muon Filter

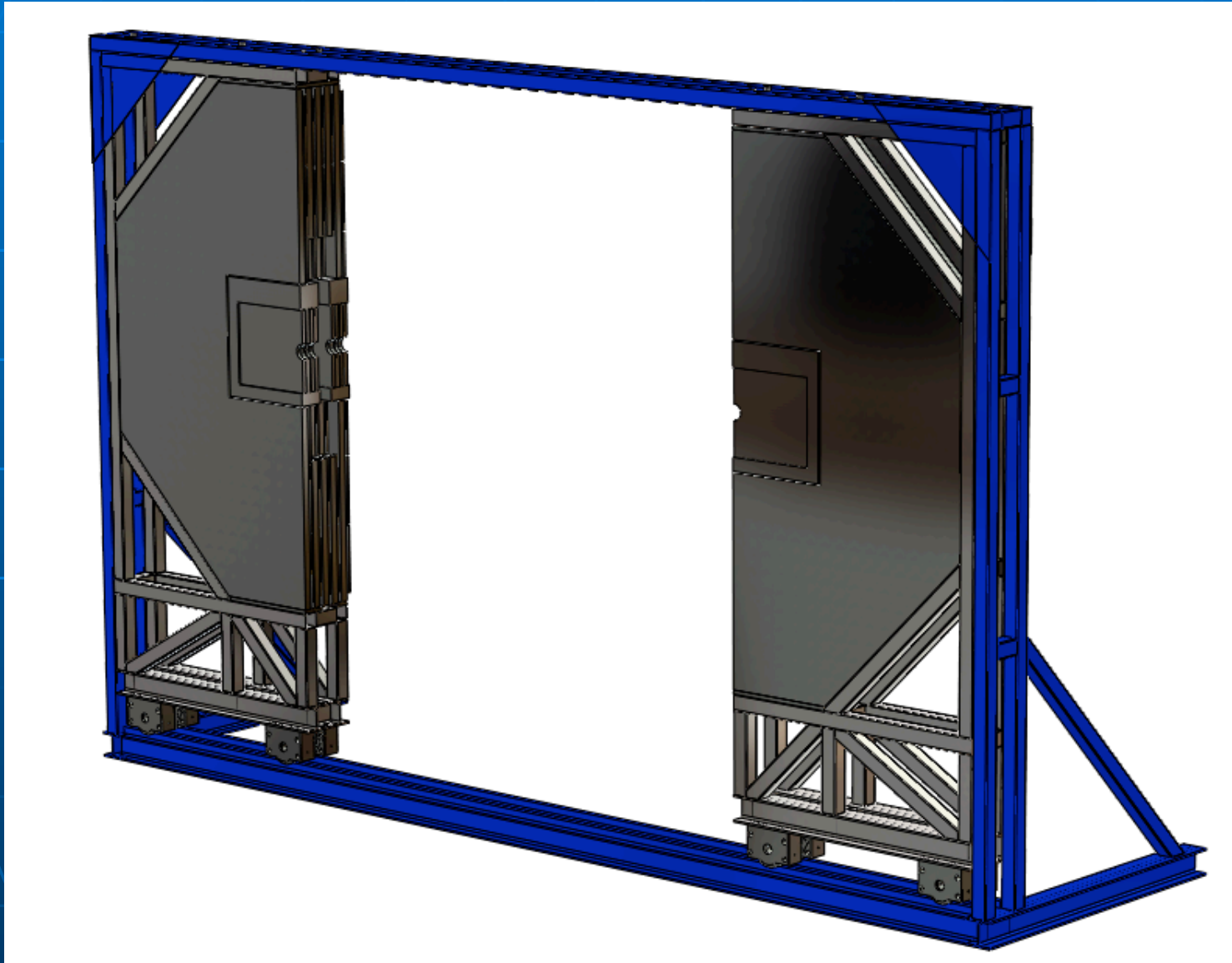
1- Moveable frame for
the first half of muon
filter

2- for the second
half of muon filter

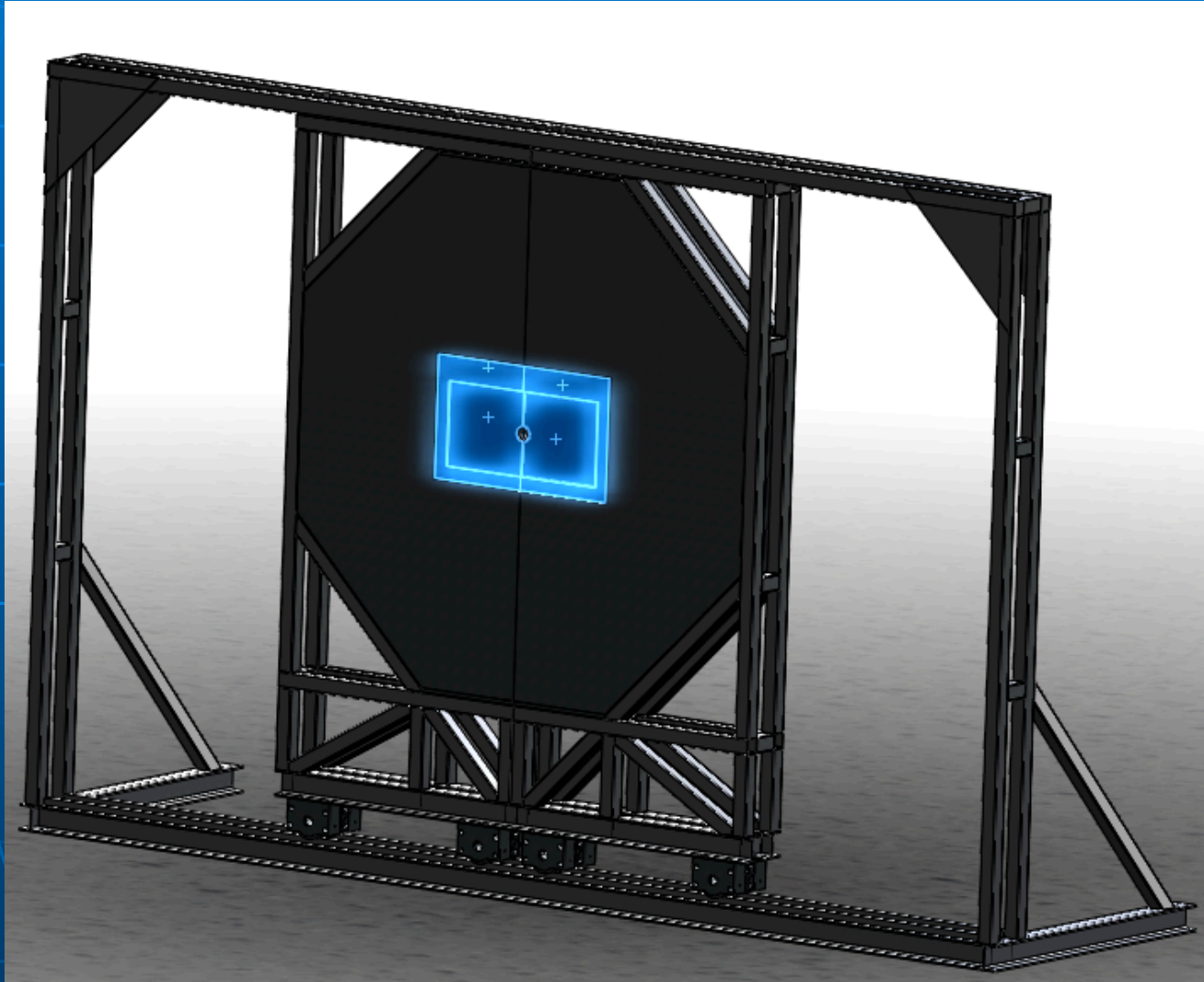
View of the supports without Muon filter – closed position



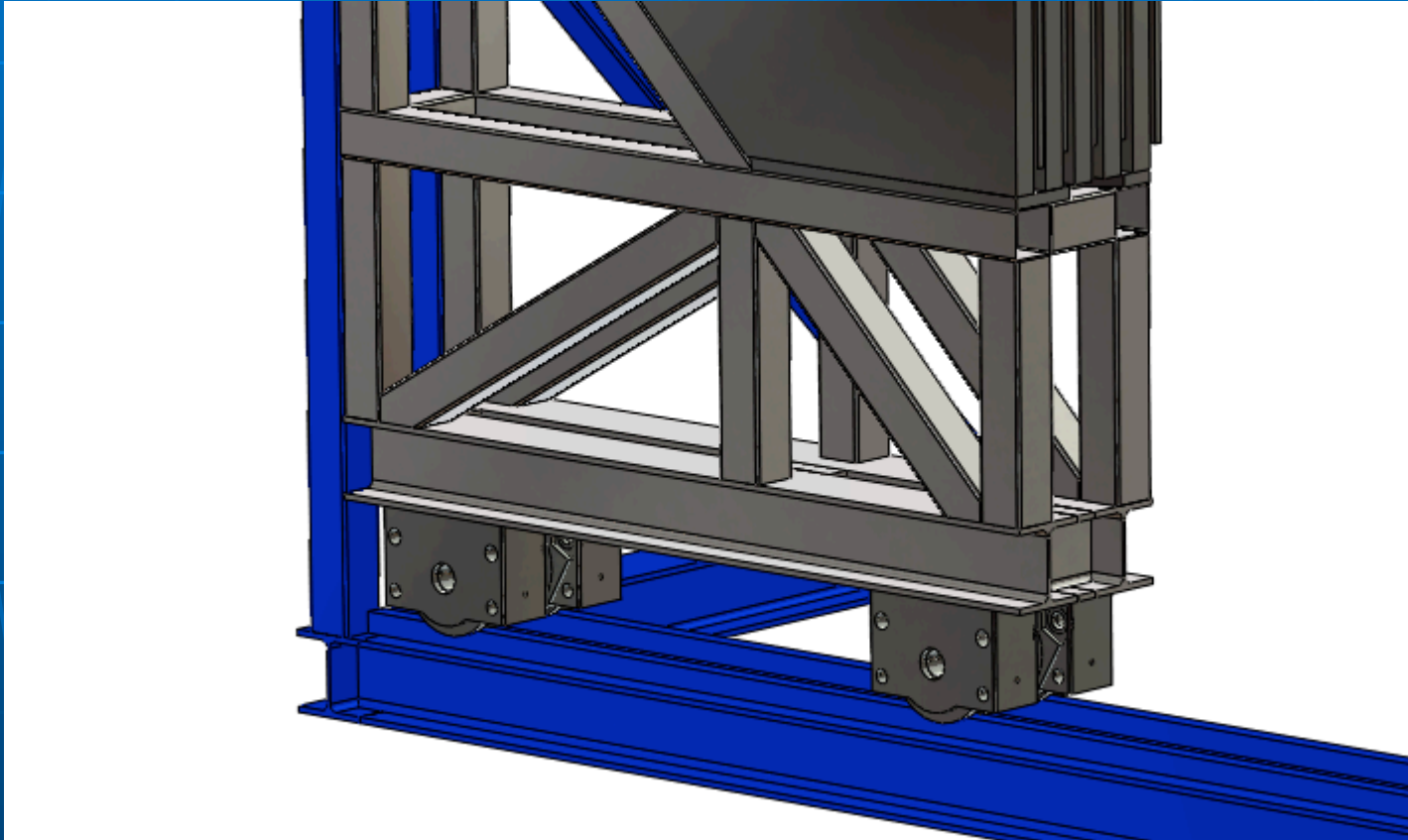
Open - position



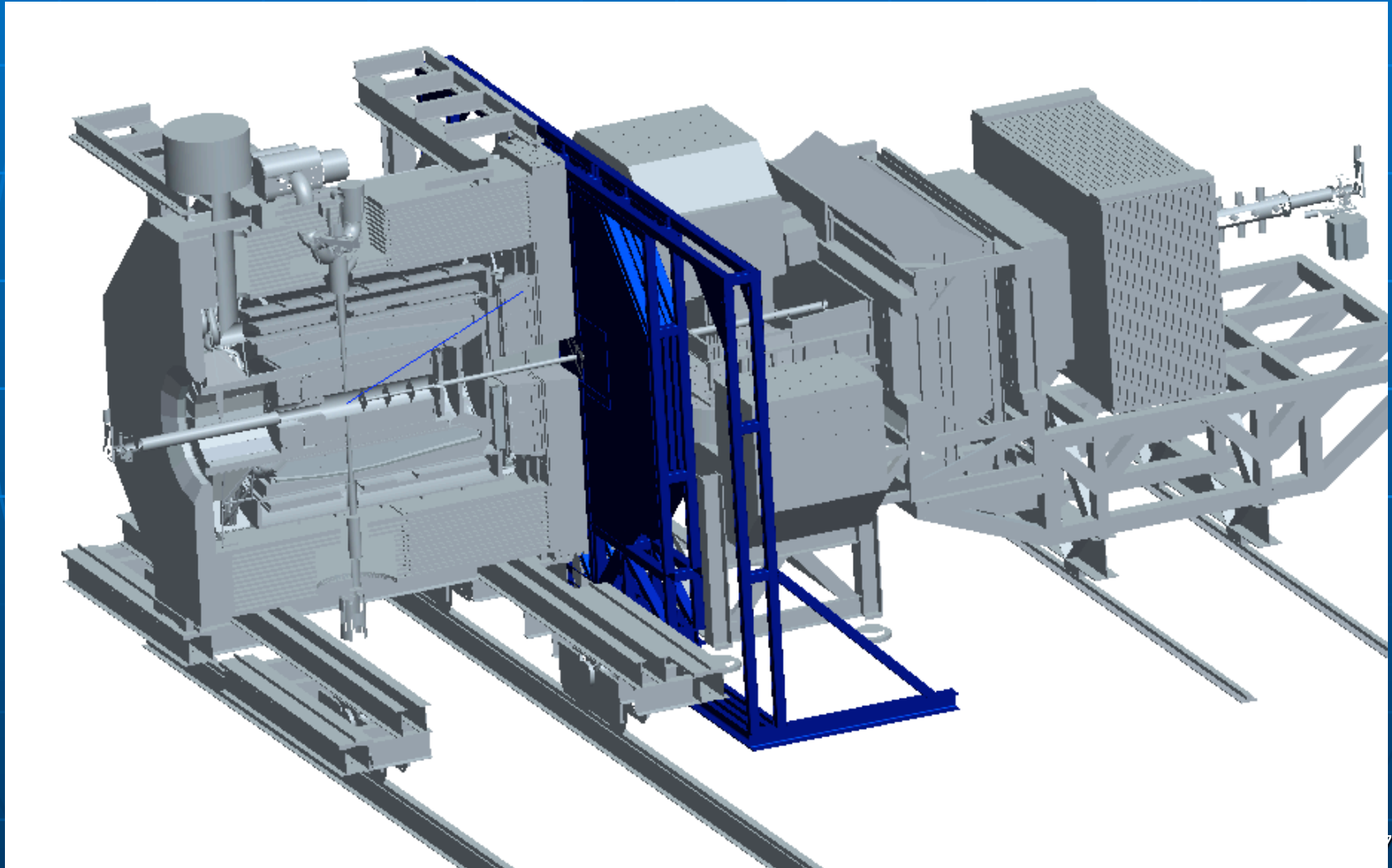
Closed - position



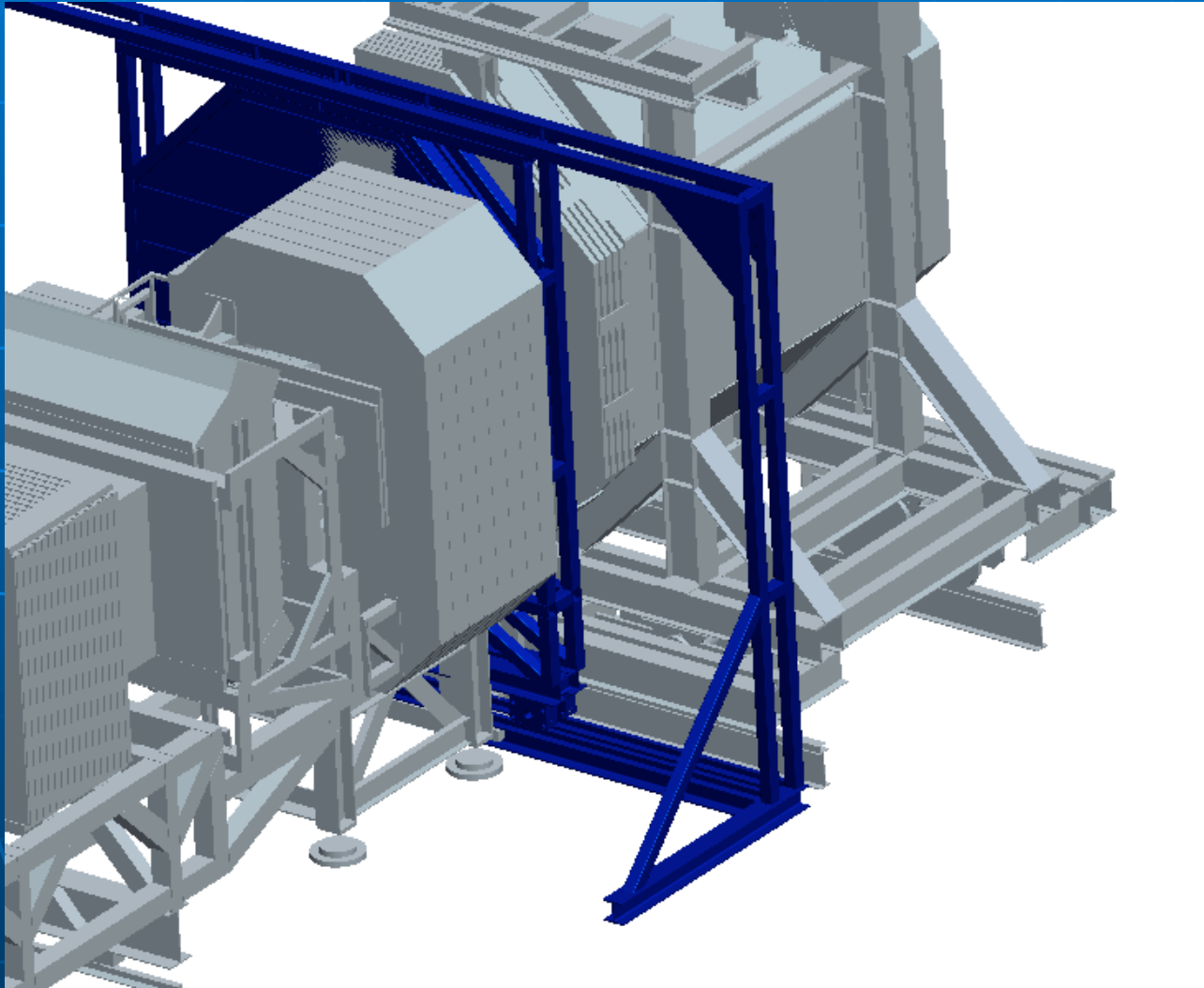
Wheels system and support of muon filter



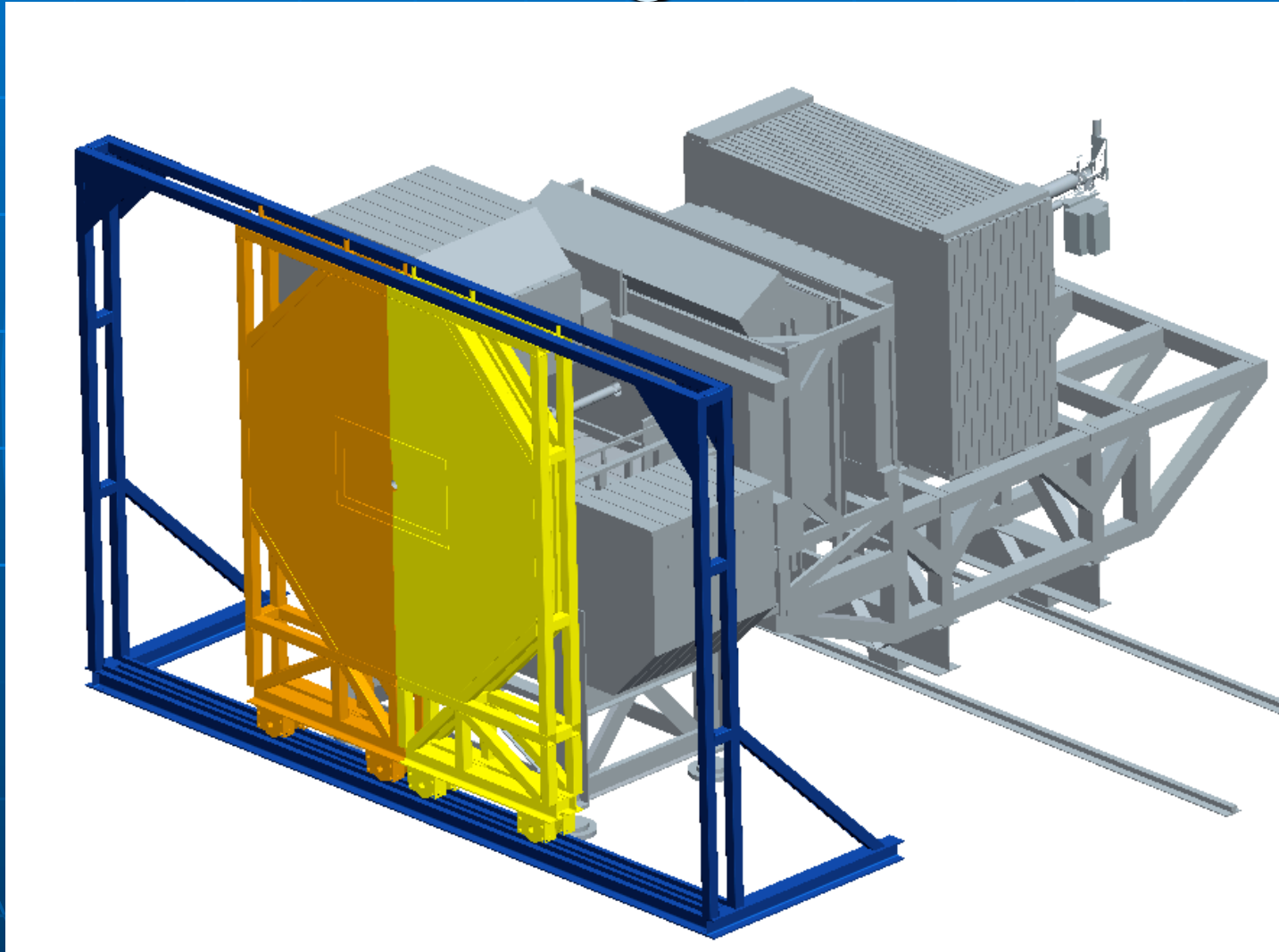
Side view of muon filter in Panda



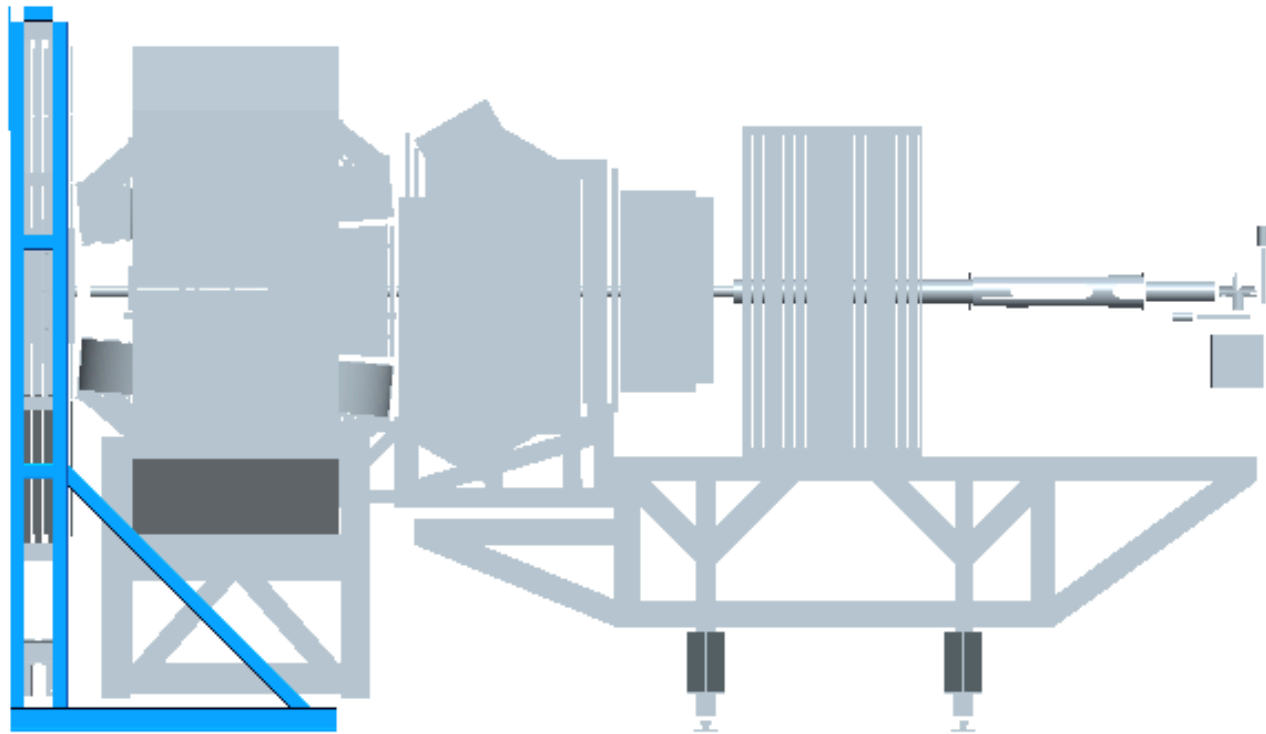
View opposite side



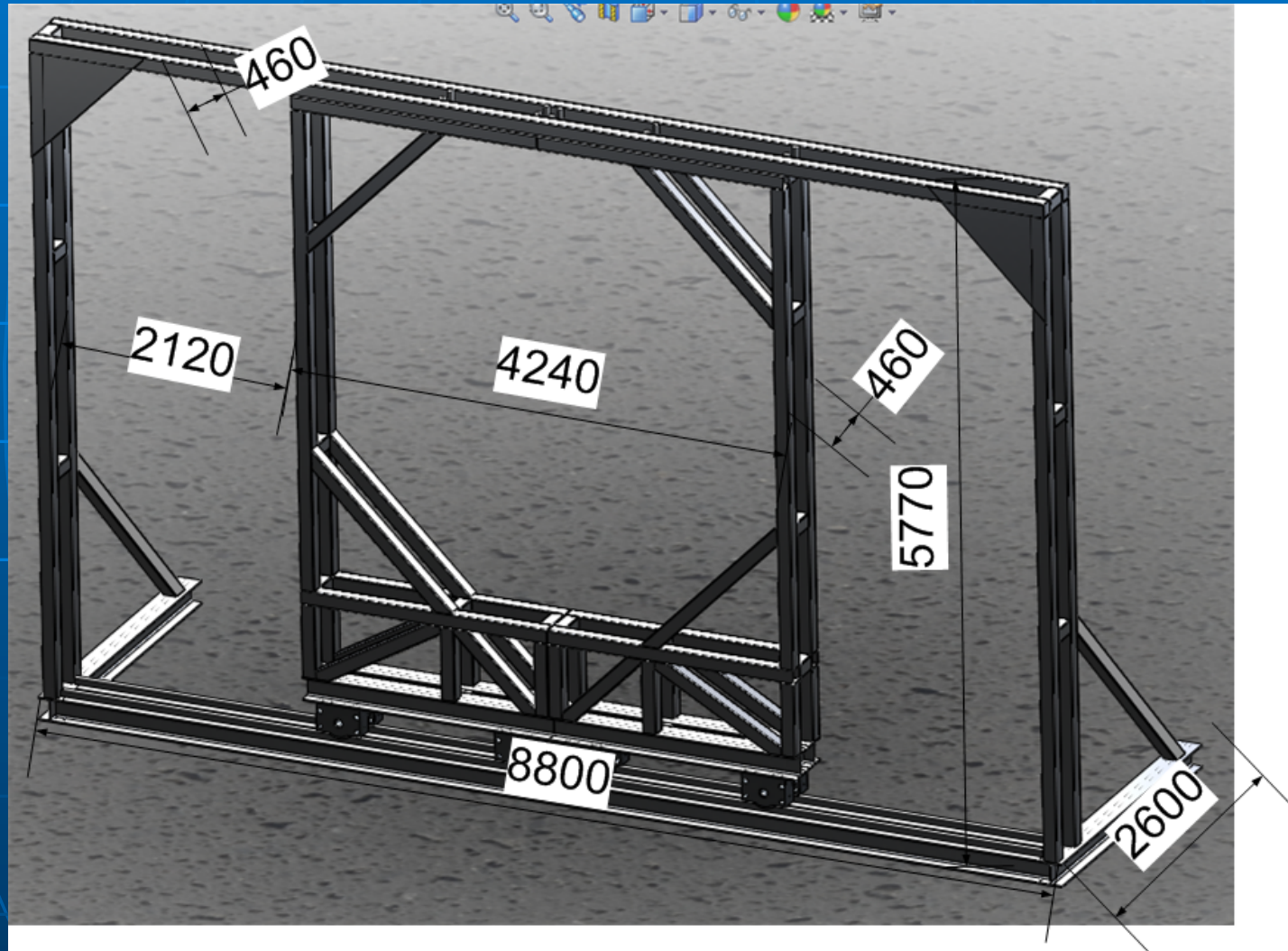
View of muon filter to dipole magnet



Muon with magnet and forward platform – side view



Dimensions



Summary

- Total mass of muon filter about 50 tones
- Dimensions Length=8800 mm, Height=5770mm, thickness of filter=460mm, Support width=2600mm
- Moving half of Muon by mechanical hand drive or electrical
- Standard rails
- Material for construction - Standard steel
- FEA analysis will be done soon