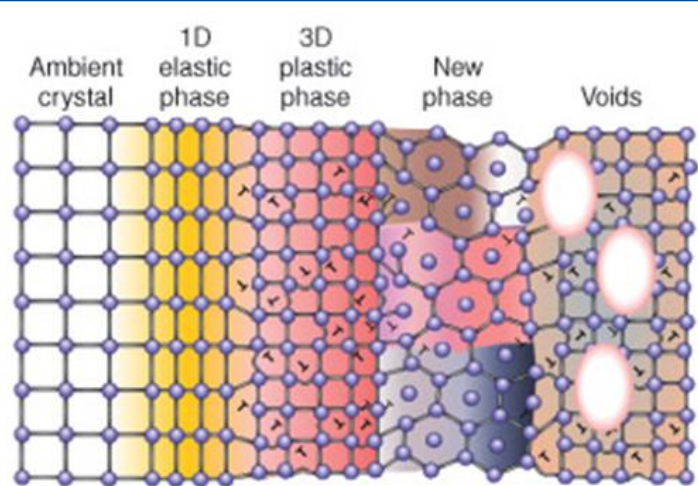


ExtreMe Matter Institute EMMI

EMMI Workshop

Plasma Physics at FAIR

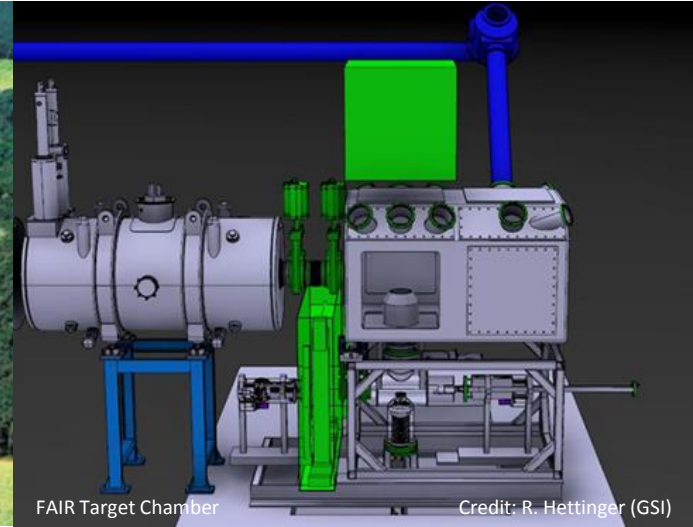
June 21-23, 2017, GSI, Darmstadt, Germany



H. E. Lorenzana et al., Sci Model Simul (2008) 15:159–186 (LANL)



FAIR & GSI



FAIR Target Chamber

Credit: R. Hettinger (GSI)

Workshop Topics

- Physics of High Energy Density States: Theory, Experiments, Diagnostics
- EOS of Matter under Extreme Conditions
- Energy Transport in Warm Dense Matter
- Atomic Processes in Strongly Coupled Plasmas
- Laser based Photon and Particle Sources for HED/WDM-Diagnostics
- Materials Research, Atomic Physics, and Biophysics related to Plasma Physics
- Experiments in 2018-2019 with Ion Beams from SIS 18
- Combined Laser and Ion Beam Experiments

Keynote Speakers

D. Batani (Bordeaux Univ.)
P. Giubellino (FAIR & GSI)
S. Glenzer (SLAC)
I. Lomovosov (IPCP)
D. Riley (Queens Univ.)
R. Redmer (Rostock Univ.)
T. Schenkel (LBNL)
Wei Kang (Peking Univ.)

Organizing Committee

V. Bagnoud (chair), A. Blazevic (co-chair), P. Neumayer (co-chair), T. Kuhl, D. Lang, S. Neff, O. Rosmej, D. Schumacher, D. Varentsov, K. Weyrich

Information & Registration

<https://indico.gsi.de/conferenceDisplay.py?confId=5686>

More about EMMI

www.gsi.de/emmi

