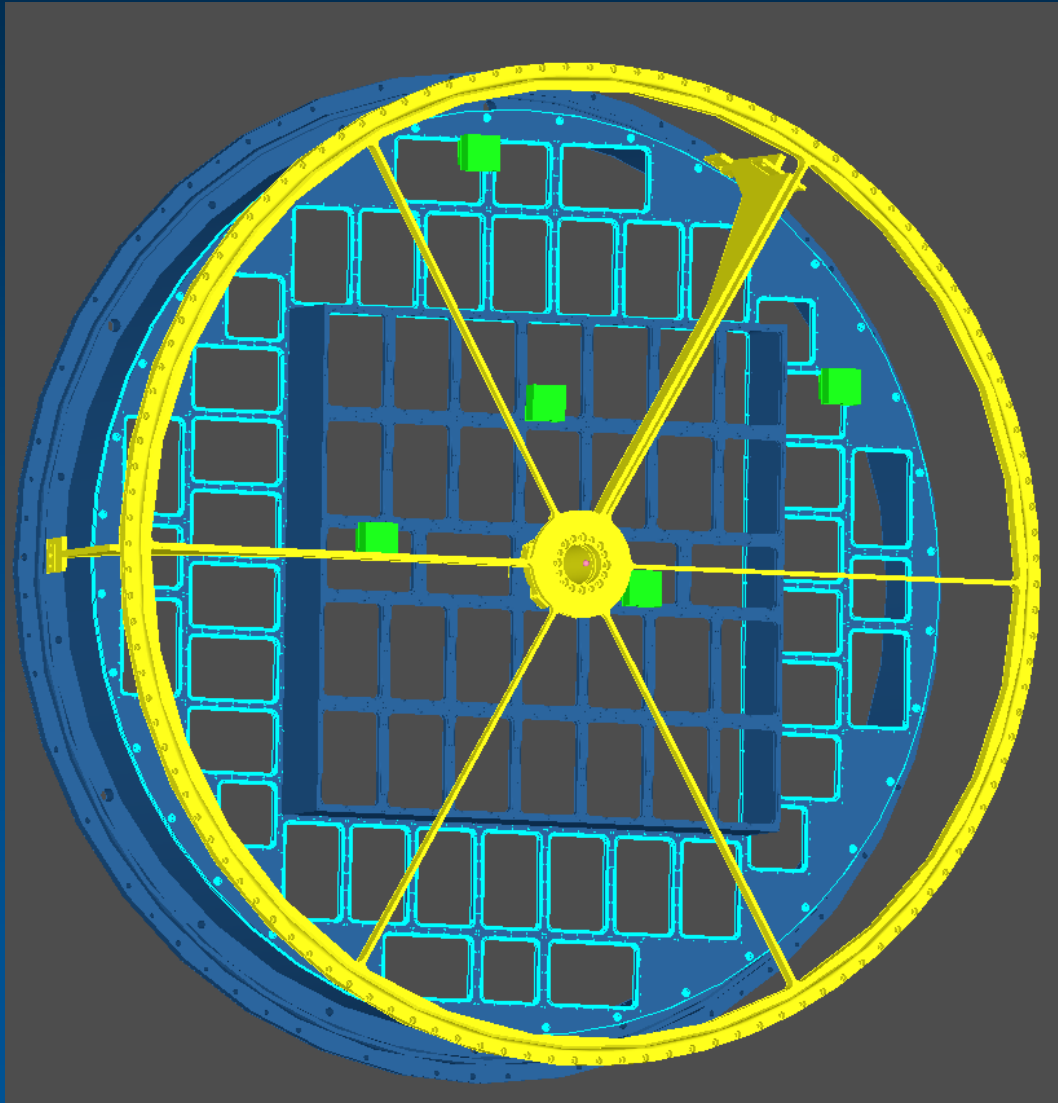


- Photon Detector Status
- SRC@HADES
- Electronic Cooling Aspects
- Assembly Tools

250 days to go

Constructive interference : backplane routing ↔ flange design



- ✓ Design finished 04.16
- ✓ Drawings accepted 05.16
- ✓ Order Placed 06.16

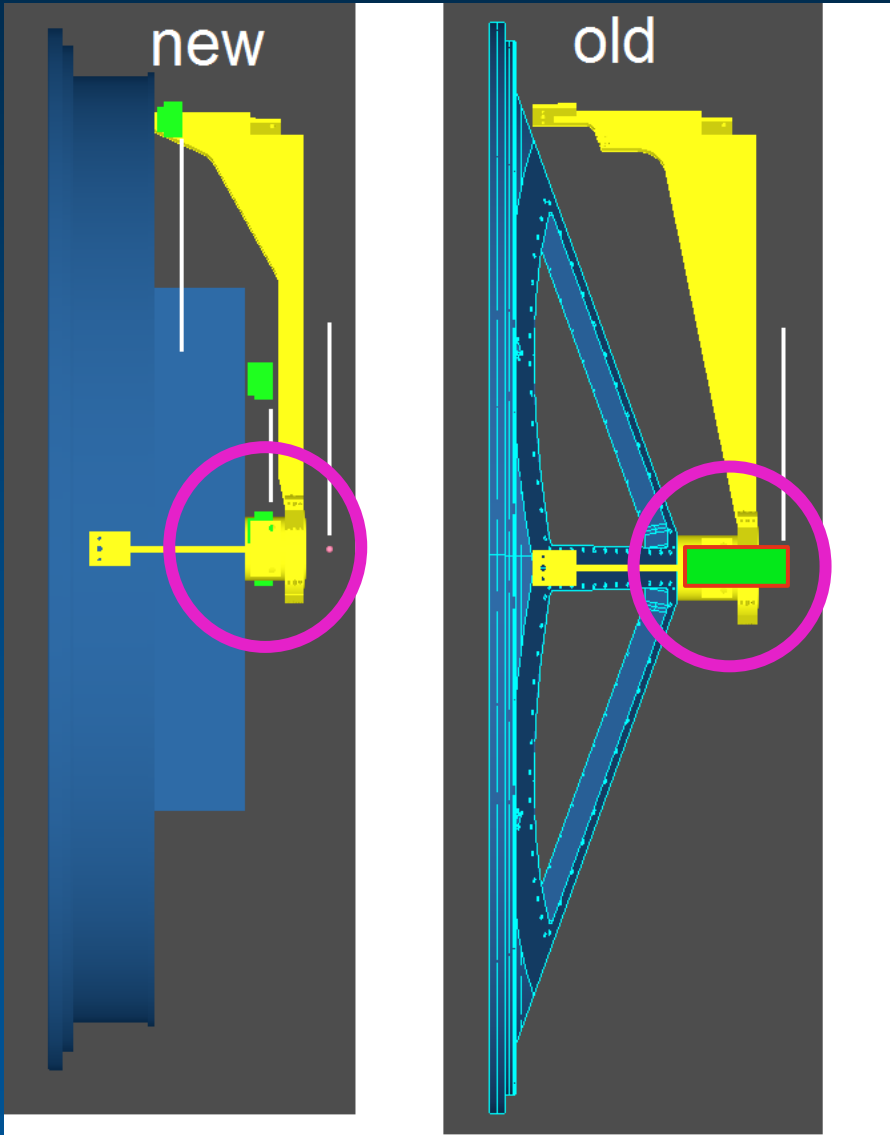
✓ **Delivery** 07.16

- ✓ Central window & beam tube test hub
- ✓ Dummy PCBs
- ✓ O-Rings
- Screws
- Mini flanges

✓ **Assembly** 08.16

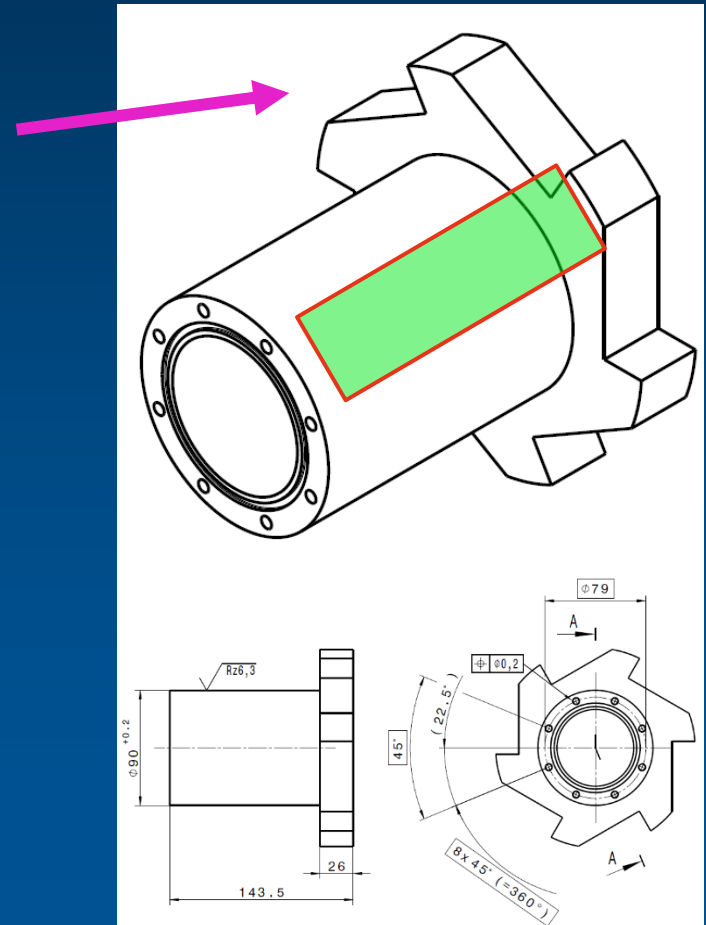
p+A @ 4 GeV

proton - backward scattering



Modify window & beam tube hub

6 – 12 Si-SSD telesc. for PID



- HV & LV supply
- DAQ Infrastructure

Start Aug. 2016 ?

N₂ supply

V ~ 500 m³/h

Mini flanges

Flow Control (Bubbler)

Leak Testing ?

Air Fans

V ~ 400 - 500 m³/h

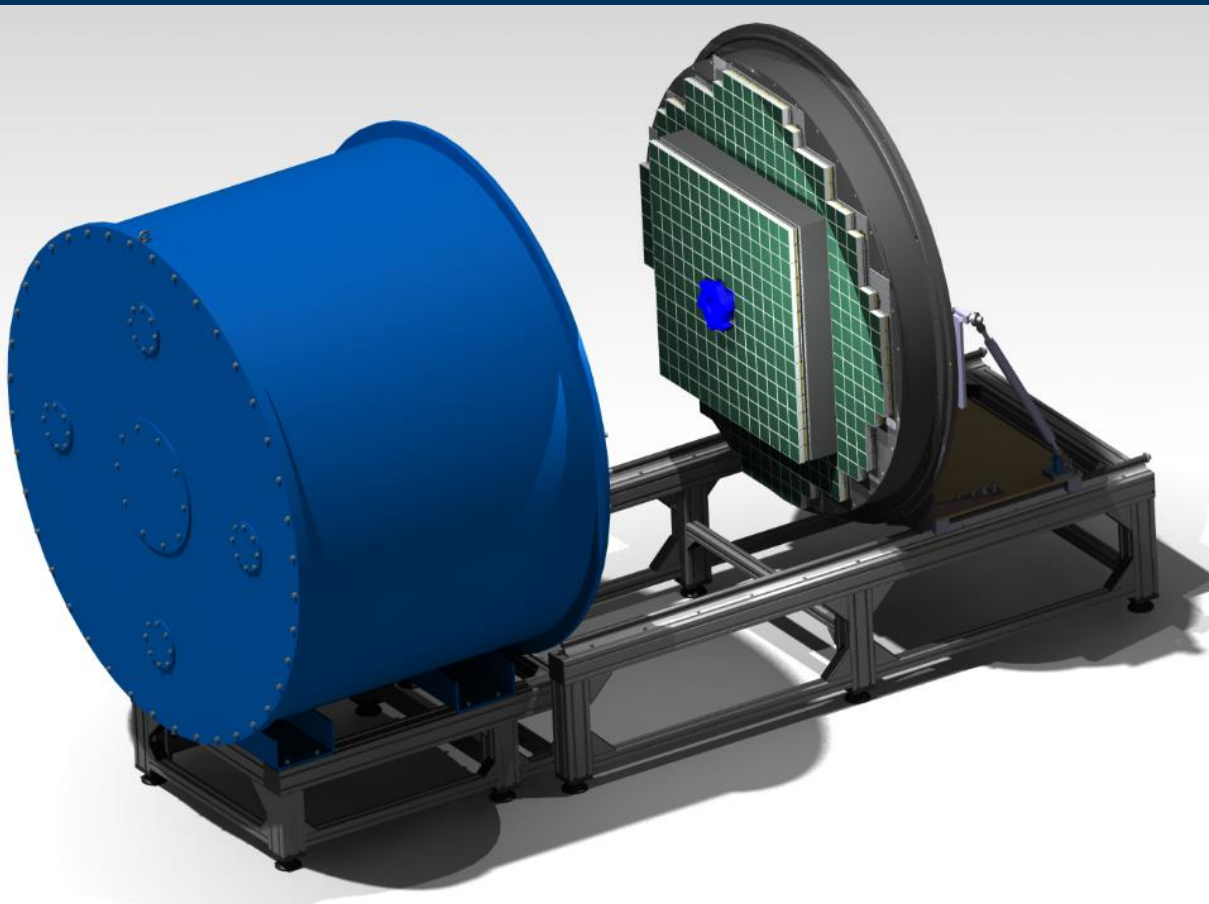
Air tubes

Temp. sensors

flange & tank

Monitoring

Heat Sink & Water supply



- RICH move to tent;
space allocation
rail support ??
- Tools for dismantling of MWPC detector
- Dummy spokes for tank support & window protection
- Hub exchange (very critical)
- FE calculations for tank stability
-