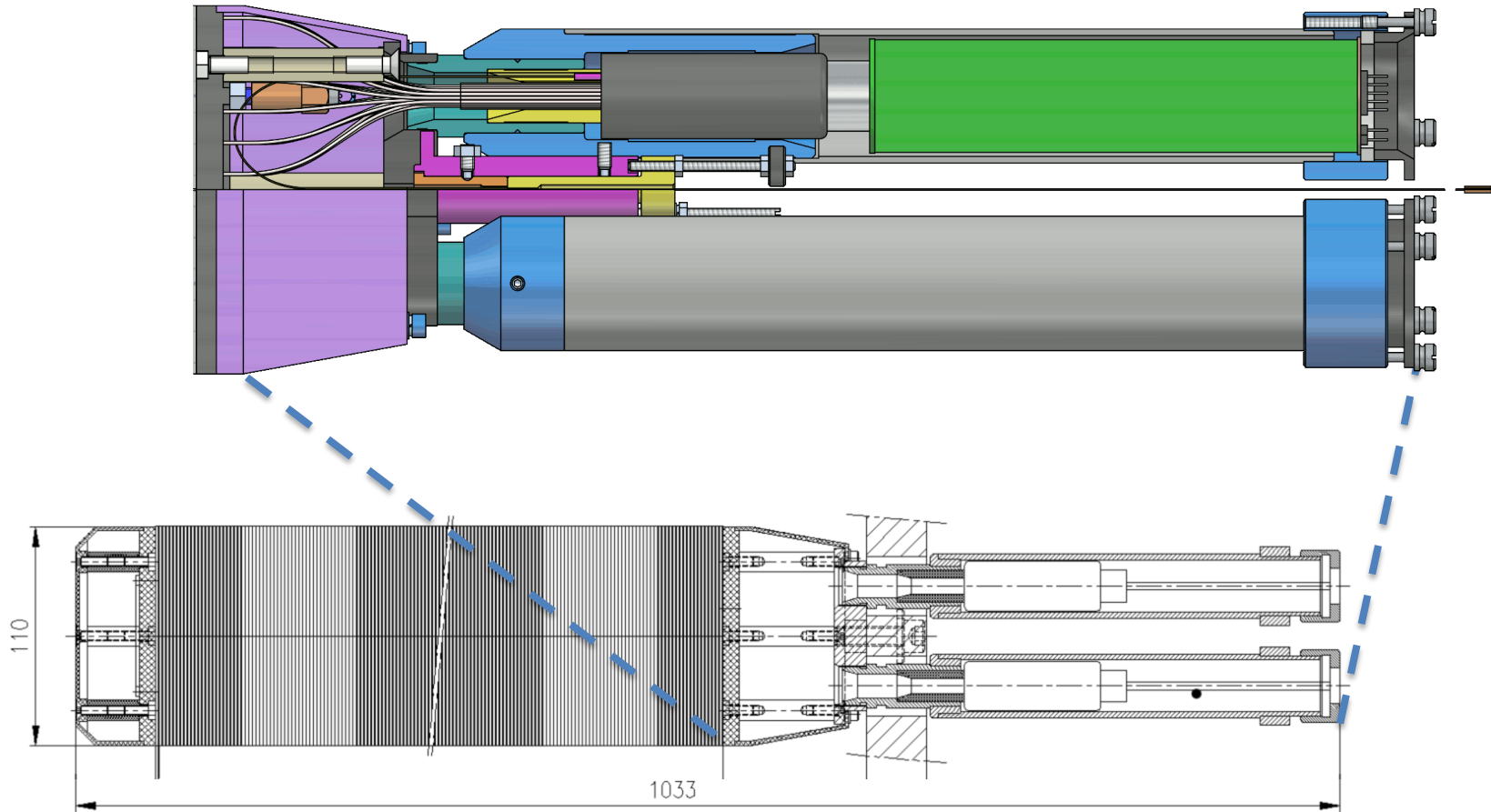


FSC: The Slow Control Development

S. Bukreeva, S. Ryzhikov
(IHEP@Protvino)

Cockcroft–Walton (CW) Multipliers



Cockcroft–Walton (CW) Multipliers

- Reduced CW boards (140mm to 78mm)
- In progress: ADC chips are being tested to use on CW to monitor supply voltage.



CW Control Units

- based on stm32 microcontroller
- remotely controllable via Modbus



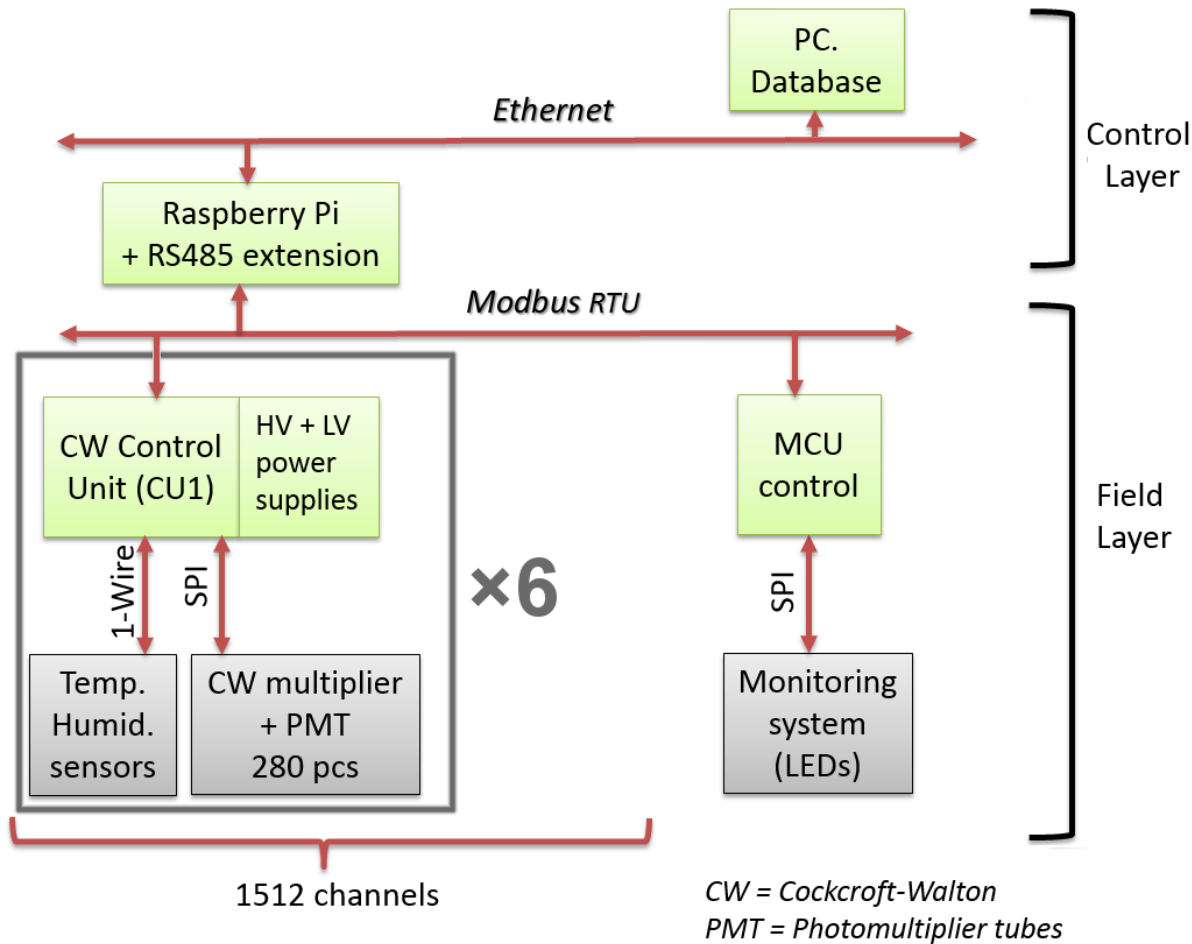
EPICS I/O Controllers

Raspberry Pi as Input/output controller

- RS-485 adapter with galvanic isolation
- EPICS module for Modbus support
- Ethernet



FSC Slow Control Subsystems



FSC Slow Control Software

