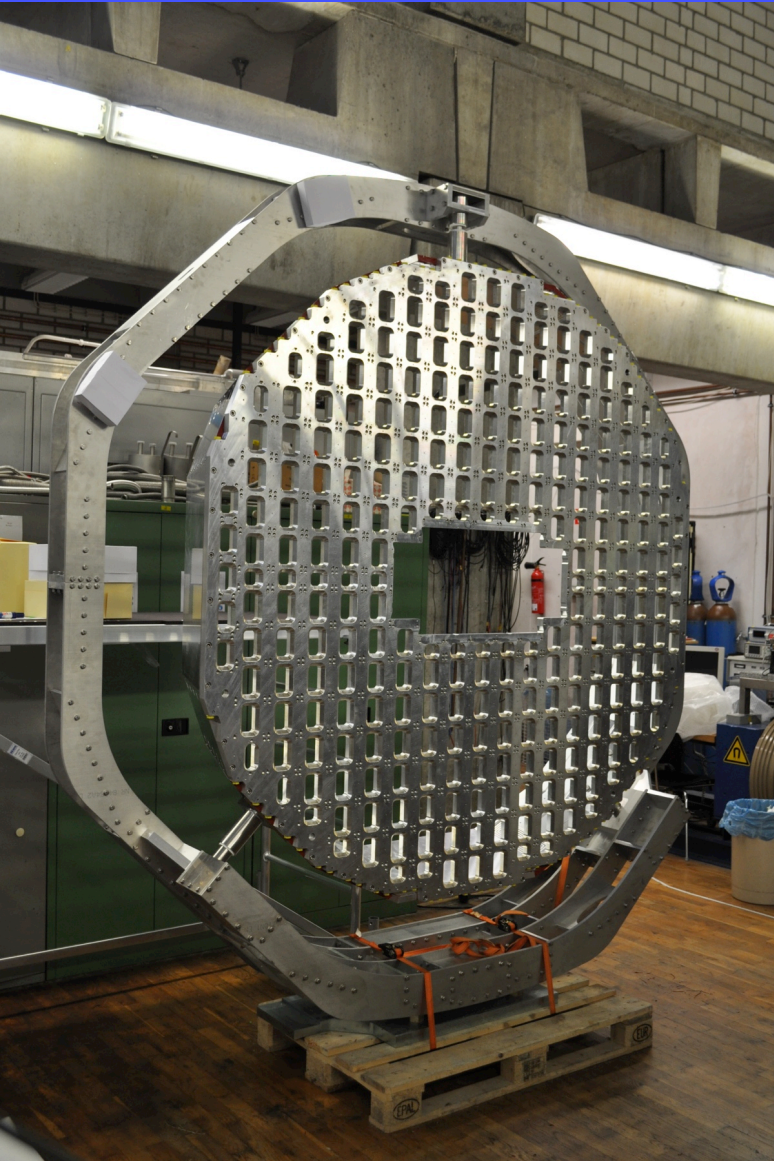
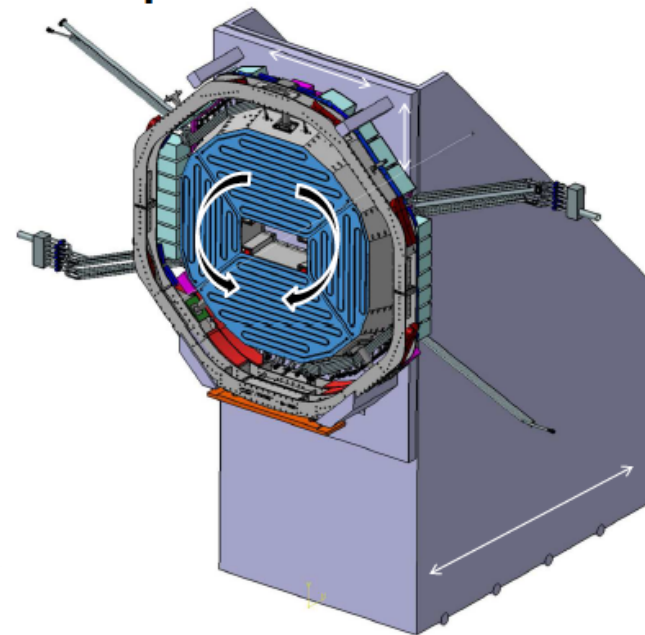


Update on Services for the Forward Endcap EMC

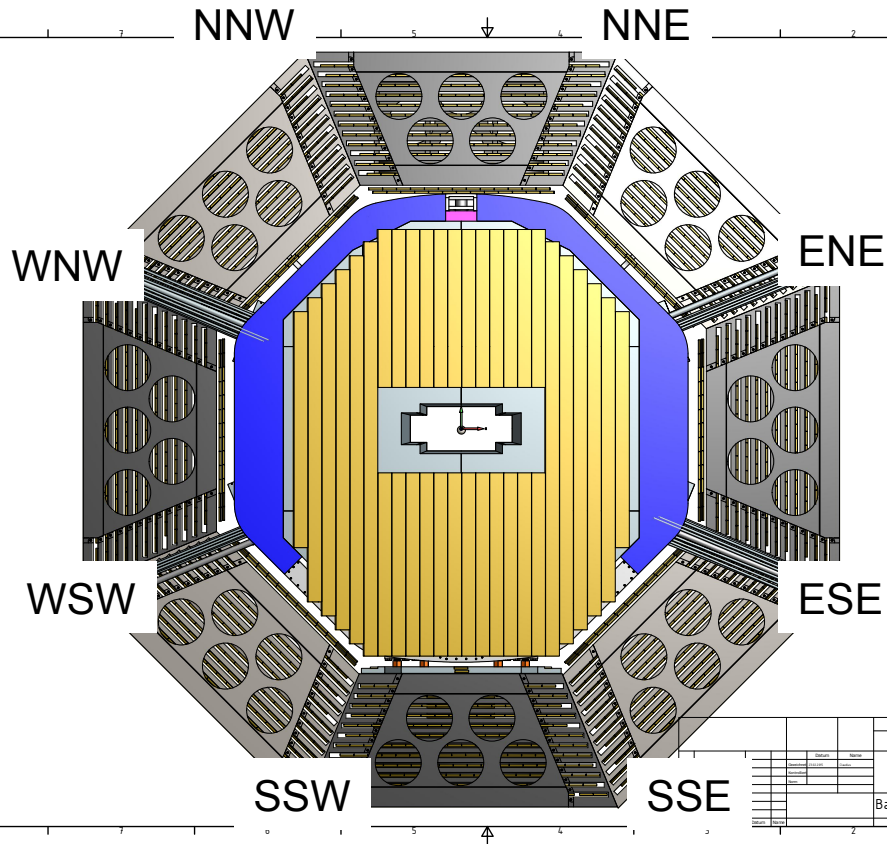


Fritz-Herbert Heinsius
Ruhr-Universität Bochum



Services through the Magnet

Upstream view

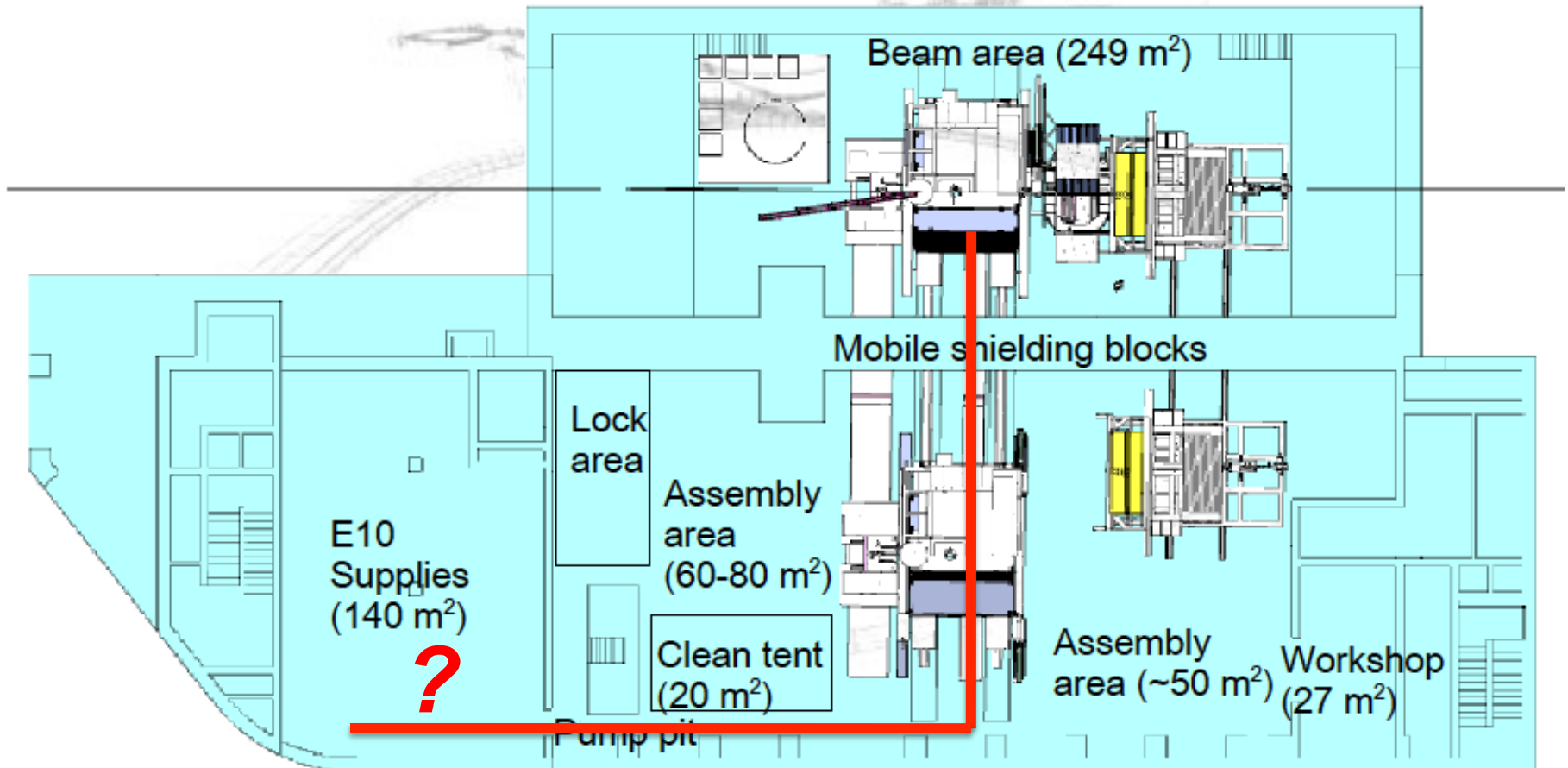


- *WNW and ENE (each 575 cm²)*
Thereof for EMC (both sides):
 - 440 cm² detector cooling
 - 15 cm² HV
 - 46 cm² LV
 - **90% occupied**
- *WSW and ESE (each 575 cm²)*
Thereof for EMC (both sides):
 - 260 cm² detector cooling
 - 11 cm² HV
 - 46 cm² LV
 - 44 cm² Dry air, ADC water cooling, readout fibres, DCS
 - **65% occupied**

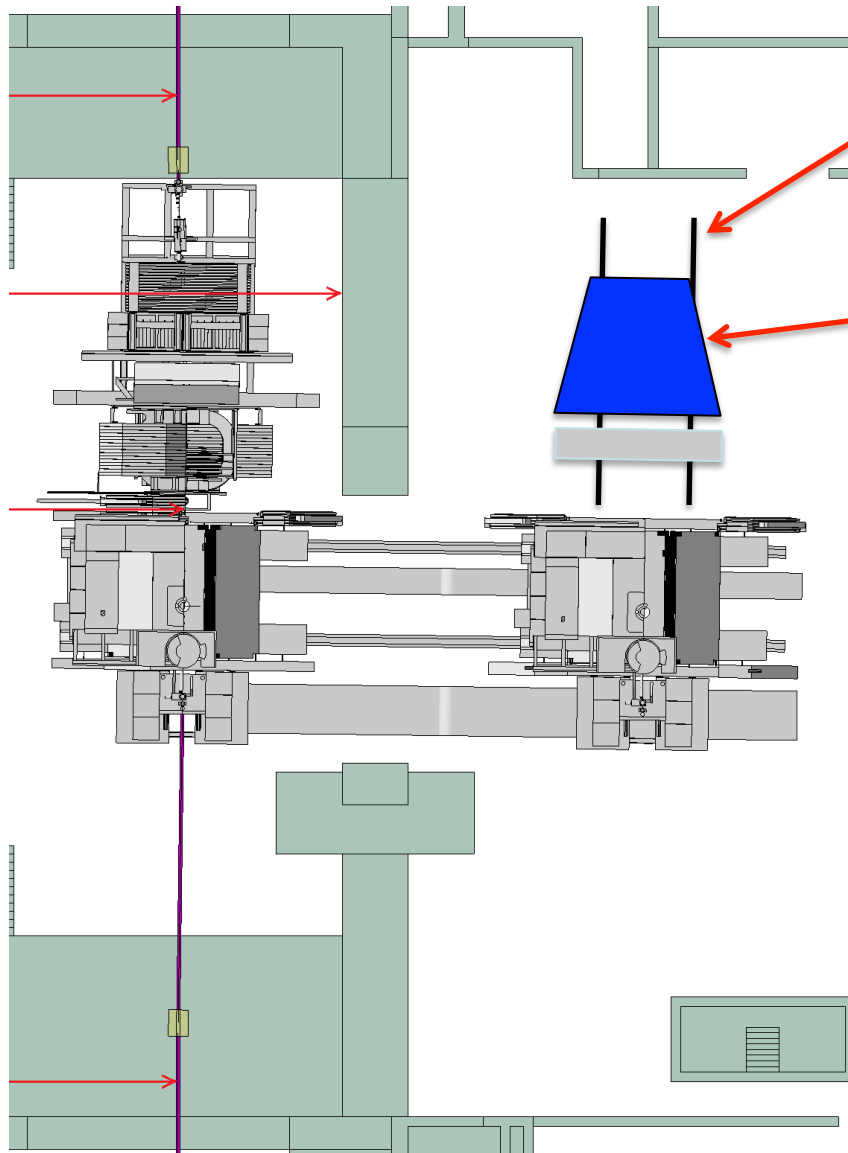
From Magnet to E10

- HV: 400 cm²
- Readout fibres: 22 cm²
- DCS: 5 cm²

*Need to know routing
to buy cables of correct length*



Forward Endcap EMC Installation



- Rails for precise mounting of forward endcap EMC?
- Support structure to move EMC into solenoid needs space
- First idea (FZJ):

