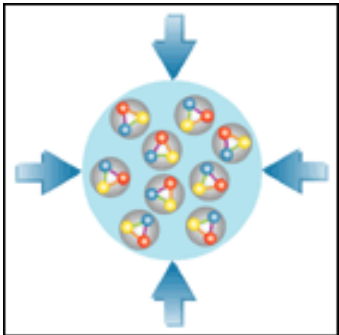


---

# Timing & Fast Control (CBM)



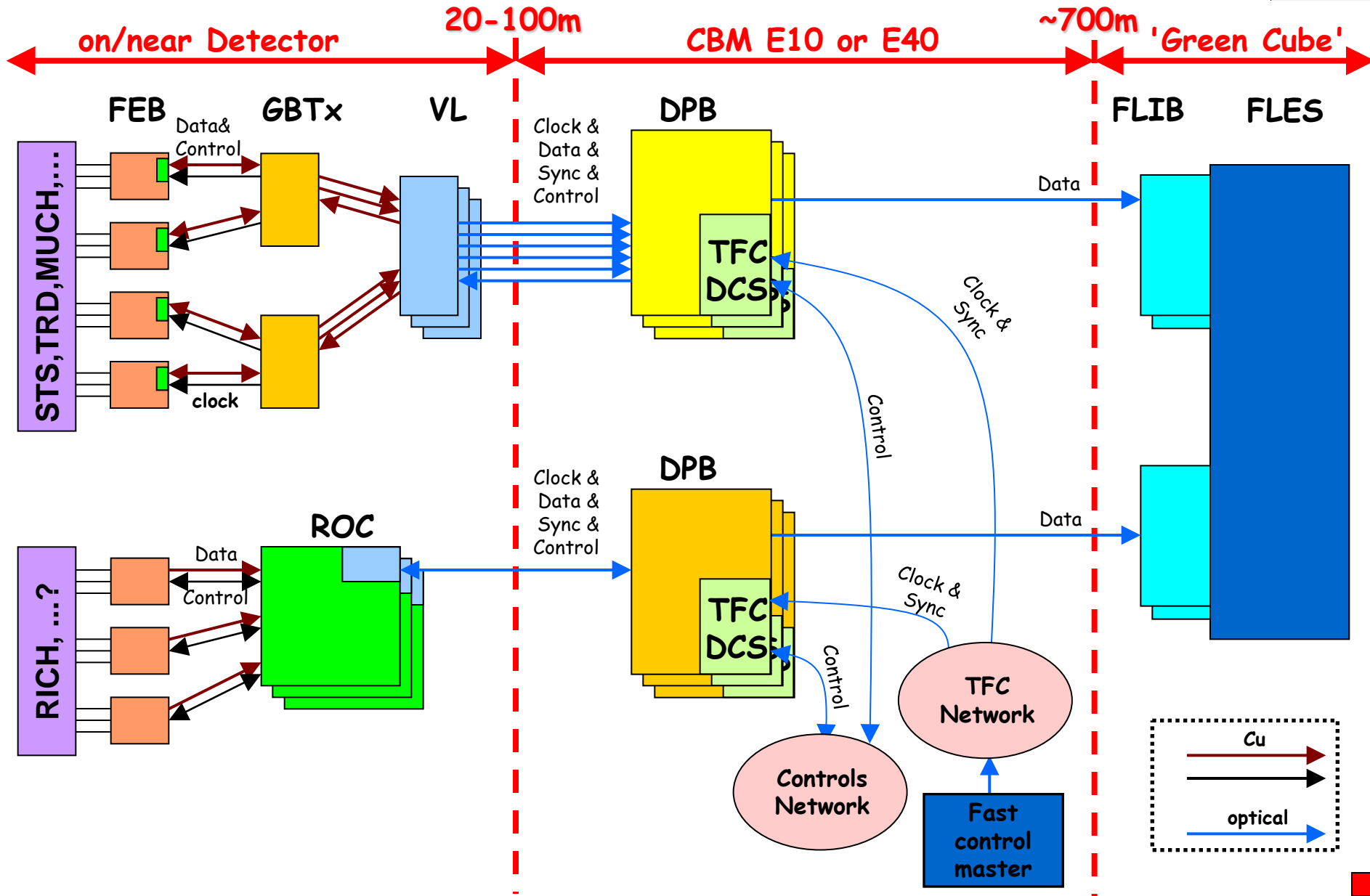
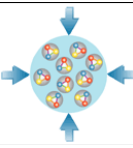
---

Walter F.J. Müller, FAIR, Darmstadt

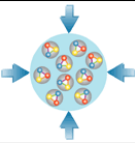
Joint CBM / Panda DAQ Workshop  
19 - 20 February 2015



# CBM Data Flow – Full Picture

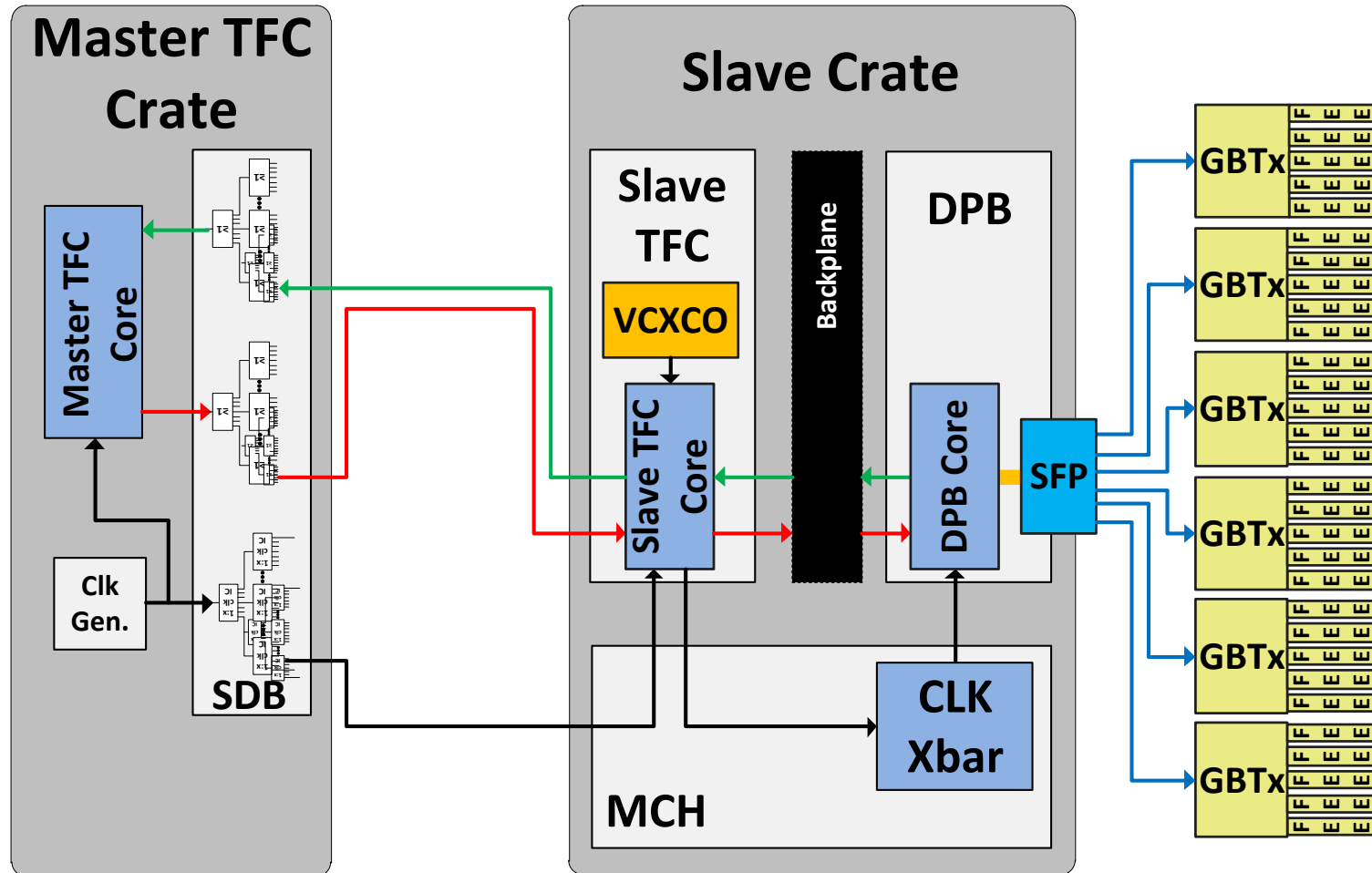


# TFC – Mission Statement

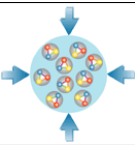


- Distribute master clock
- Coordinate system-wide state transitions
  - time (re-)synchronization
  - DAQ mode changes, e.g.
    - start/stop
    - spill / non-spill
- Coordinate system-wide flow control
  - receive 'busy' status from DPB layer
    - may result from FEE status (buffer overfilling)
    - may result from FLES status (back pressure)
  - generate and communicate throttle decision

# Concept –System Structure with TFC

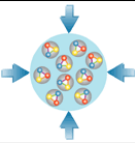


The End



Thanks for  
your attention





# Backup Slides