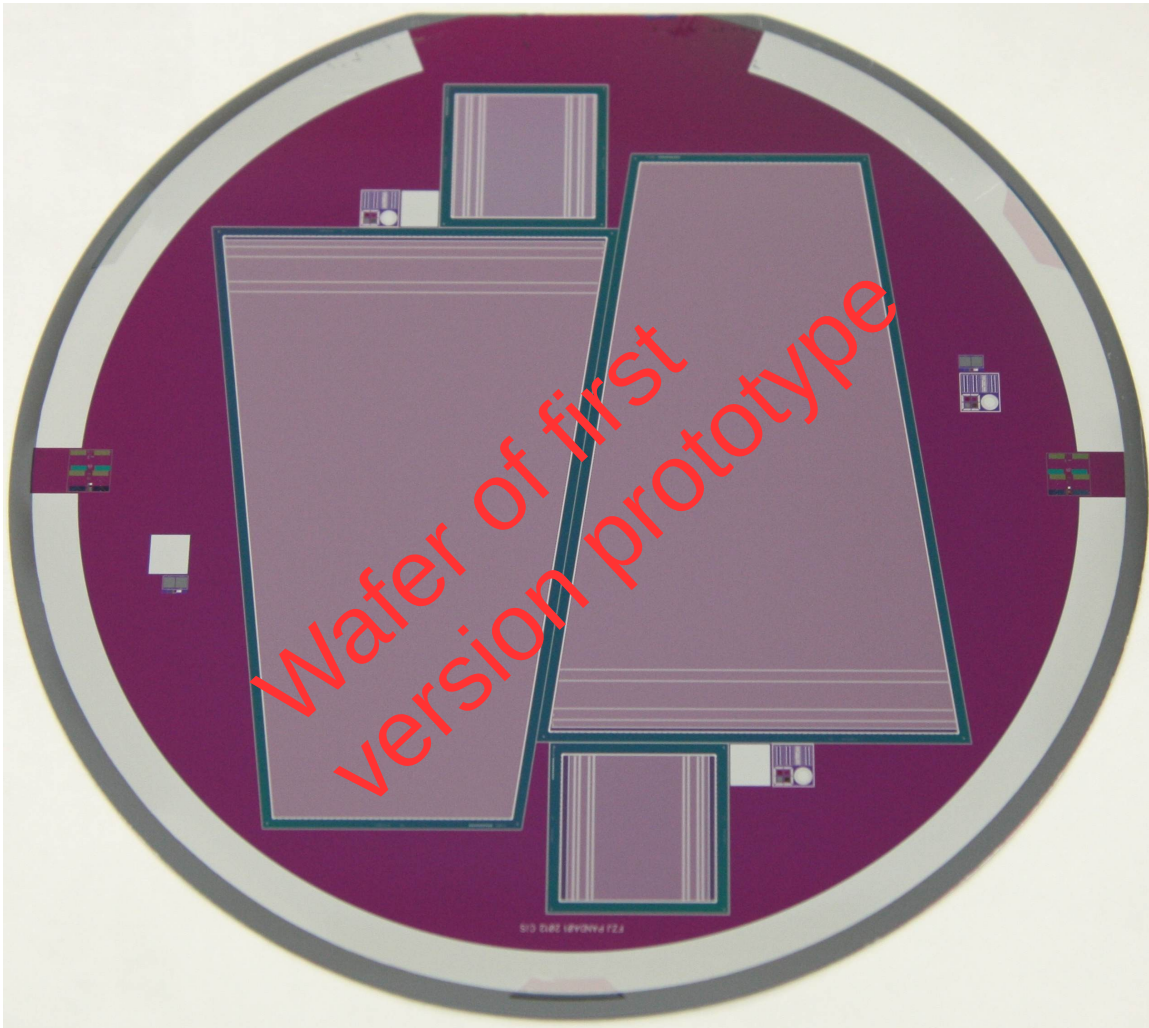
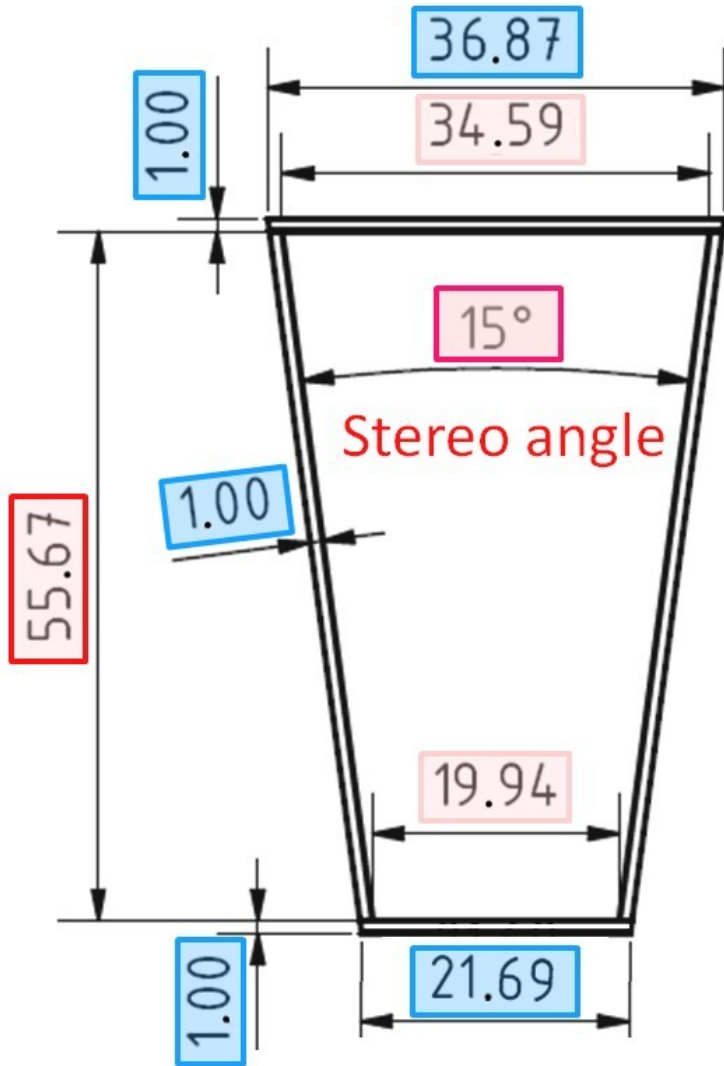


Update on Trapezoidal Sensors

2 full size Sensors + 2 “test sensors”



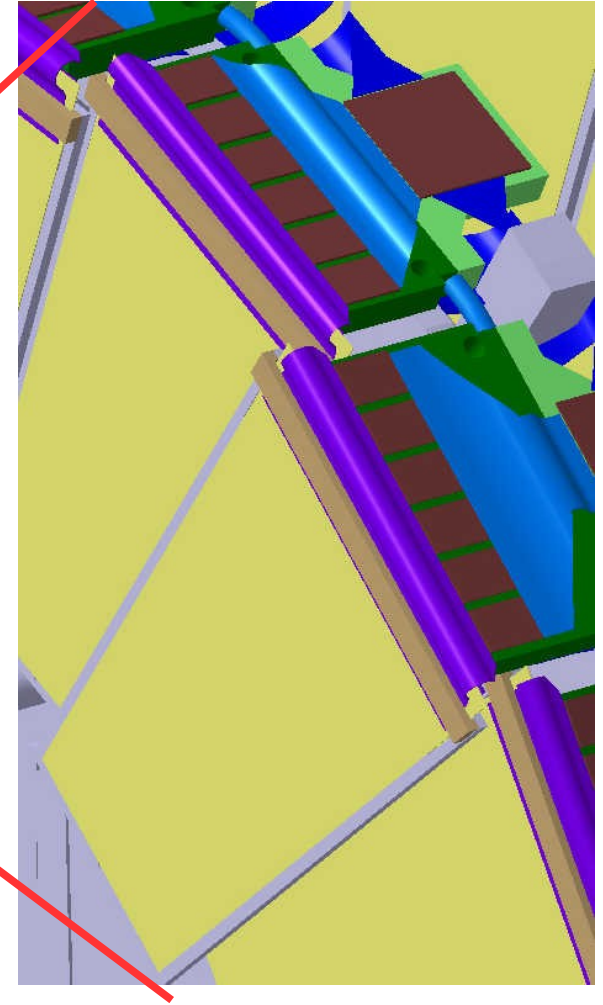
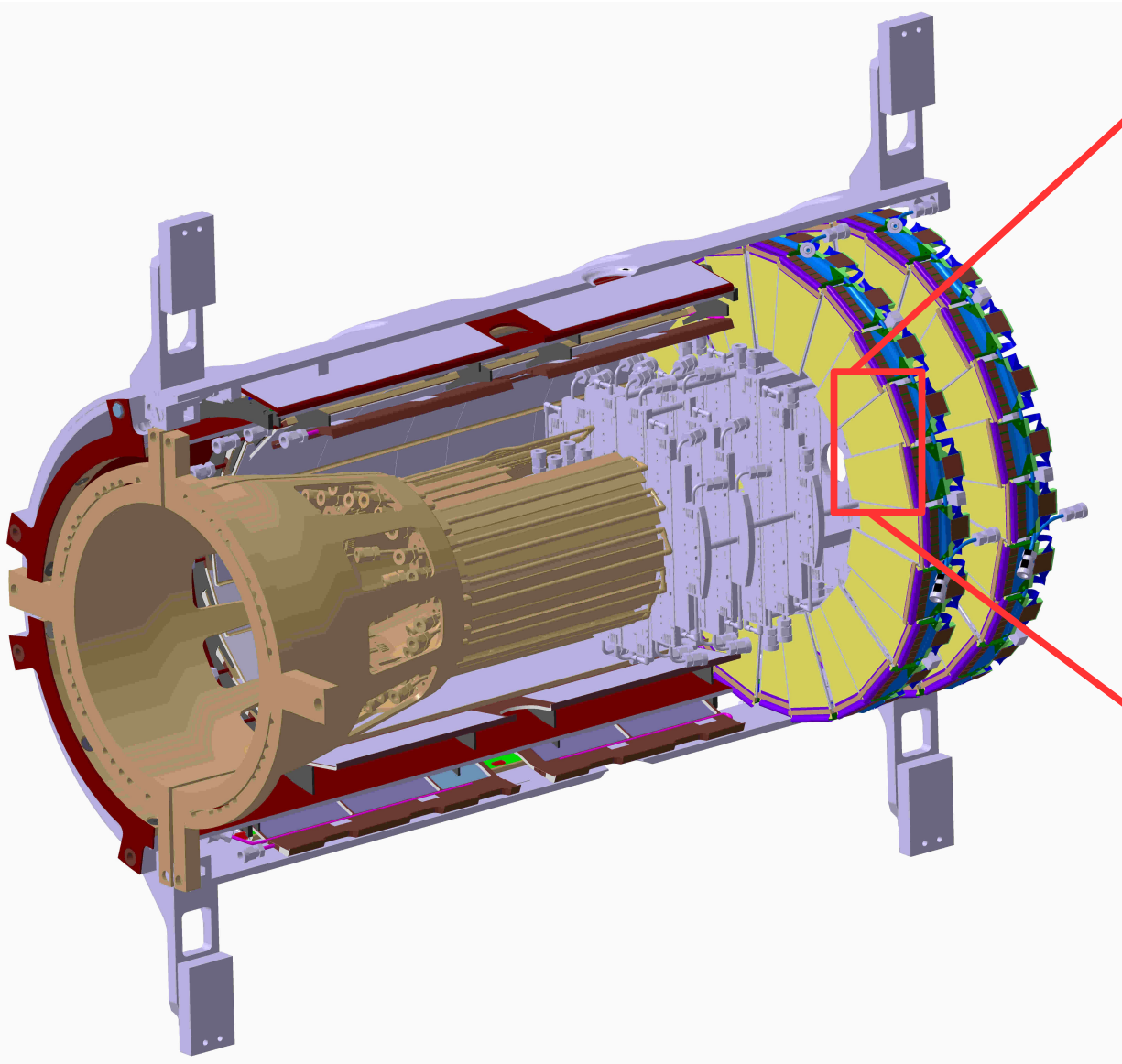
“old” design



- 512 strips per side
- 15° stereo angle
- 67.μm pitch
- Punch-through biasing
- P-spray n-side strip separation
- ~285μm thickness

The PASTA chip will have 64 channels, so we would need 8 for each sensor side.

Not enough space for 8 PASTA chip → new design!



New design

- **768** strips per side
- **1 floating strip** → 6 instead of 8 PASTA chips sufficient for readout
- 15° stereo angle
- **45μm** pitch (90um for readout)
- **Polysilicon** resistor biasing
- P-spray n-side strip separation
- ~285μm thickness

