

Interfaces to the PANDA-CJT

Magnet Coordination
Meeting
GSI
February 2013



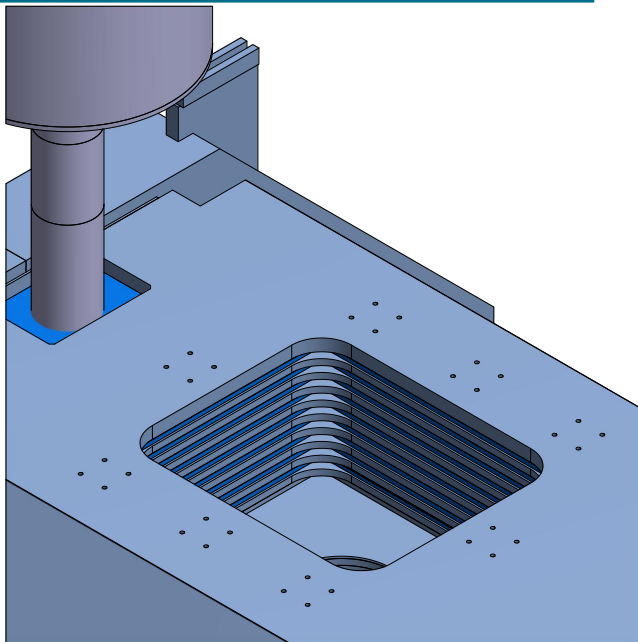
Bundesministerium
für Bildung
und Forschung



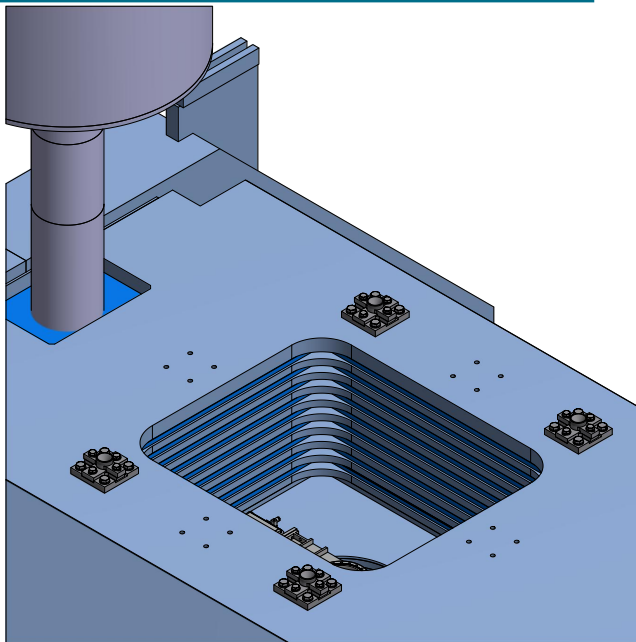
WESTFÄLISCHE
WILHELMS-UNIVERSITÄT
MÜNSTER

Alexander Täschner
(taschna@uni-muenster.de)

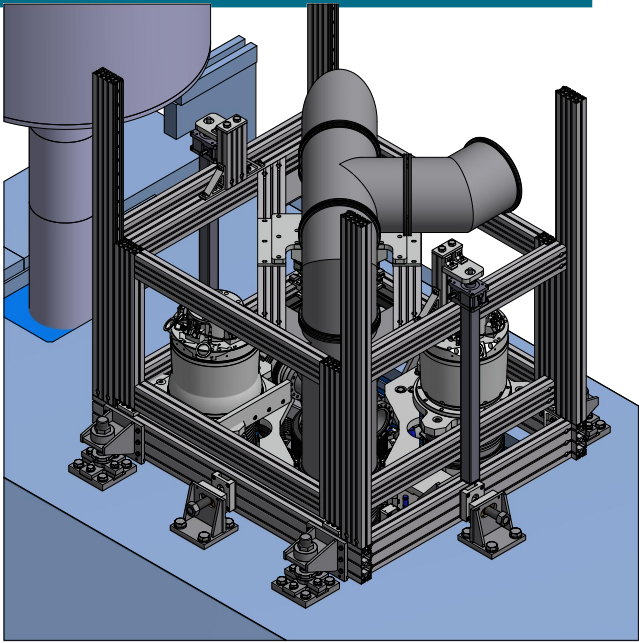
Interface to the cluster source — drill pattern



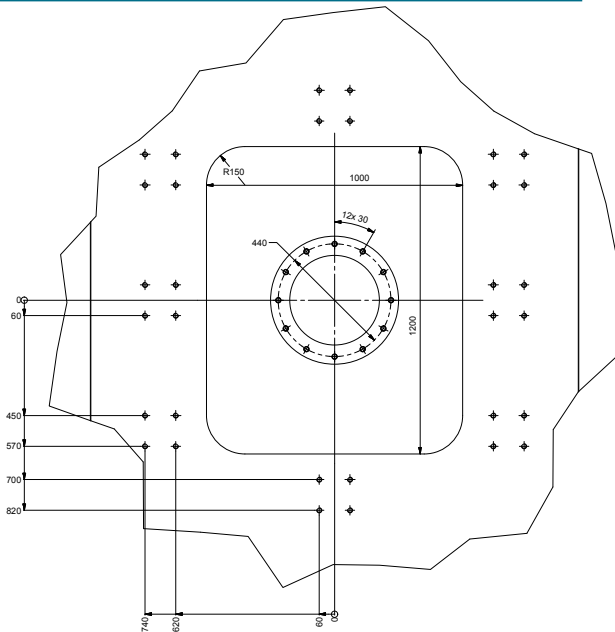
Interface to the cluster source — mounting plates



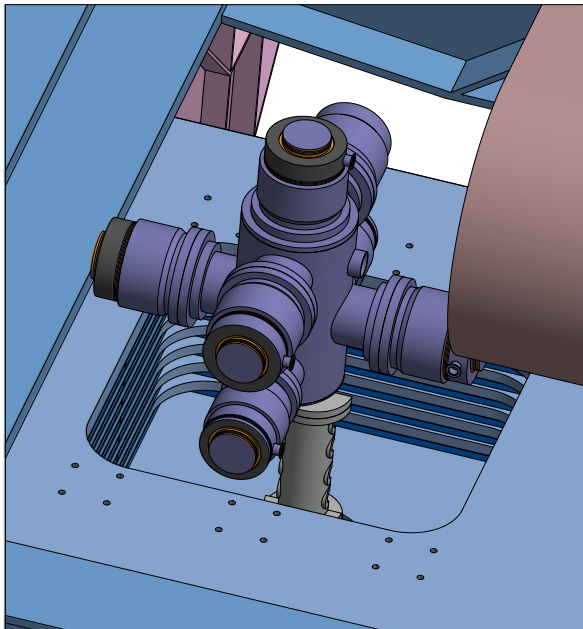
Interface to the cluster source



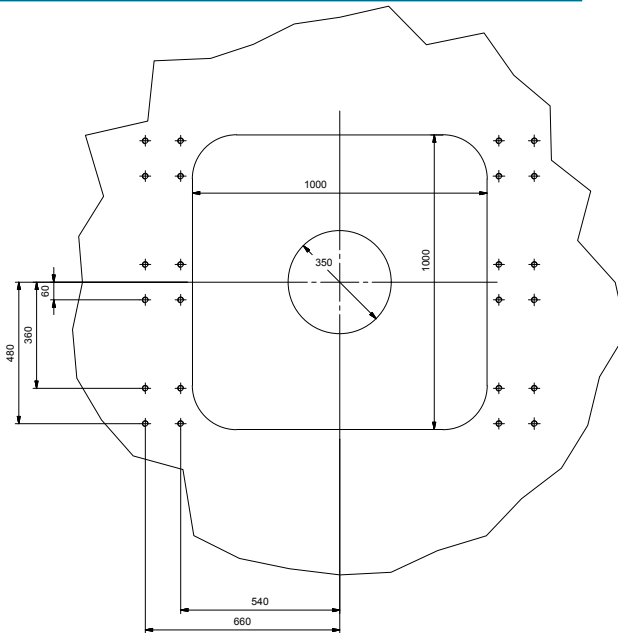
Proposed drill pattern for the target source



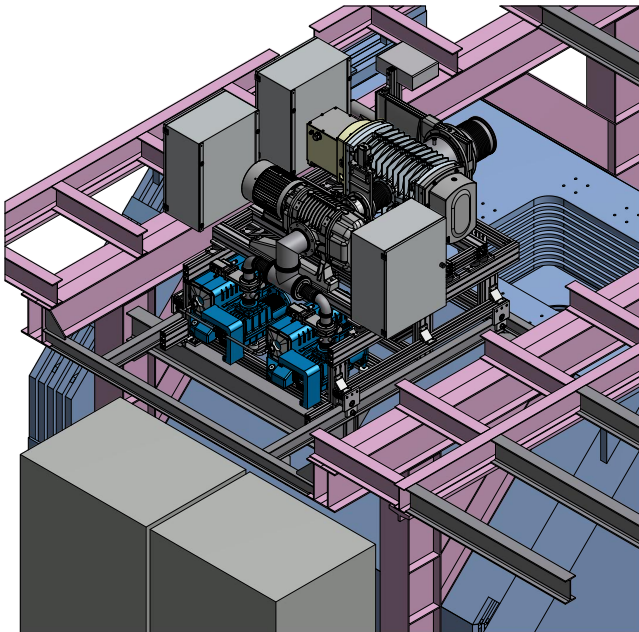
Interface to the beam dump



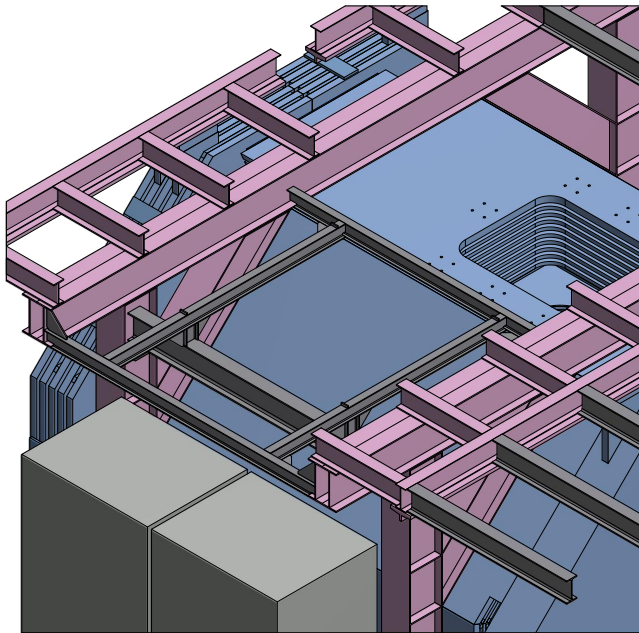
Proposed drill pattern for the beam dump



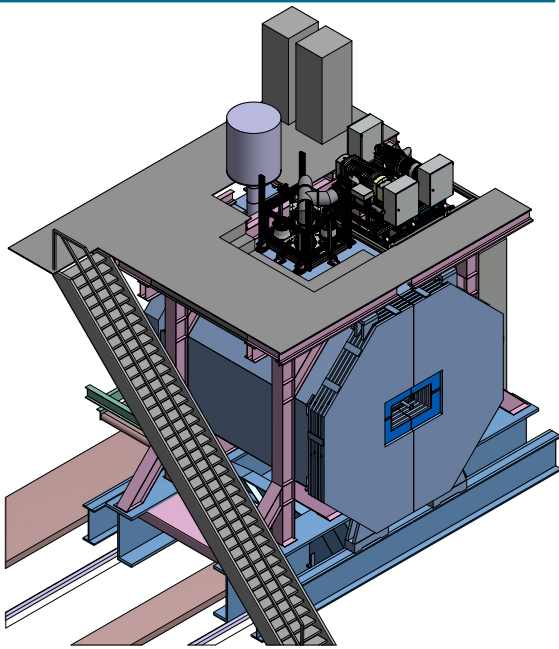
Placement of the pumping system



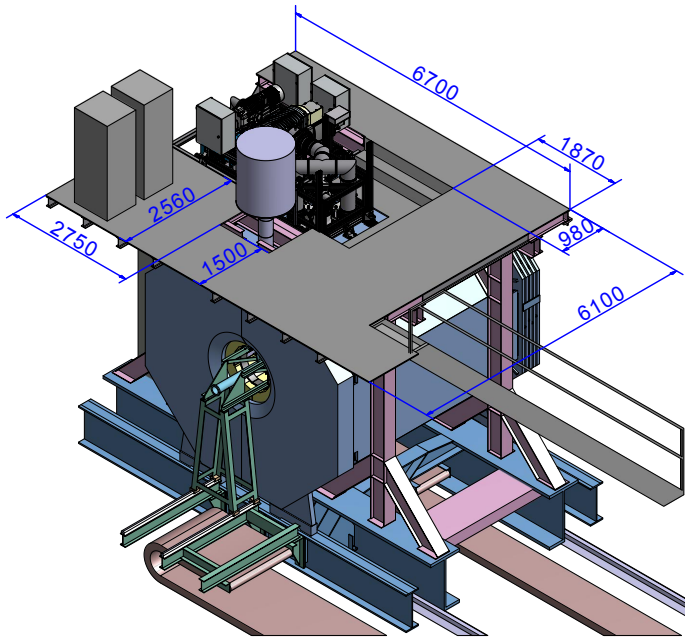
Placement of the pumping system – frame



Platform



Platform — specifications



Modifications of the support frame

