

Table 1. Design goals for the TRT Front End electronics.

Peaking Time for Track Detection	7.5 ns
Peaking time for TR photon detection	10 ns
Double Pulse Resolution	< 25 ns
Intrinsic Electronics Noise	< 0.3 fC rms
Operational Track Disc. Threshold	2 fC
Maximum Threshold for TR photons	120 fC
10 year Neutron exposure	$3 \times 10^{14}/\text{cm}^2$
Total Dose (10 year) Ionizing Radiation	5 Mrad

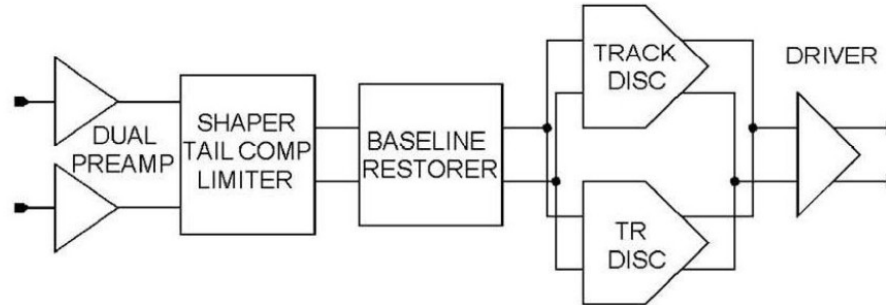


Figure 2. Block Diagram of one channel of the ASDBLR