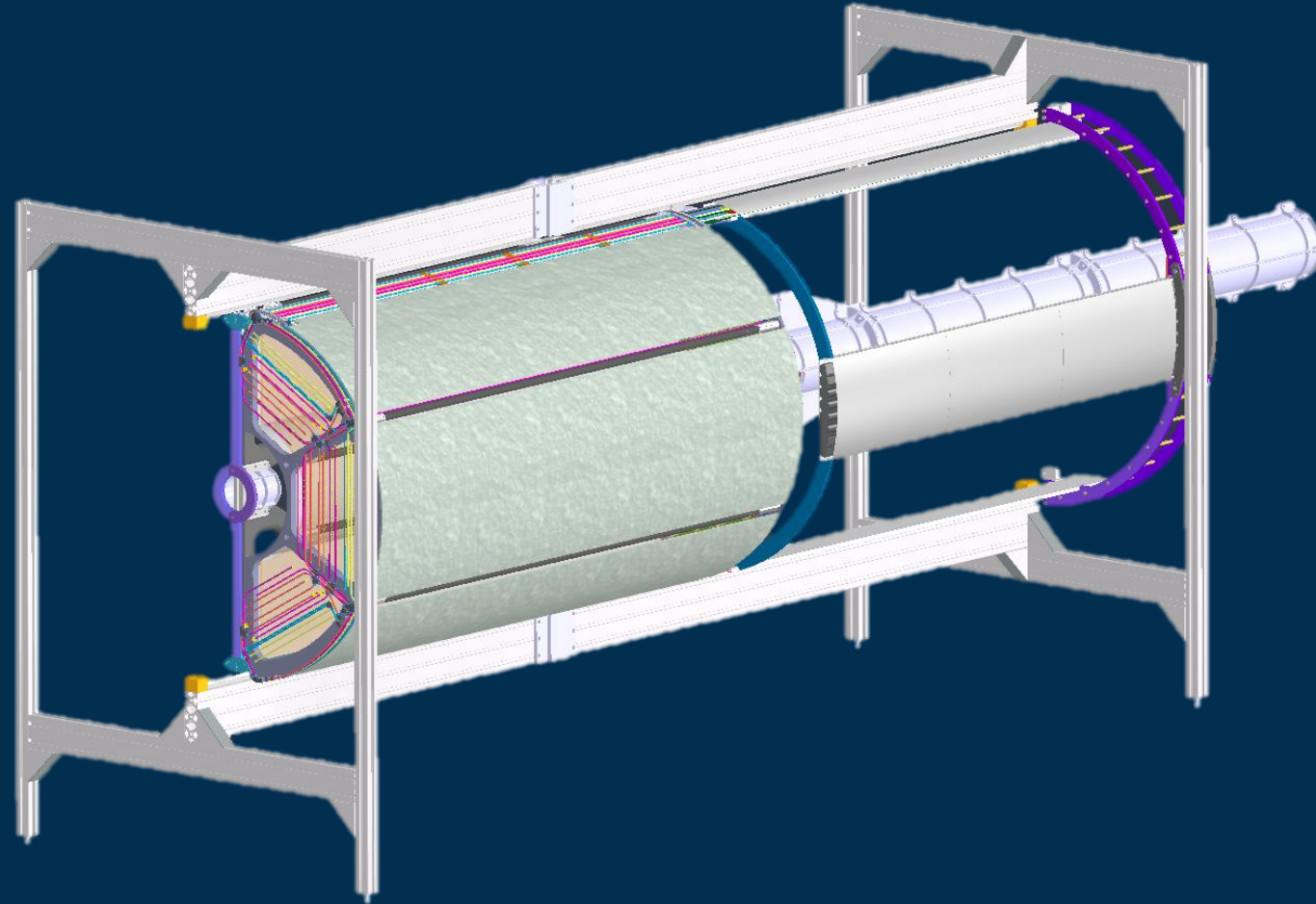


# STT - NEWS

15.09.2022 | ARTUR DERICHS

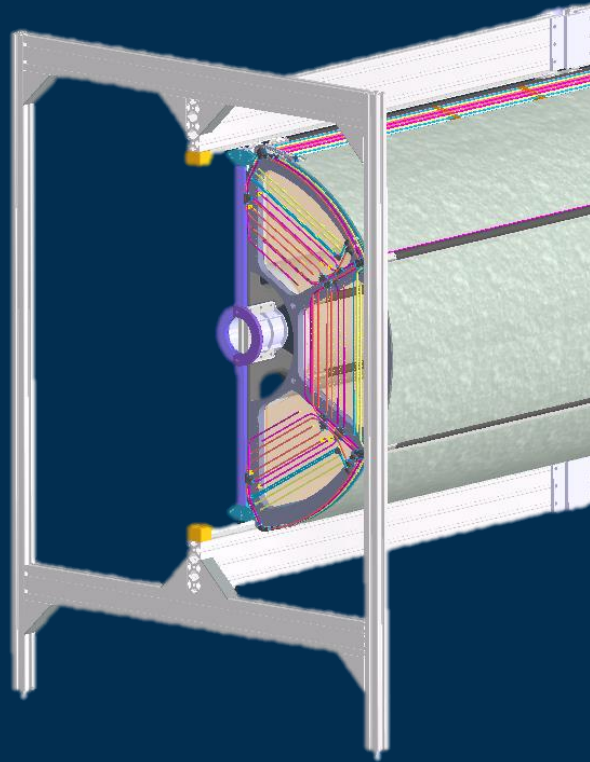
# STT-UPDATE



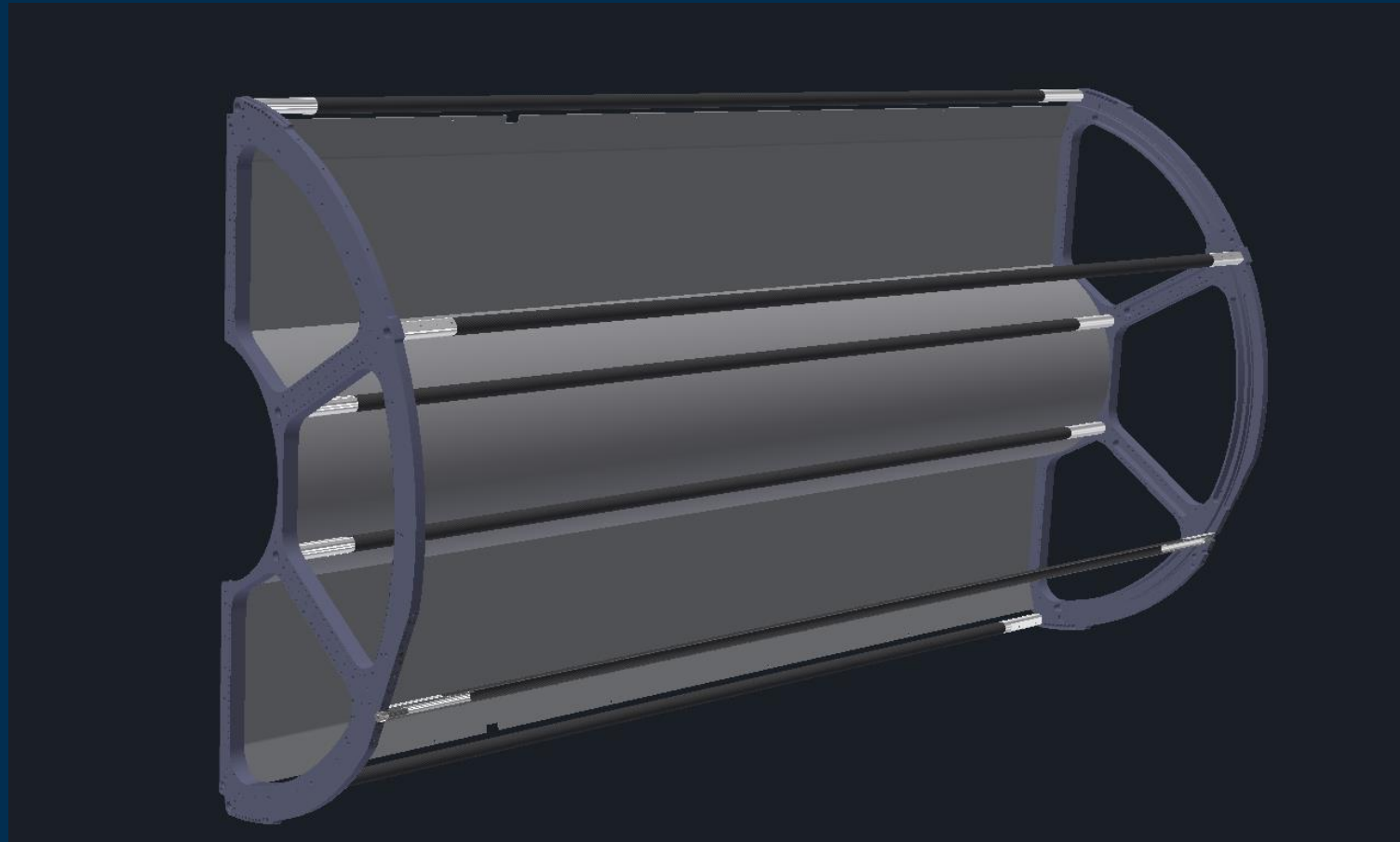
# STT-UPDATE



# STT-UPDATE

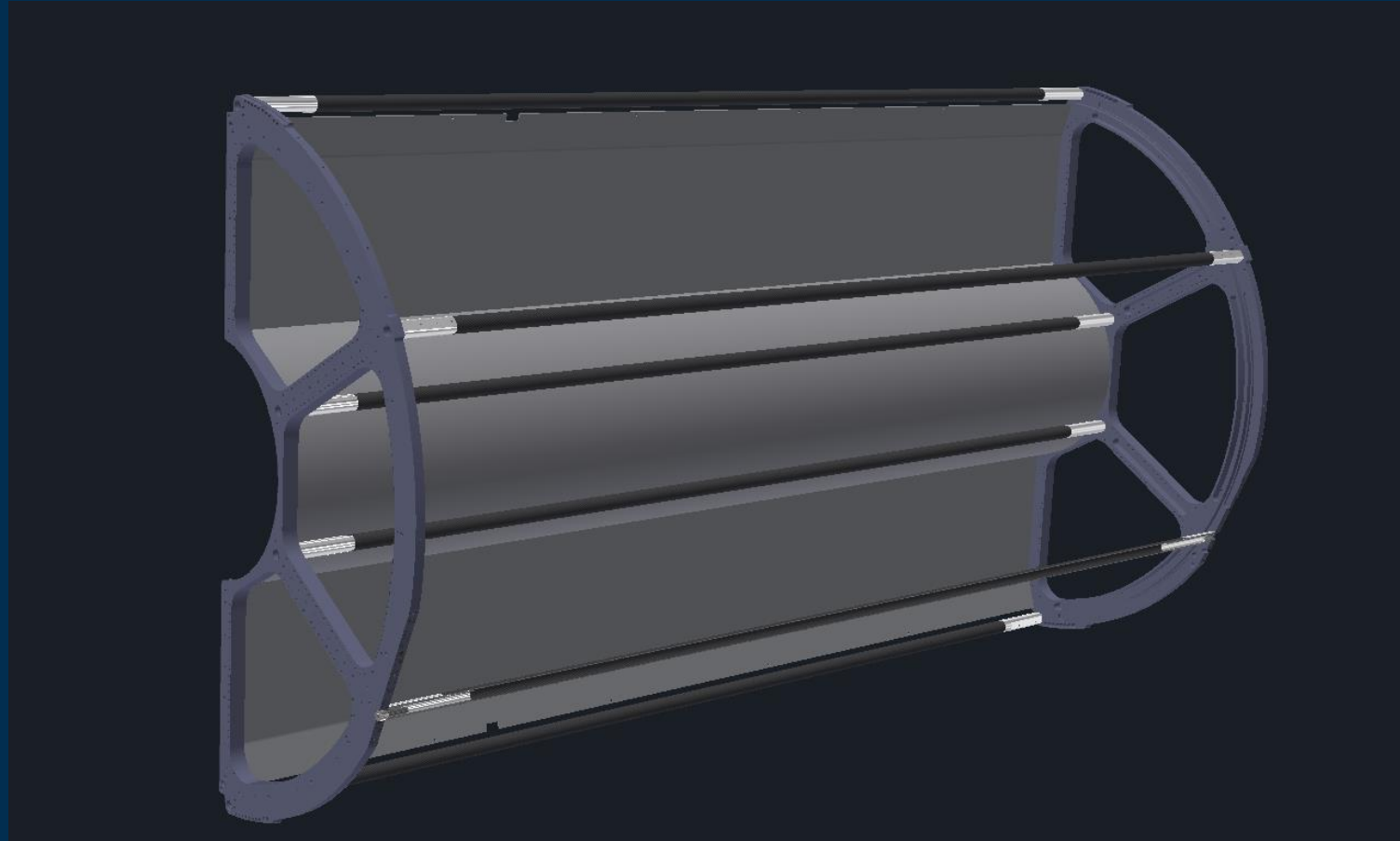


# STT-BARS

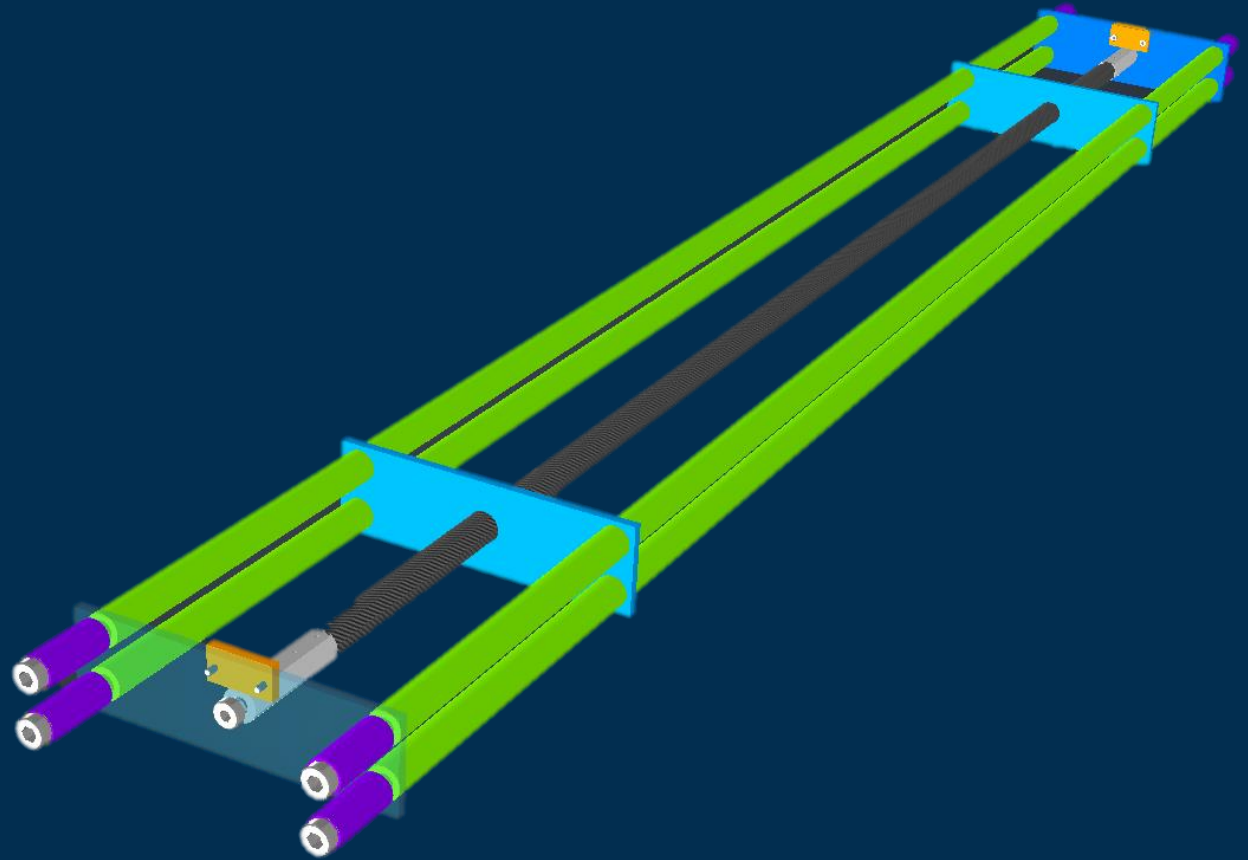
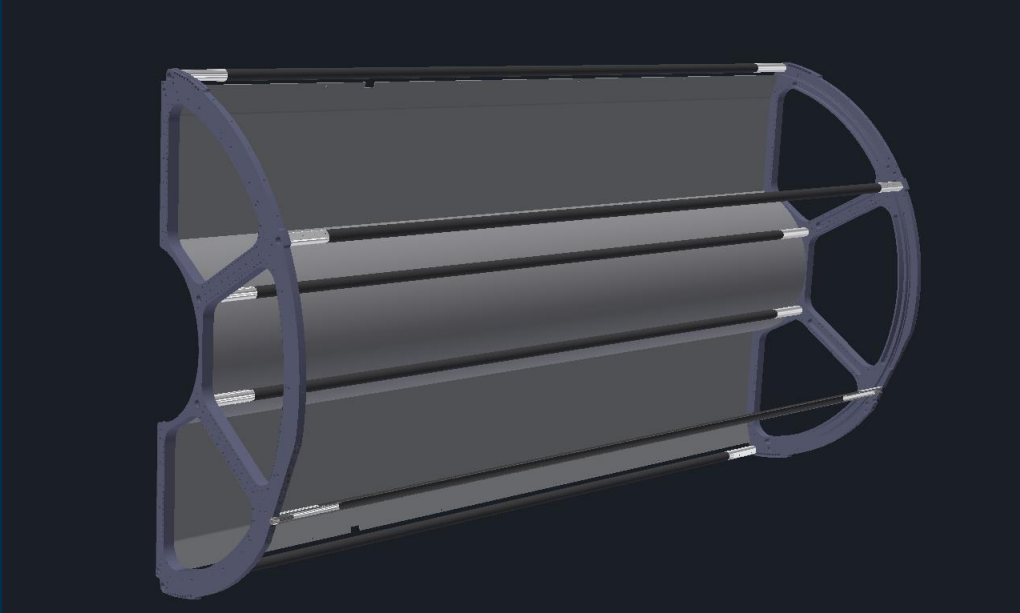




# STT-BARS-TOOL

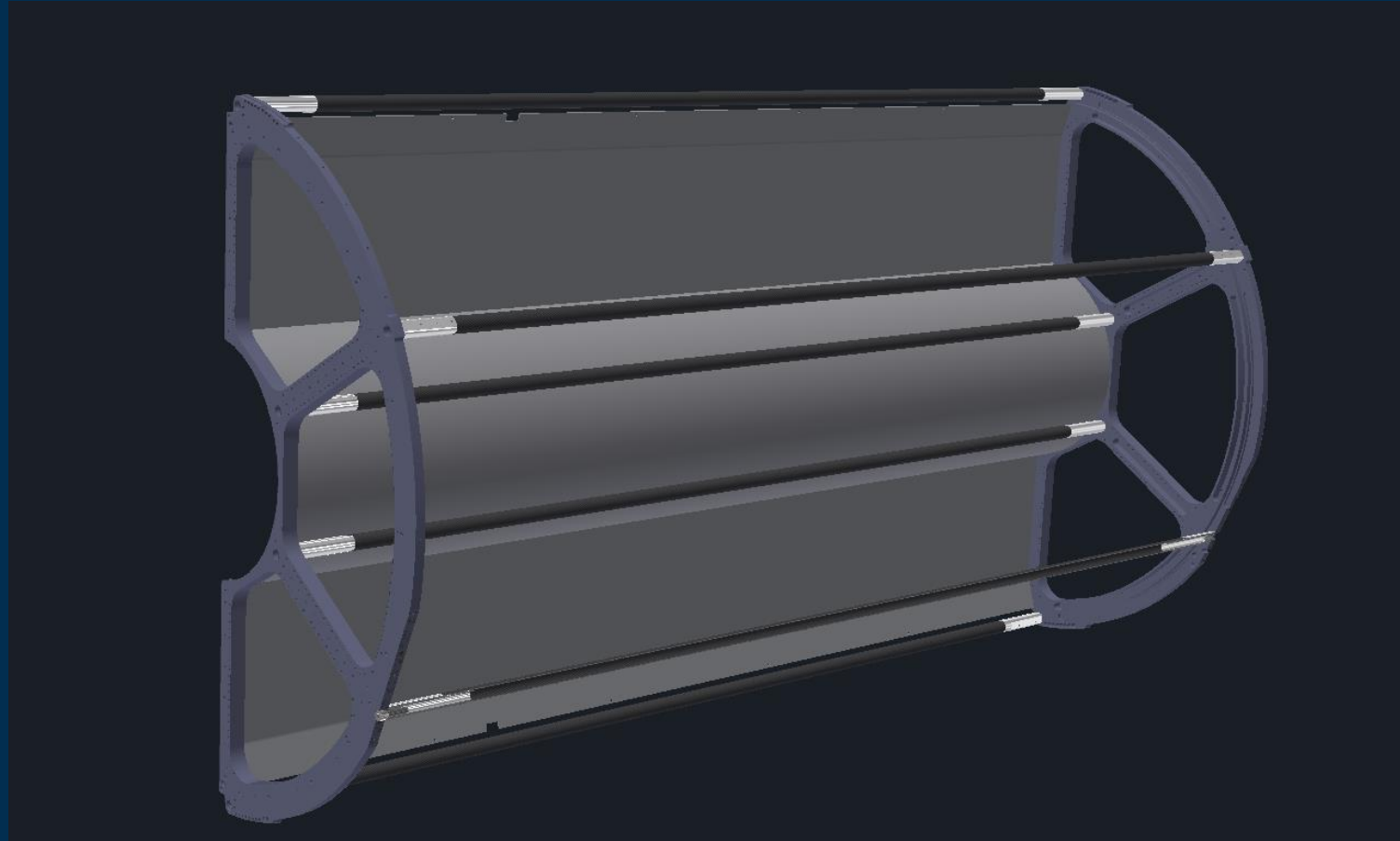


# STT-BARS-TOOL

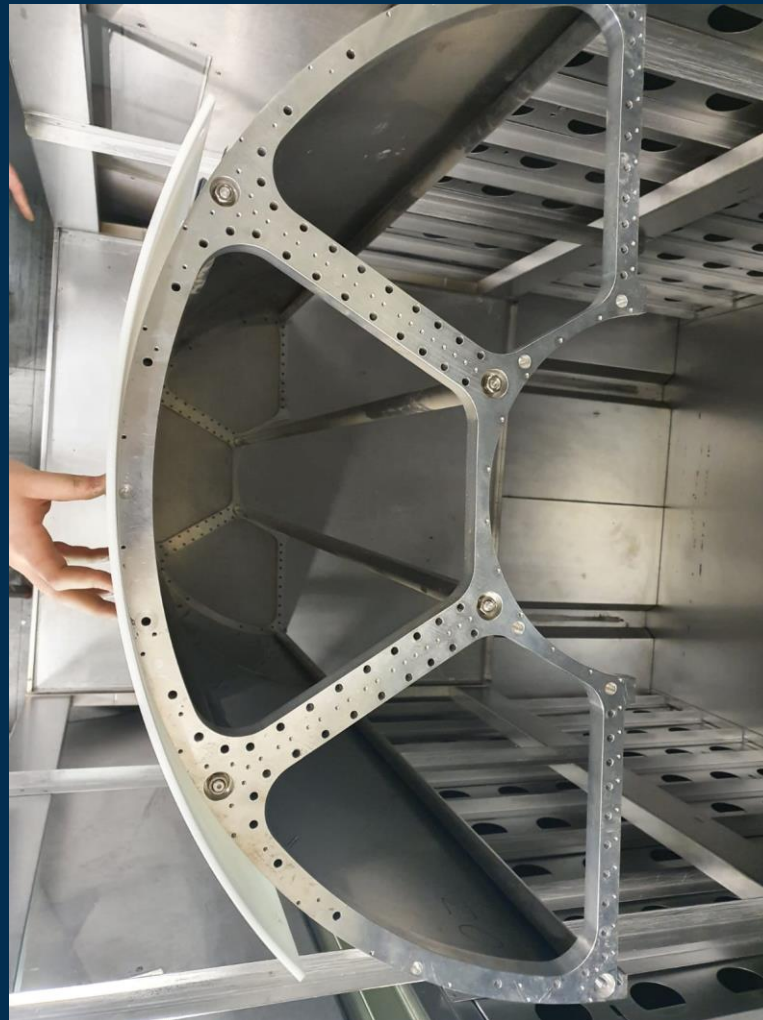




# STT-PROTECTION SKIN



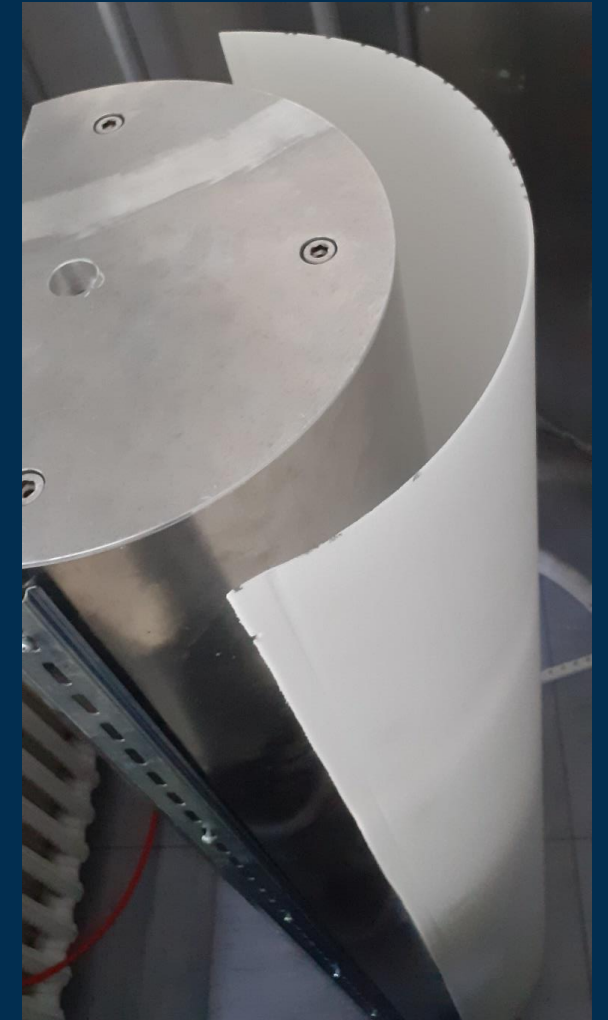
# PROTECTION-SKIN OUTER LAYER



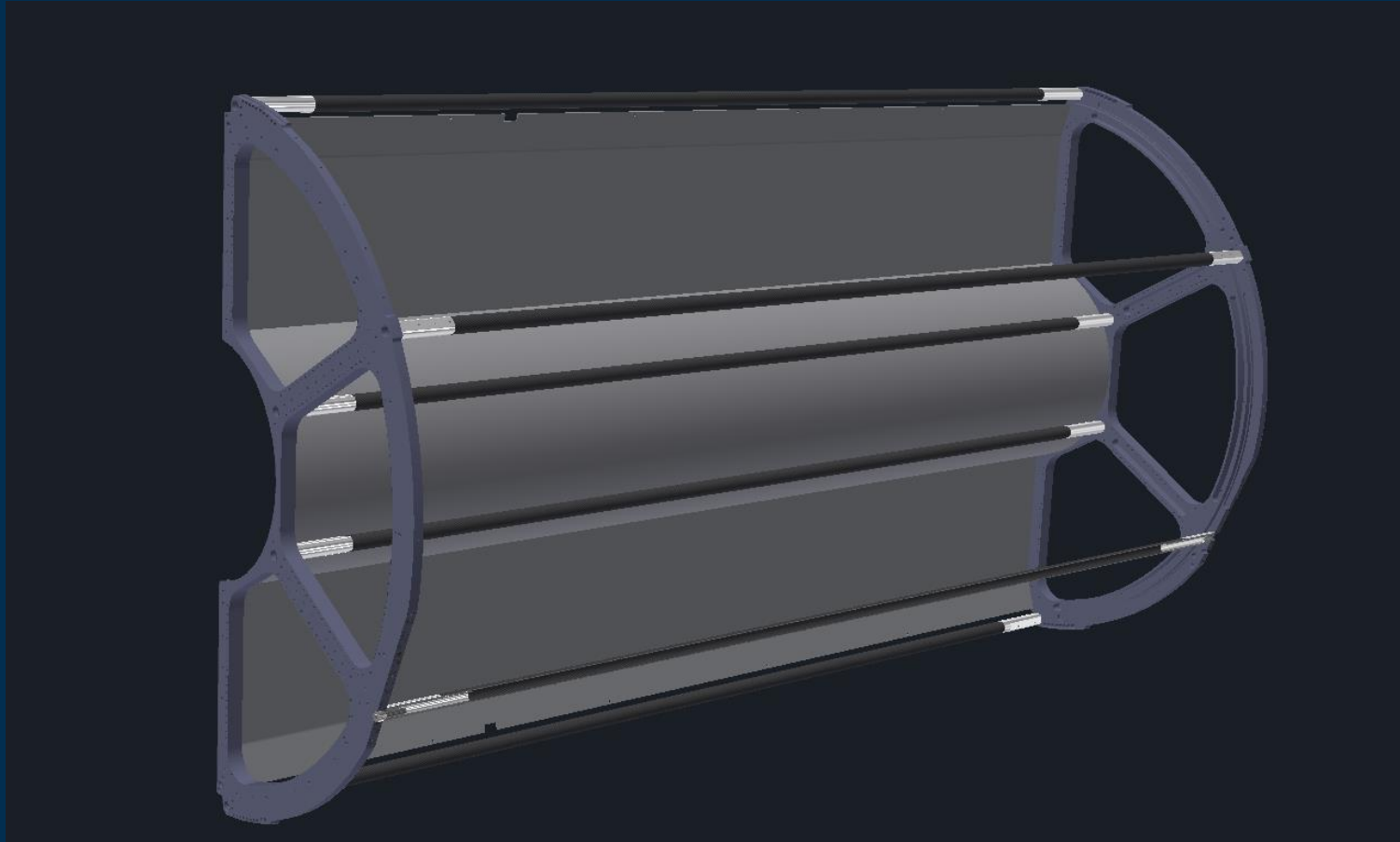
# PROTECTION\_SKIN



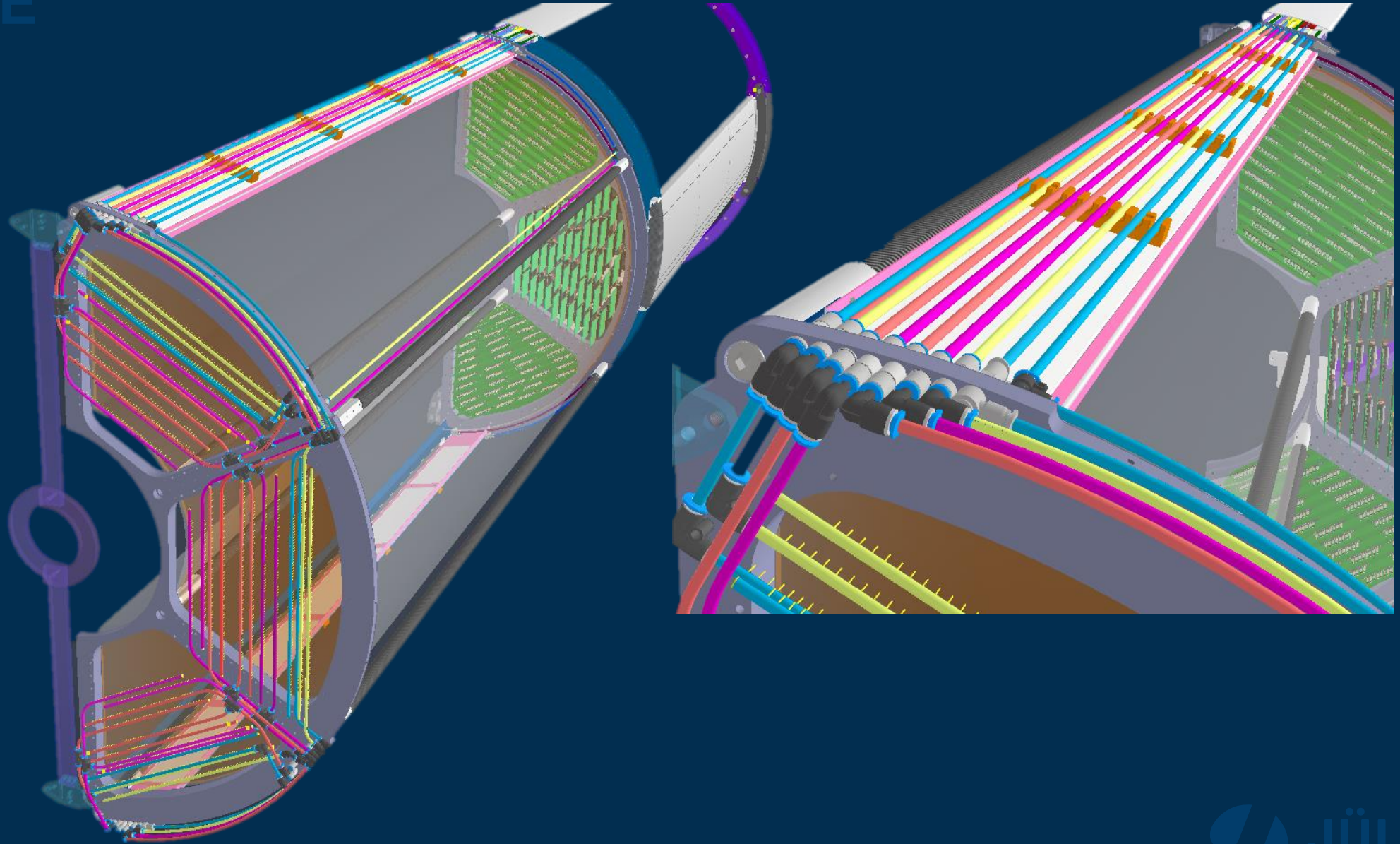
# PROTECTION-SKIN INNER LAYER



# FLANGE



# FLANGE



# FLANGE\_READOUT

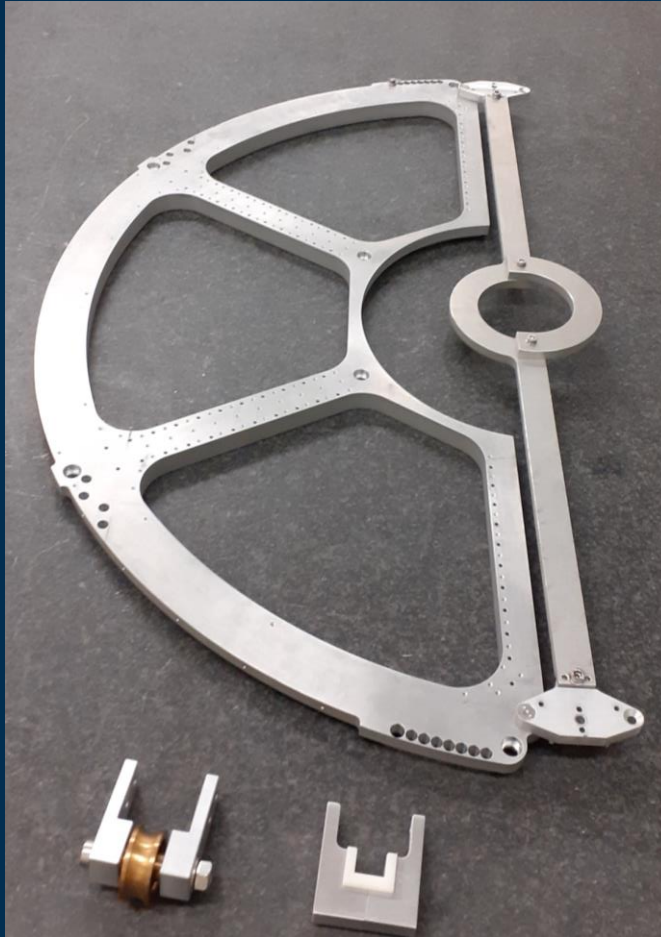


# FLANGE\_GAS





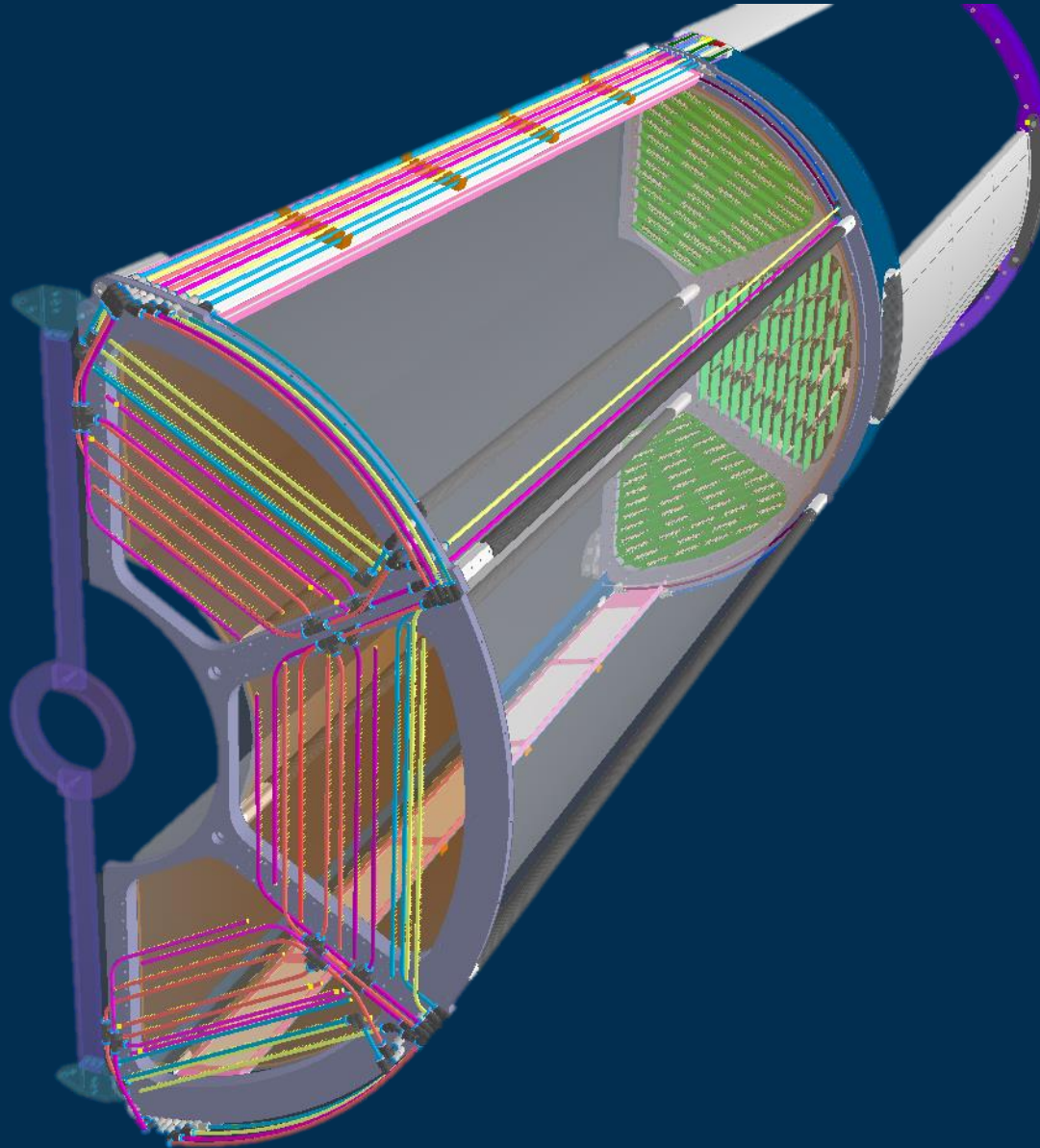
# FLANGE\_GAS



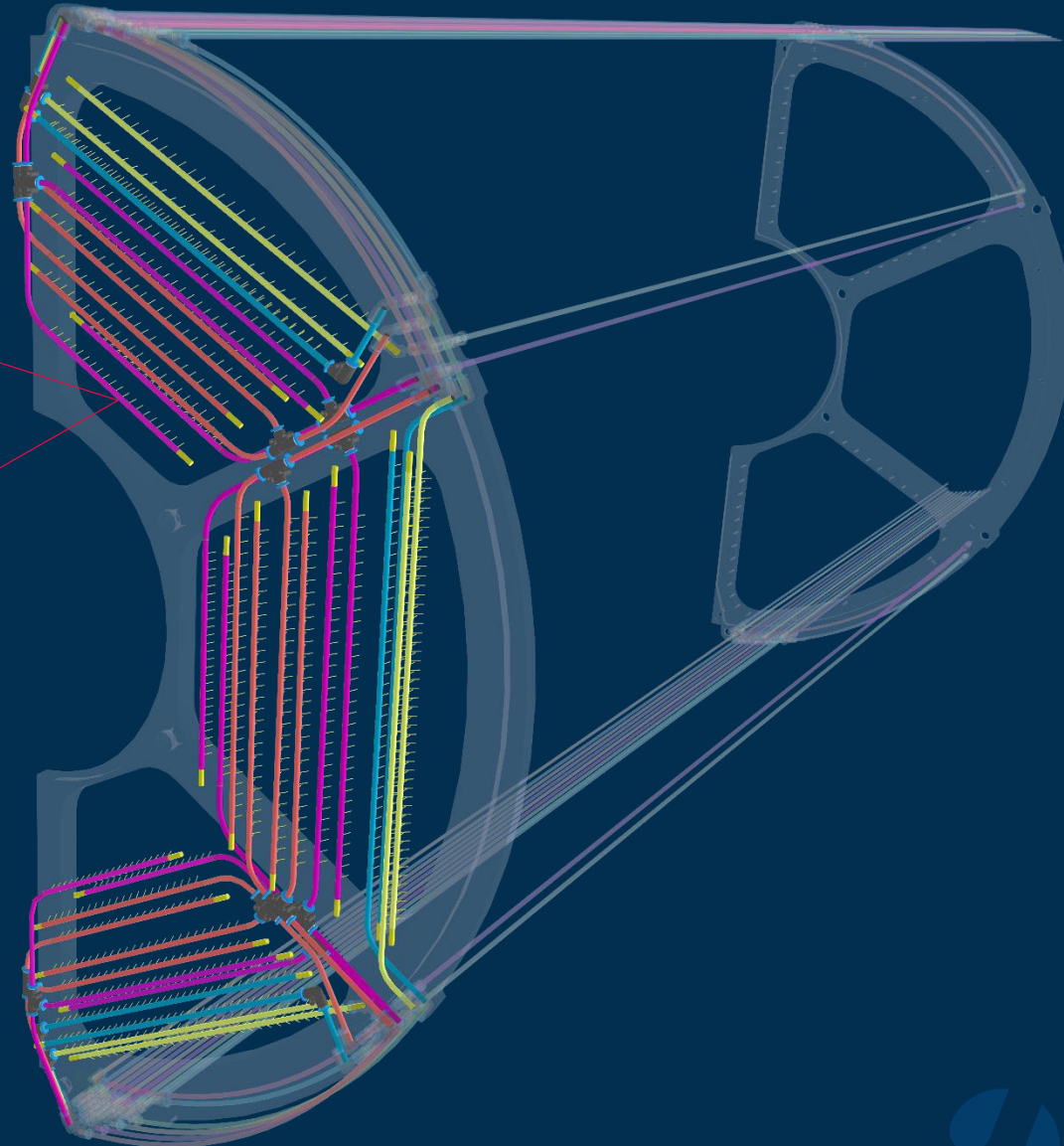
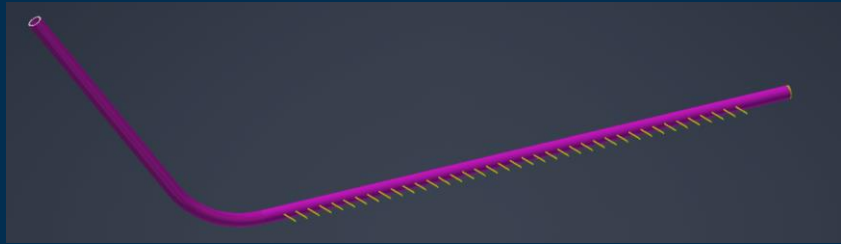
# FLANGE\_GAS



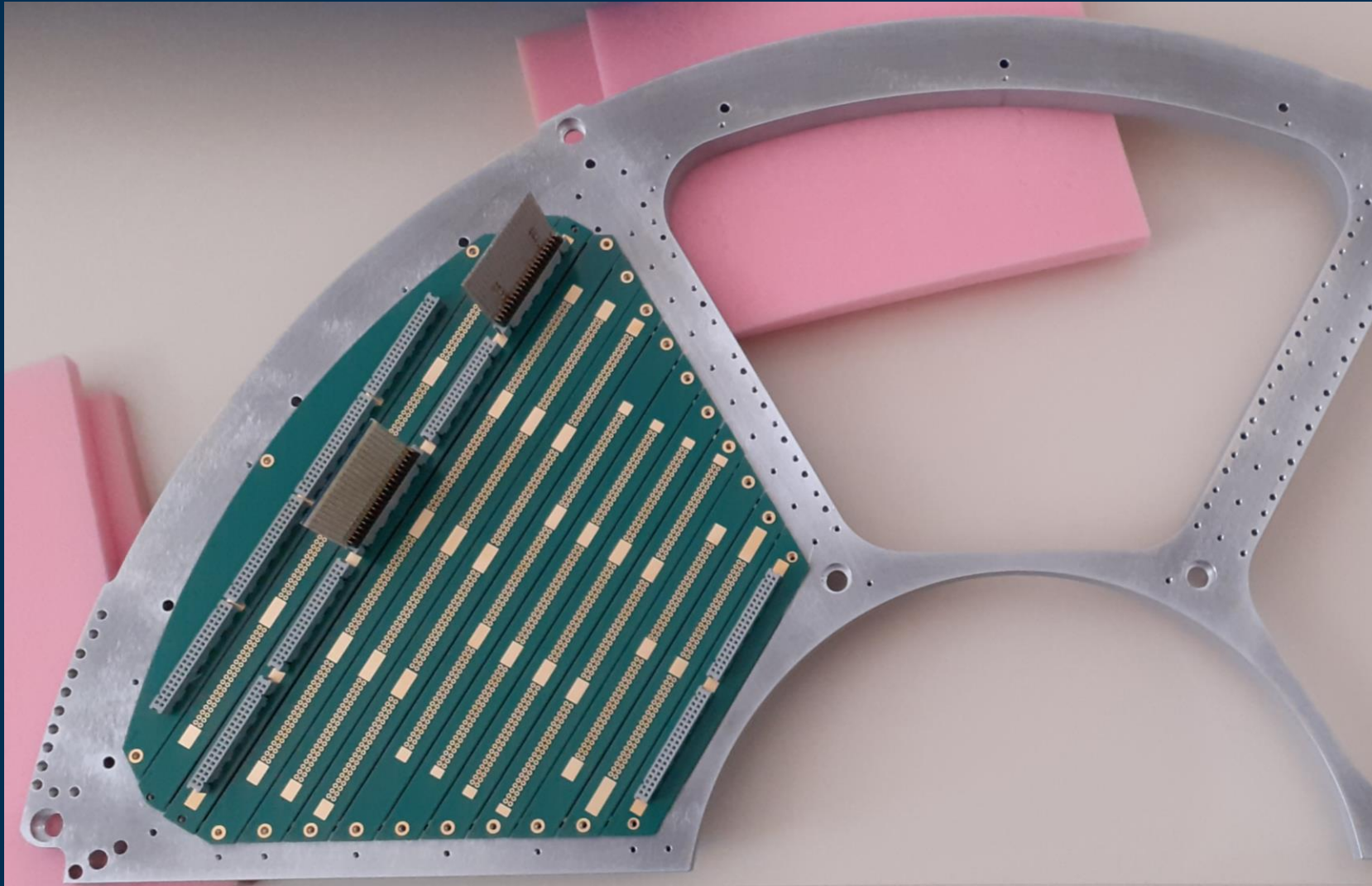
# FLANGE



## II a) STT-INTERNAL GASLAYOUT V2.0



# FLANGE\_READOUT



# HV-TEST AFTER CABLING....



**THANKS**