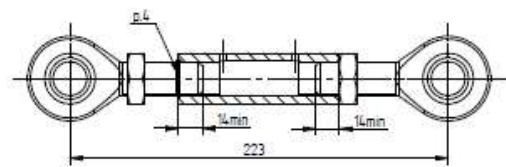
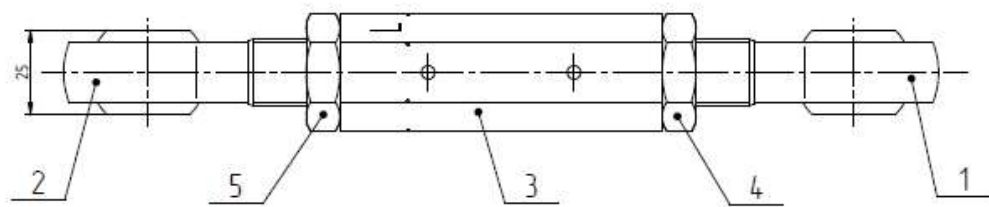
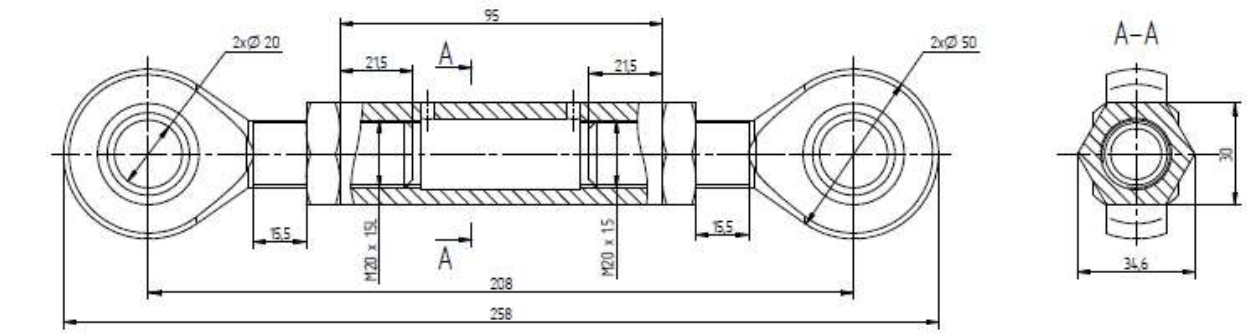


Six strut

11.11.2021

7th BINP-FAIR Collaboration Coordination Workshop

FHTS KH028 050000AS_A

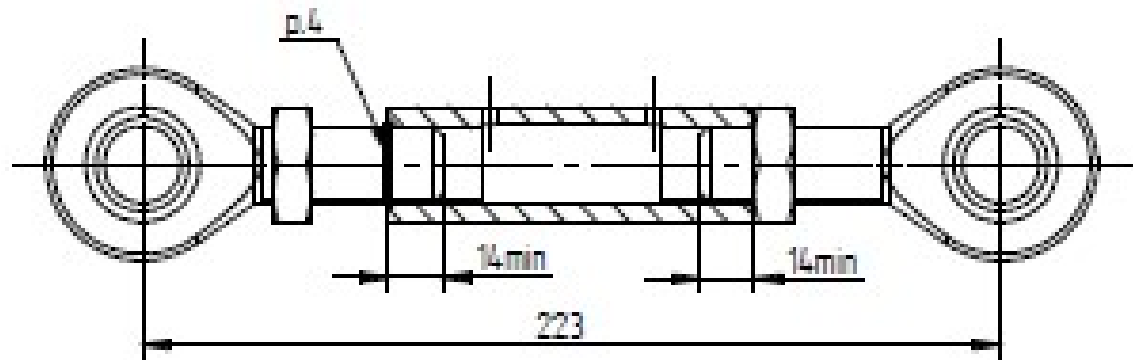


1. Reference dimensions.
2. The risk on the part number 3 indicates the left thread.
3. Adjustment range ± 15 mm.
4. Mark the minimum adjustment range with paint.

					FHTS KH028 050000AS_A		
					Turnbuckle		
					Assembly drawing		
Rev	Sheet	Docum No	Signat	Date	Letter	Mass	Scale
						1.17	1:1
Designed		I.Poleznev		11/2021			
Checked		A.Sukhanov		11/2021			
Approved		I.Morozov		11/2021			
					Sheet	1 of	1

Turnbuckle

- Check marks for minimum depth w.r.t. central nut
- Screw in depths different to manufacturers rules → safe working to be proven



Example check marks

