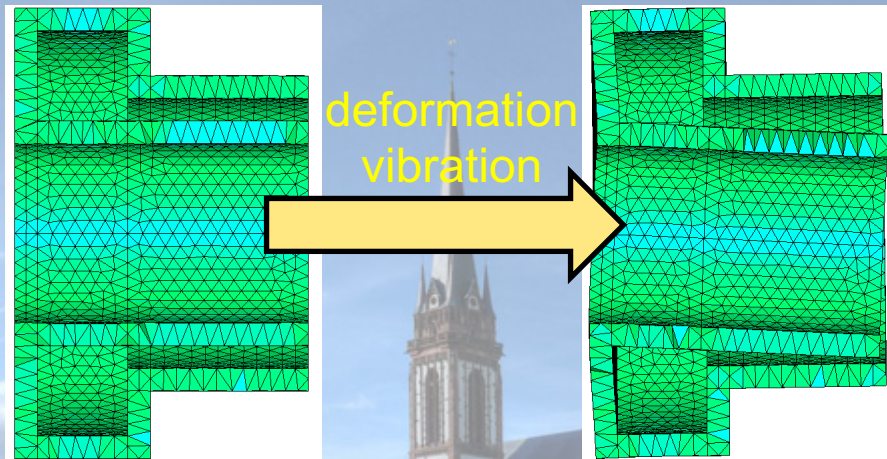


Electromagnetic Fields Affected by Vibration and Deformation



TECHNISCHE
UNIVERSITÄT
DARMSTADT

Nicolas Marsic, Herbert De Gersem



Simulation toolchain
(based on Gmsh + own tools):

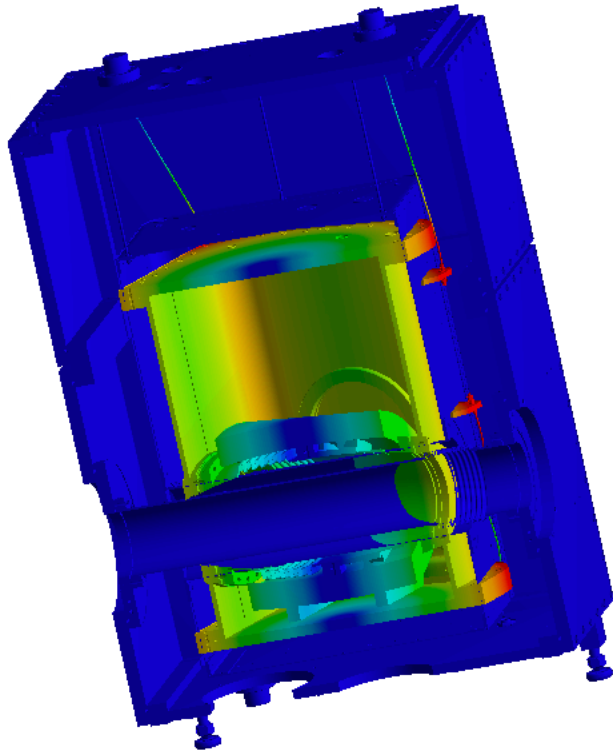
- mechanical eigenmodes
- external sources
- Lorentz forces

- mesh morphing
+ curved elements

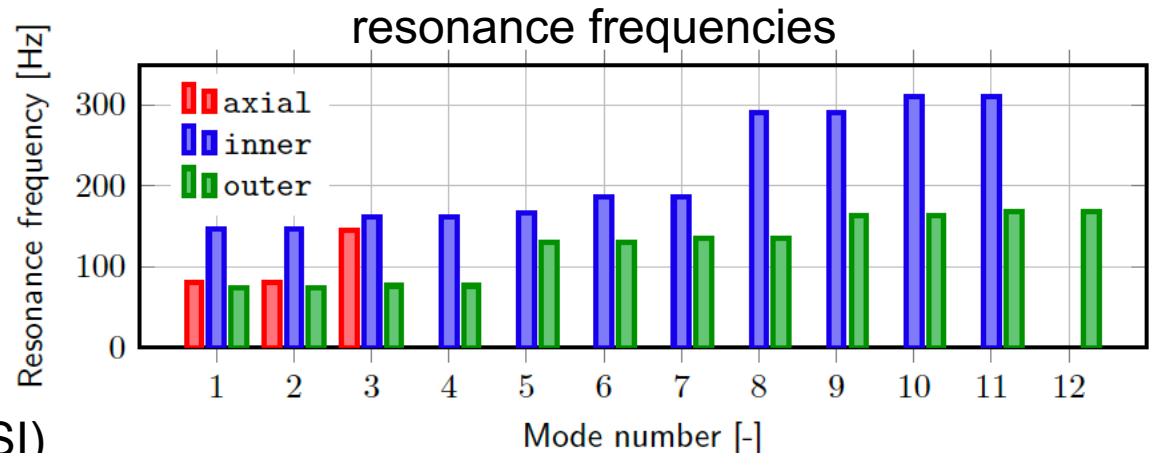
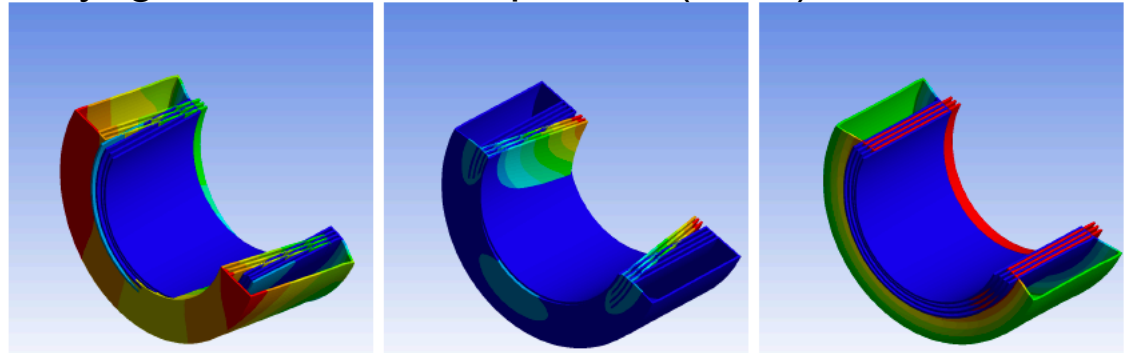
- electromagnetic fields
- inductances, voltages, ...

Cryogenic current comparator (CCC)

cryostat



cryogenic current comparator (CCC) -- deformation



+ D. Haider, T. Sieber et al. (GSI)
+ J. Golm, V. Tympel, T. Stoehlker et al. (Jena)