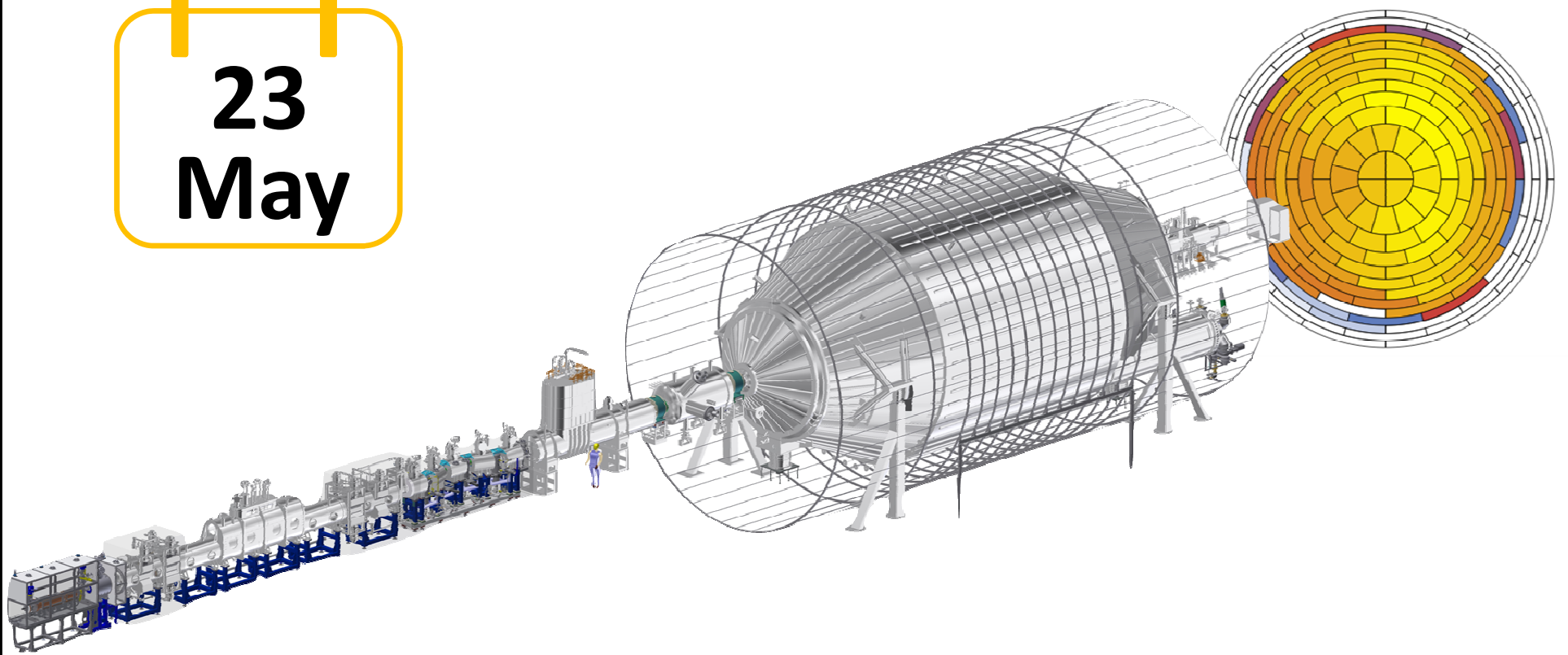


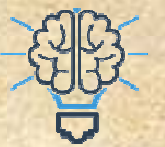
GSI-FAIR Colloquium

Status and prospects of direct neutrino mass determination

23
May



Status and prospects of direct neutrino
mass determination



Kathrin Valerius, KIT Karlsruhe



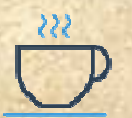
Tuesday, 23 May, 2017 at 16:15 Hrs



Main Lecture Hall (Großer Hörsaal), GSI



Tea and Cookies will be available from 15:45 Hrs



B.Friman@gsi.de and S.Masciocchi@gsi.de



more information: <http://www.gsi.de/colloquium>

