



Forward Endcap EMC Mechanics

PANDA Collaboration Meeting 19/2, GSI, Darmstadt, 2019

Thomas Held

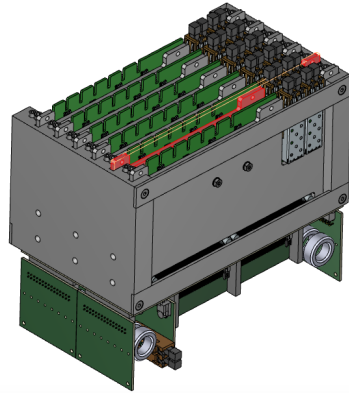
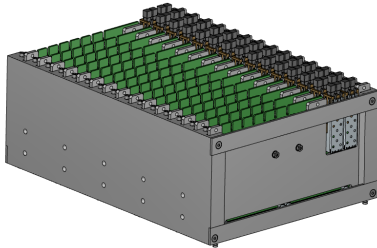
Ruhr-Universität Bochum
Institut für Experimentalphysik I

Forward Endcap Cooling

- New concept of filling cooling circuit by means of vacuum pump rather than bleeding valves on top of detector
- Cooling circuit (backplane cutout) mock-up from KVI:
 - ▶ Test of evacuation based filling
 - ▶ Test of flow control by calibrated drilled shims according to Claudius' coolant flow simulation

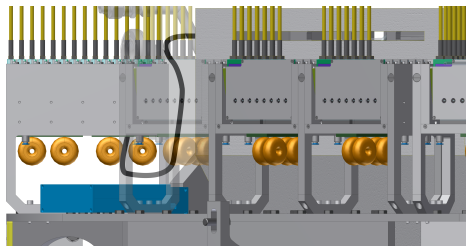
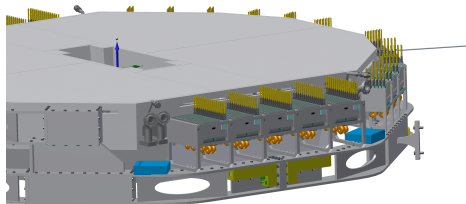
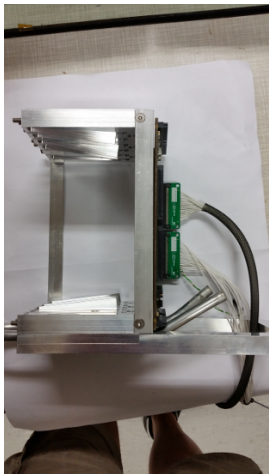


SADCs: Crates, Cabling



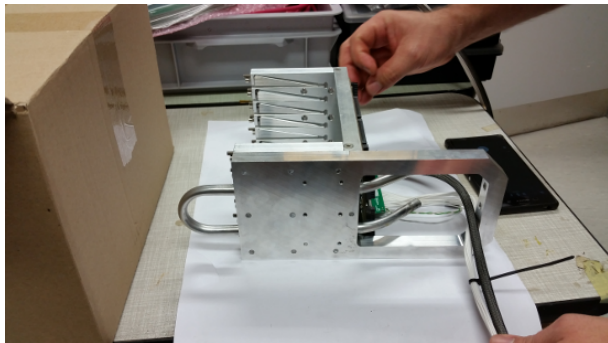
- Modified SADC crate design (KVI) as of March
- More modification necessary: Cooling flange extensions to power supply PCBs

SADCs: Crates, Cabling



- Space for cabling (by hand!) and routing!

SADCs: Crates, Cabling



- Cable-PCB guides/locks and/or strain reliefs for cable bundles need to be added
- Cabling tests at forward endcap w/ modified crate mock-up and real backplane foreseen for next week (Christoph) in order to check cable length estimations