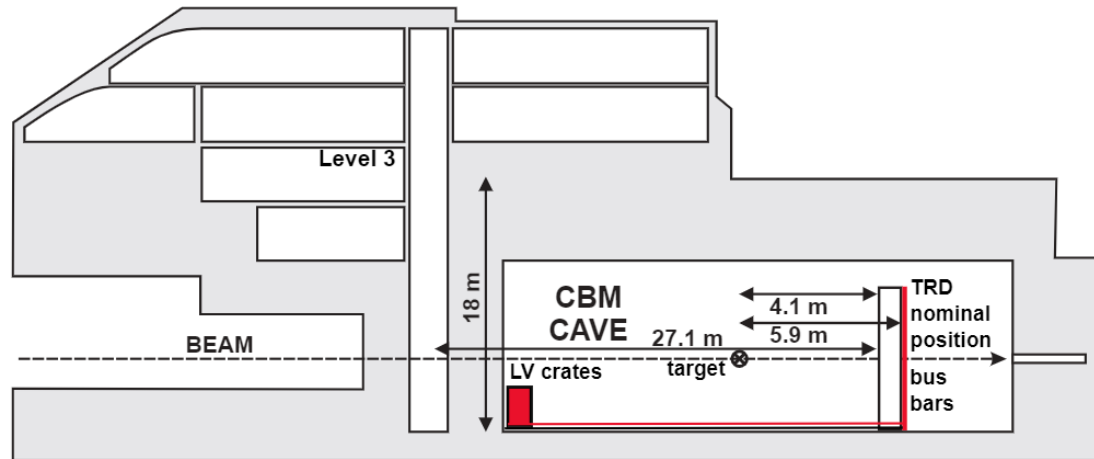


Low Voltage Power Supply

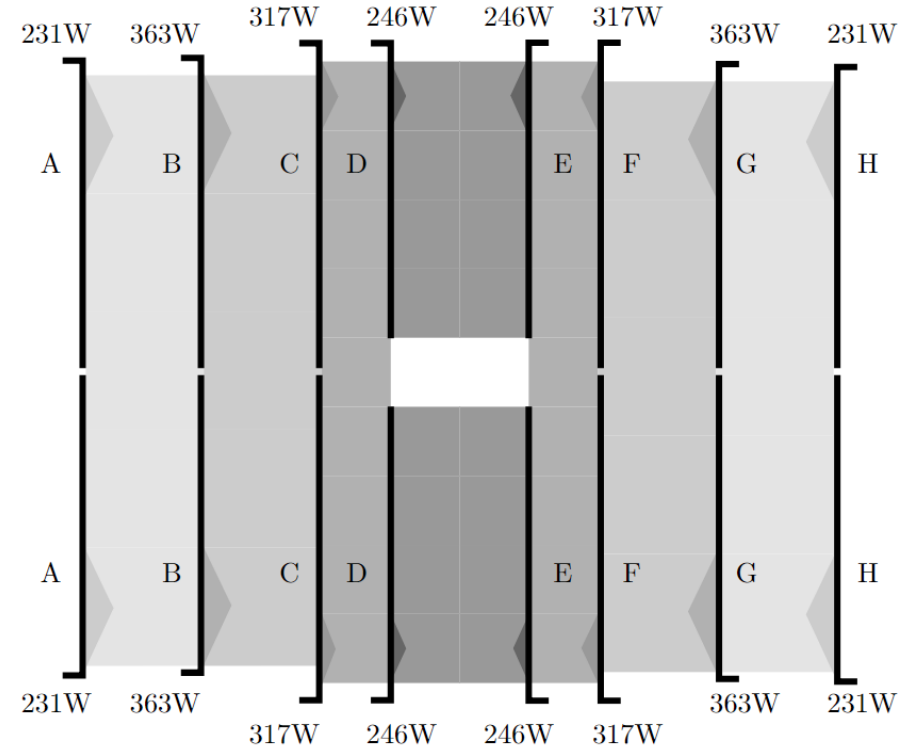
Ordered: 10 Wiener LV power supplies
 Model: PL506 (same as used by the Alice TRD)



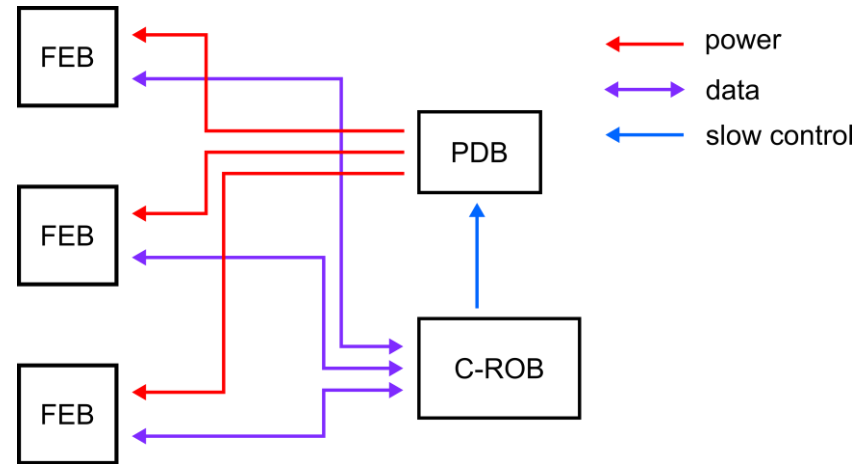
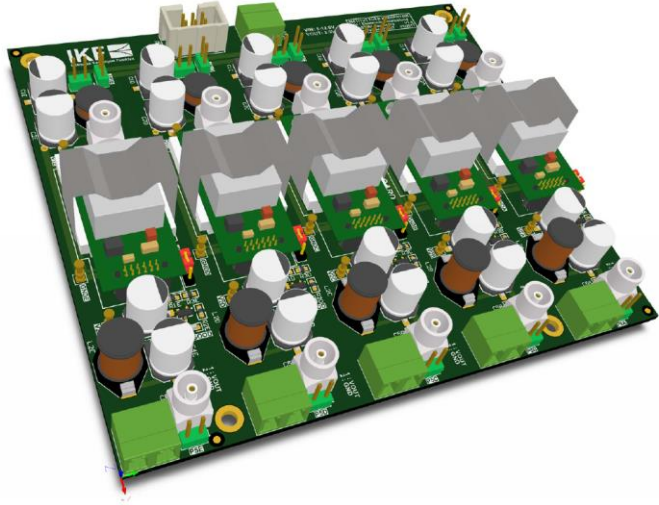
- 6 channels a 7-16V/46A
- Water cooled
- SST Interlock
(interlock for full module)



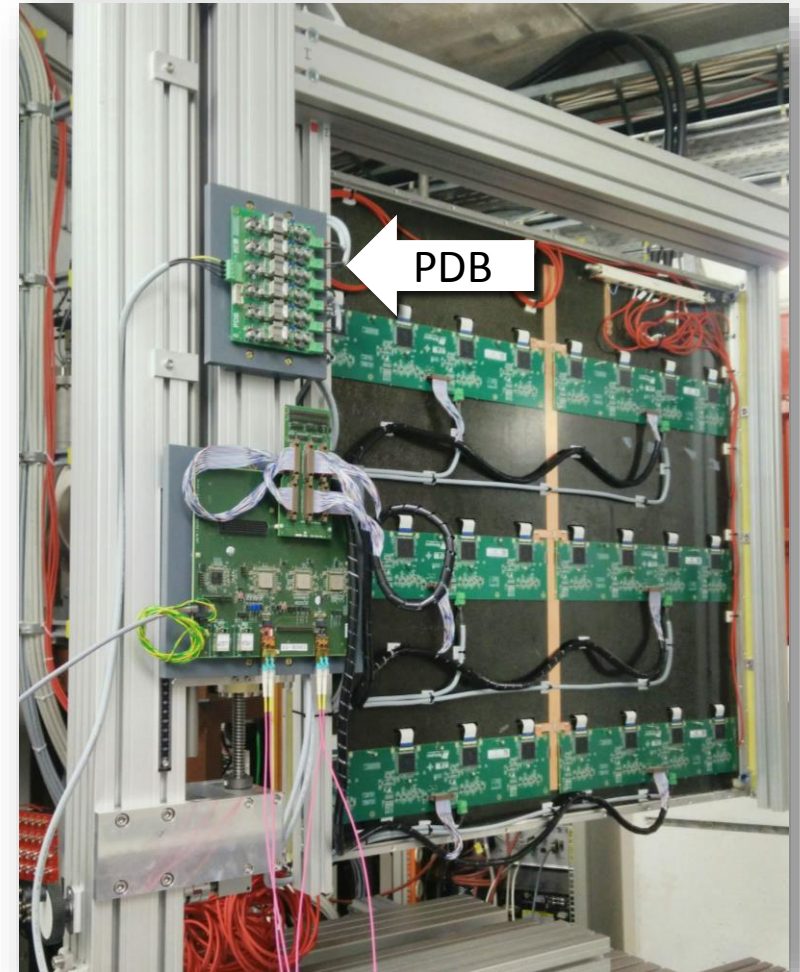
66	66	35	35	35	35	66	66
66	198	35	35	35	35	198	66
198	198	141	141	141	141	198	198
66	198	141			141	198	66
66	66	35	35	35	35	66	66
		35	35	35	35		



Low Voltage Power Distribution



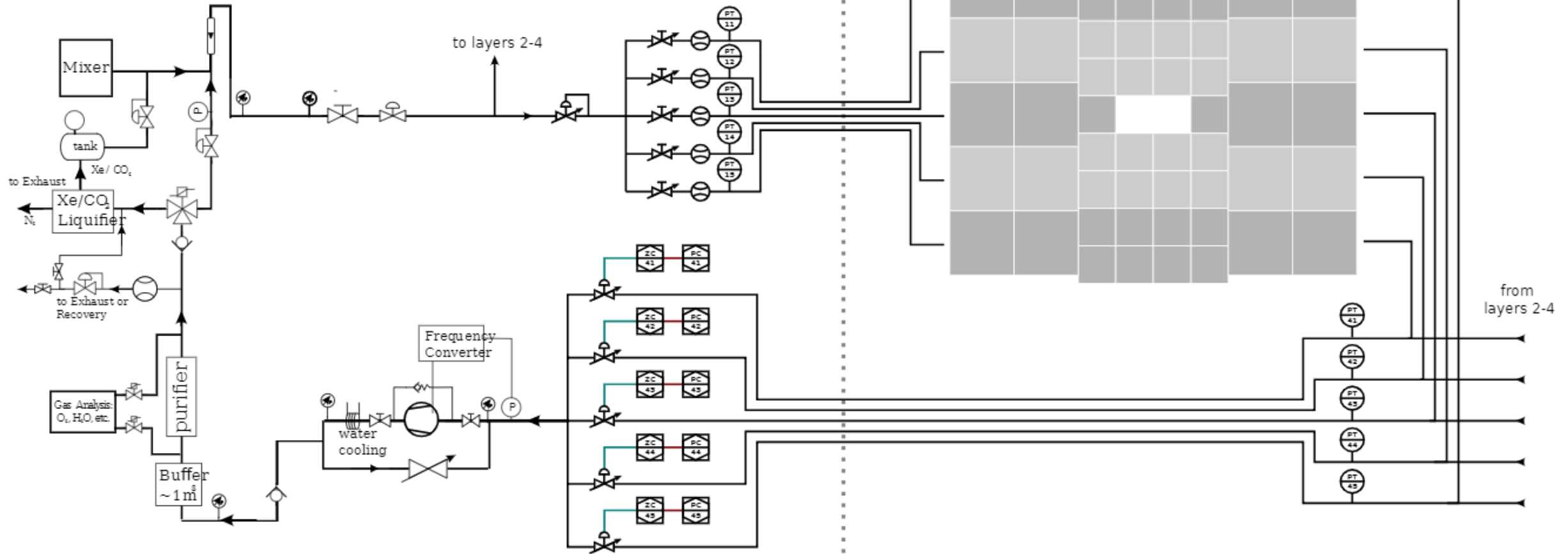
- 2.5 Volt FEAST-MP
- Controlled by the ROB



Gas System

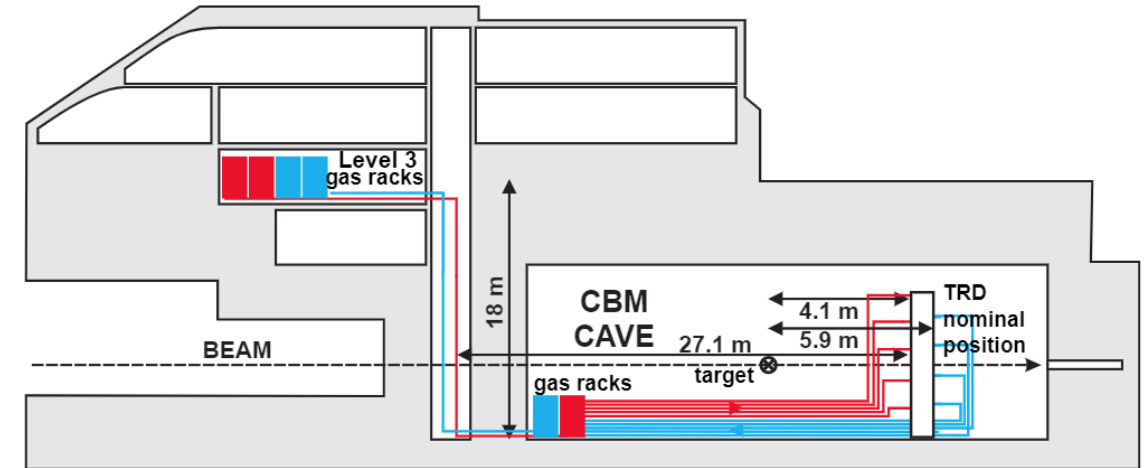
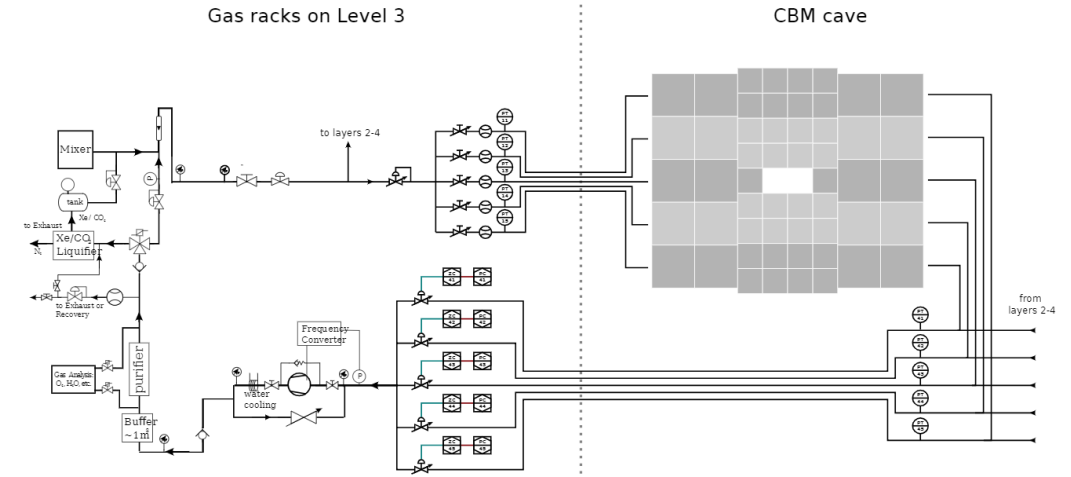
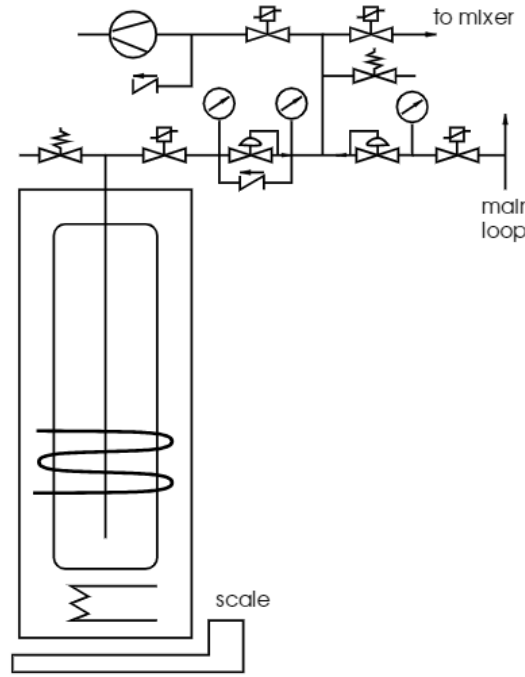
Gas racks on Level 3

CBM cave



Similar to the Alice TRD gas system

Gas Recovery Station



Gas	Freezing point ($^{\circ}\text{C}$)	Boiling point ($^{\circ}\text{C}$)
N_2	-209.86	-195.8
Xe	-111.9	-108.1
CO_2	-78.4 (subl.)	