

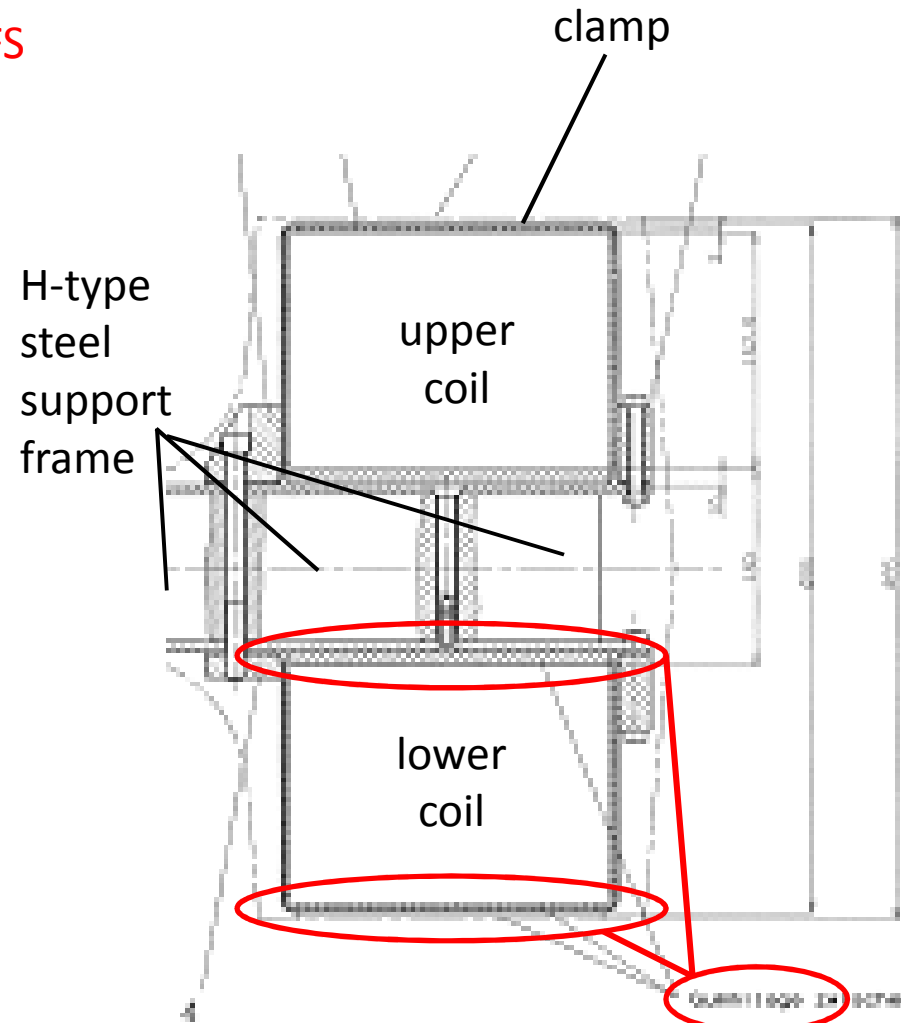
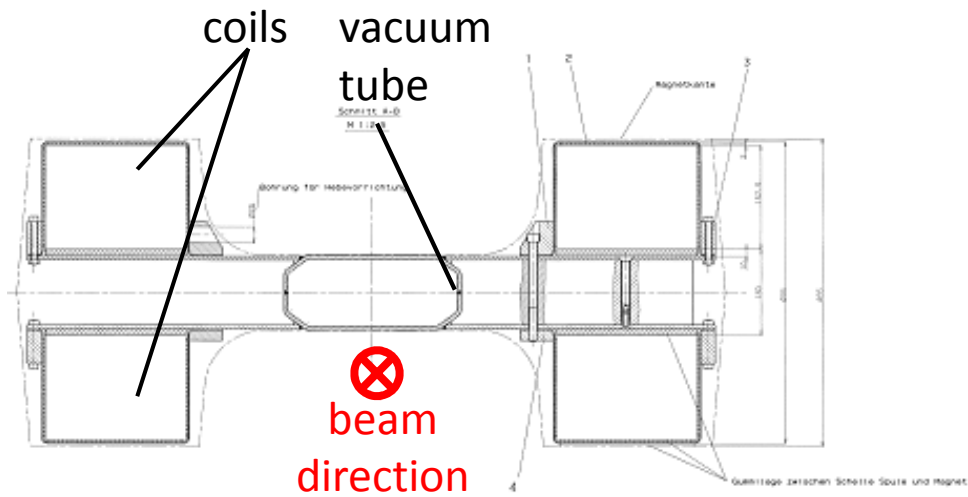
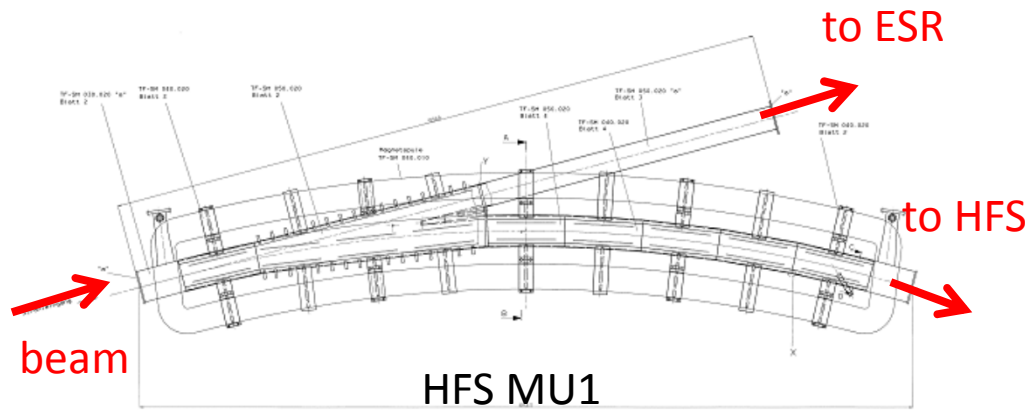
Problem with FRS dipole magnets

During the Hall-probe calibration procedure, it was noticed that the upper coil of a dipole is lifted by $\sim 1\text{cm}$

First result of scrutiny: the damping material ($\sim 2 \times 5 \text{ mm}$ rubber-type plastic) between the coils, which keeps the coils in position, has „disappeared“; it was found to lie between the yokes



Problem with FRS dipole magnets



Problem with FRS dipole magnets

