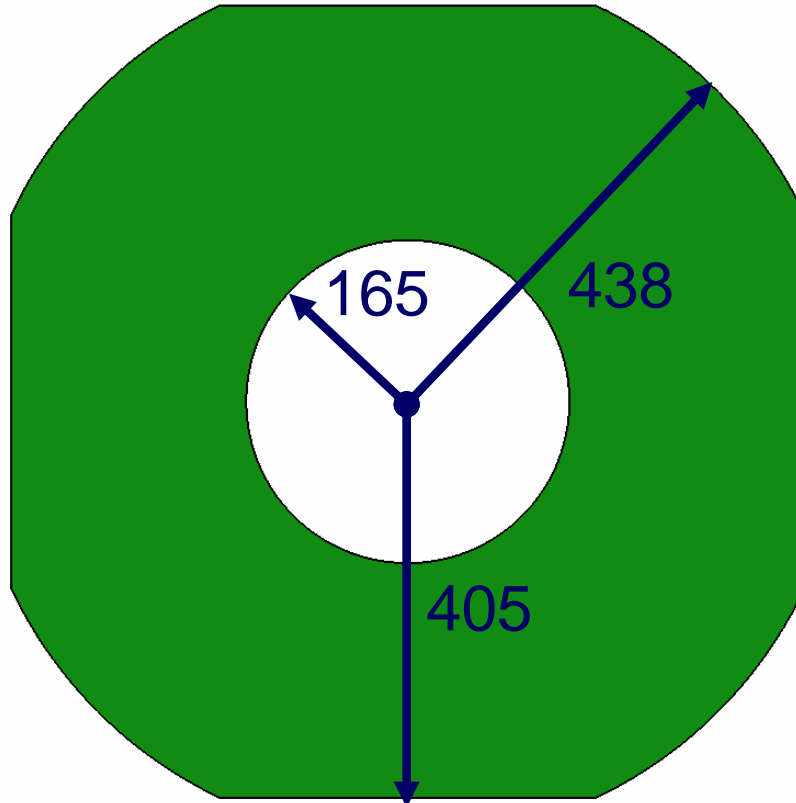
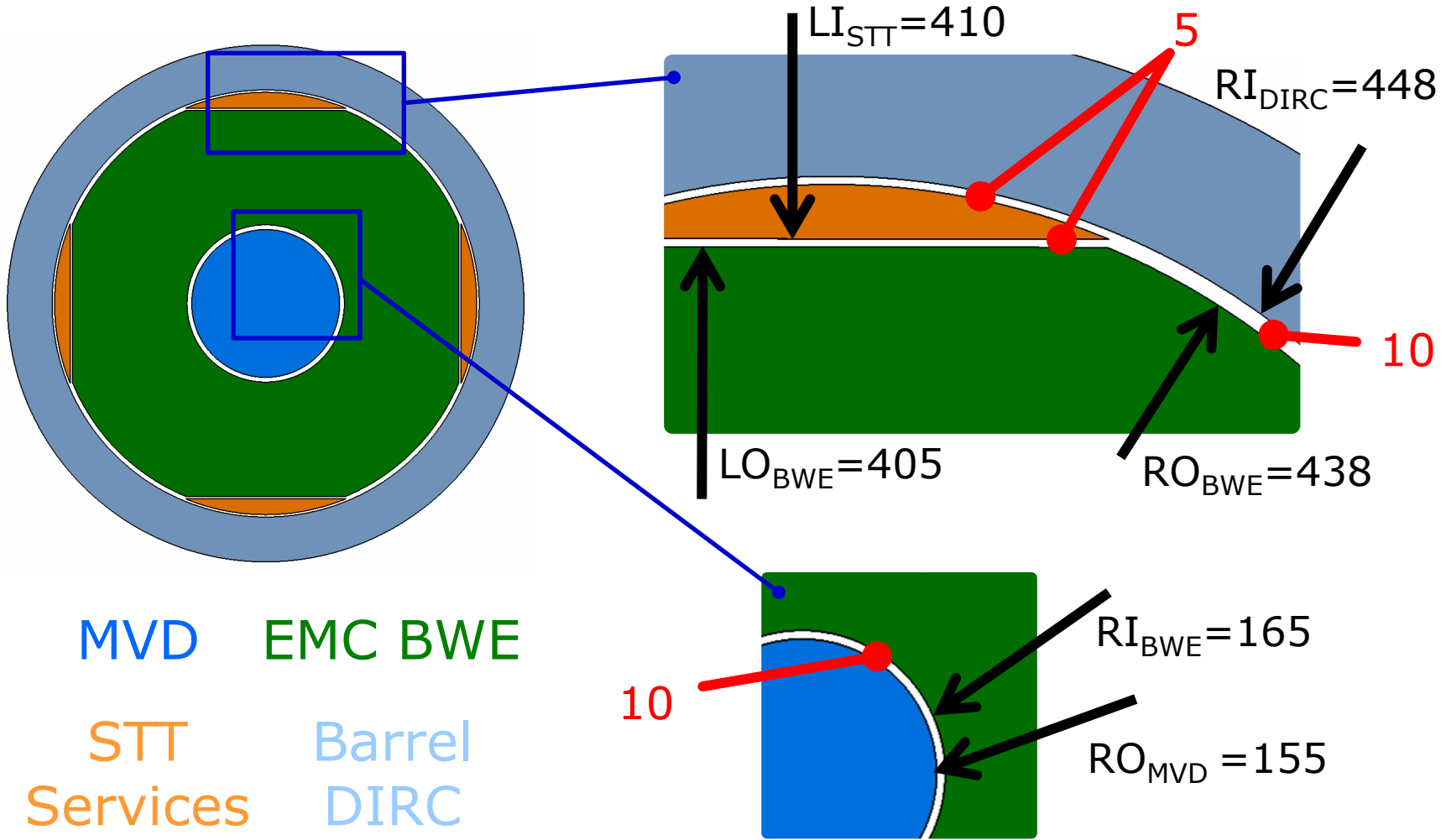


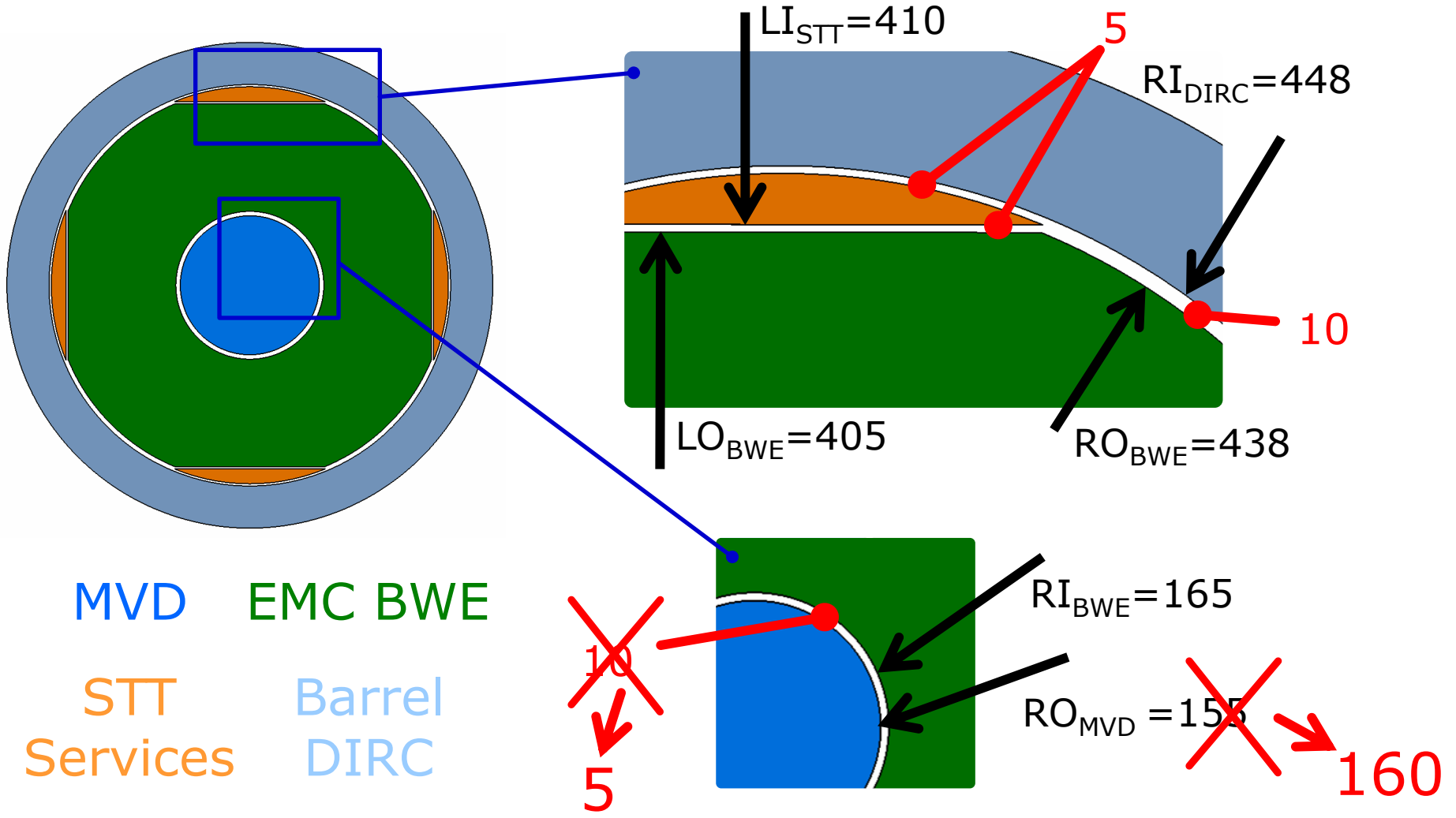
EMC BWEC

Geometrical Constraints



Reminder from
June 2014
Technical Board
(in mm)





MVD EMC BWE
 STT Barrel
 Services DIRC

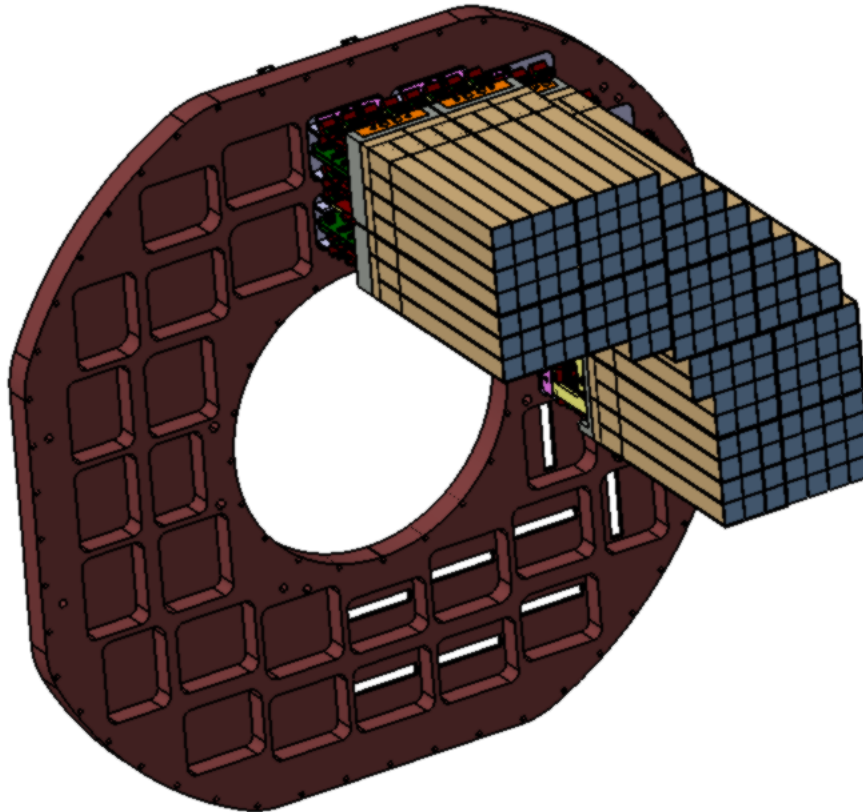
From Tommaso

June 2017

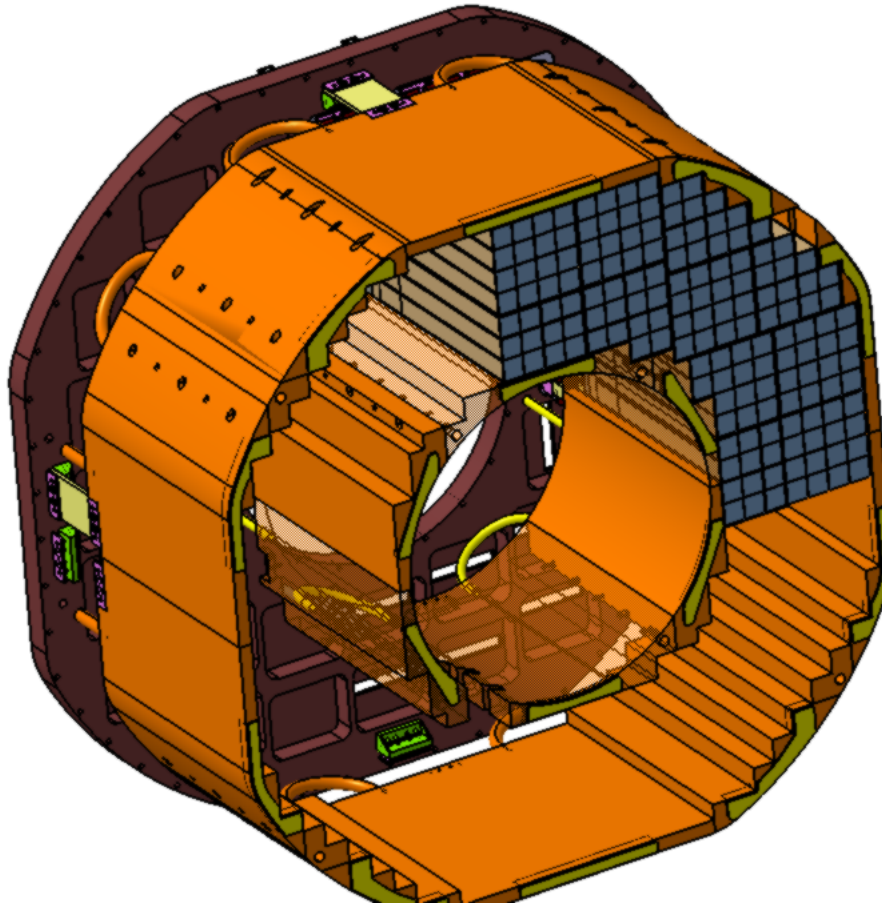
Work ongoing

- Updated design of GBT sector in progress:
 - Evaluation of possible solutions to accommodate more, larger boards
 - Increase of outer diameter to 340 mm seems until now unavoidable
- Mechanical tests of silicon strip sensors ongoing (IKV, stave producer) to established minimum required robustness of stave

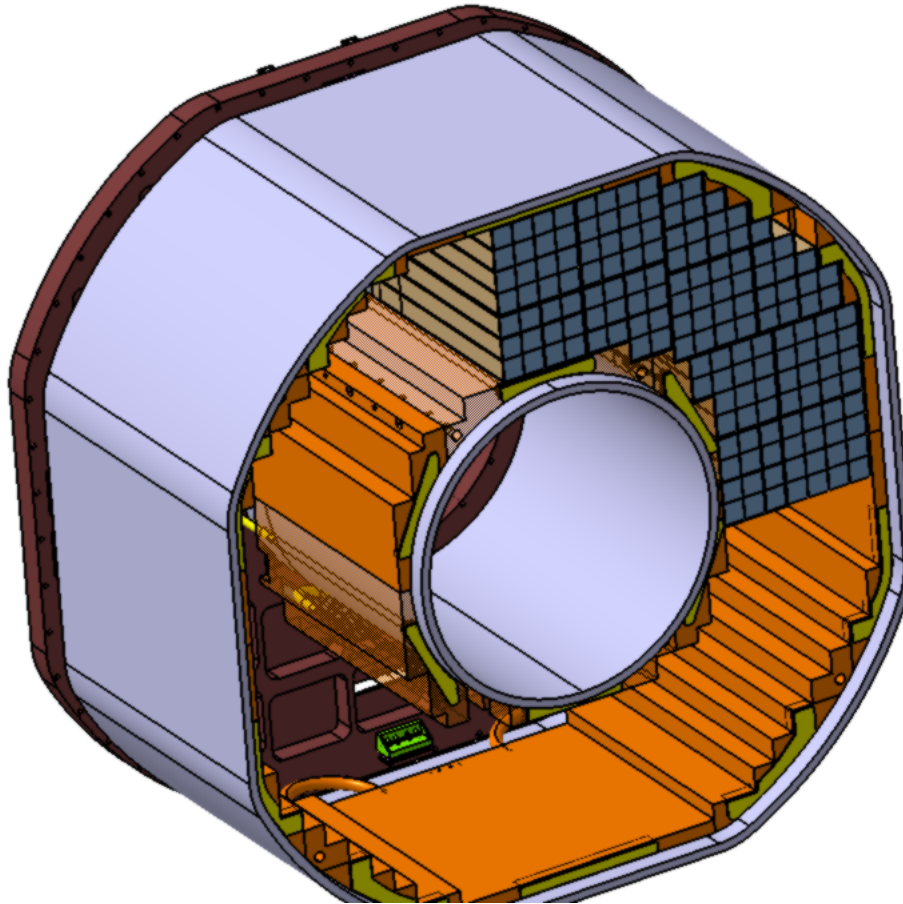
R=170mm



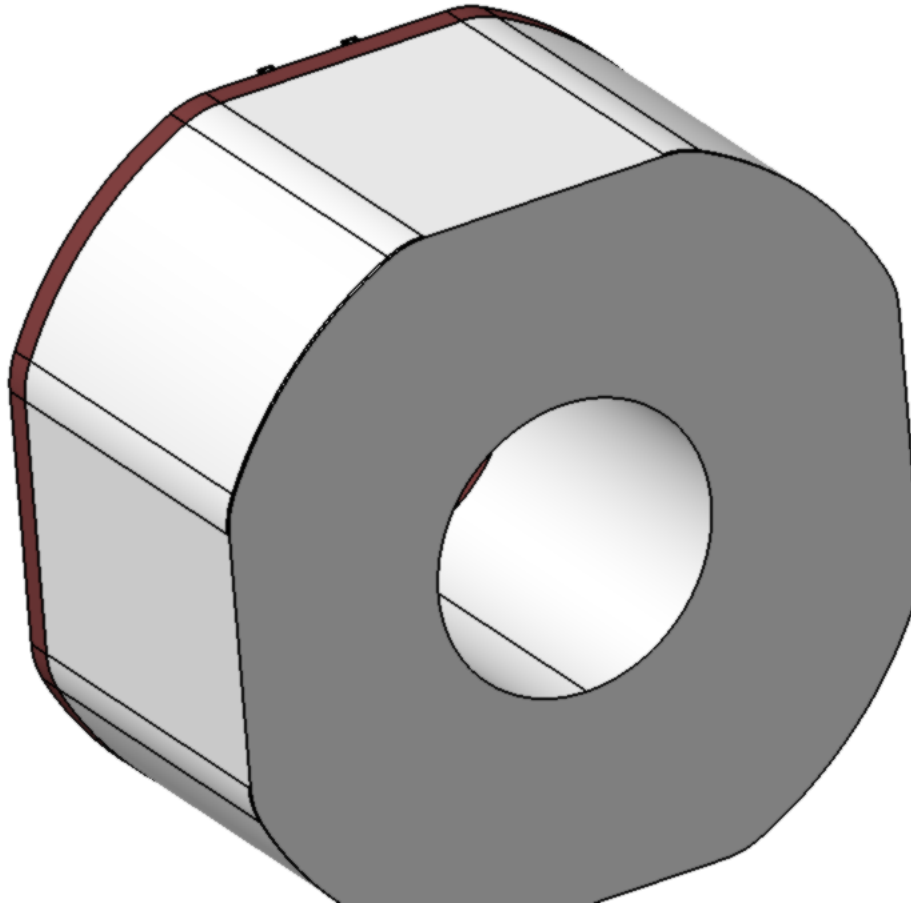
BWEC Quarter with
Mounting Plate



Cooling Shells

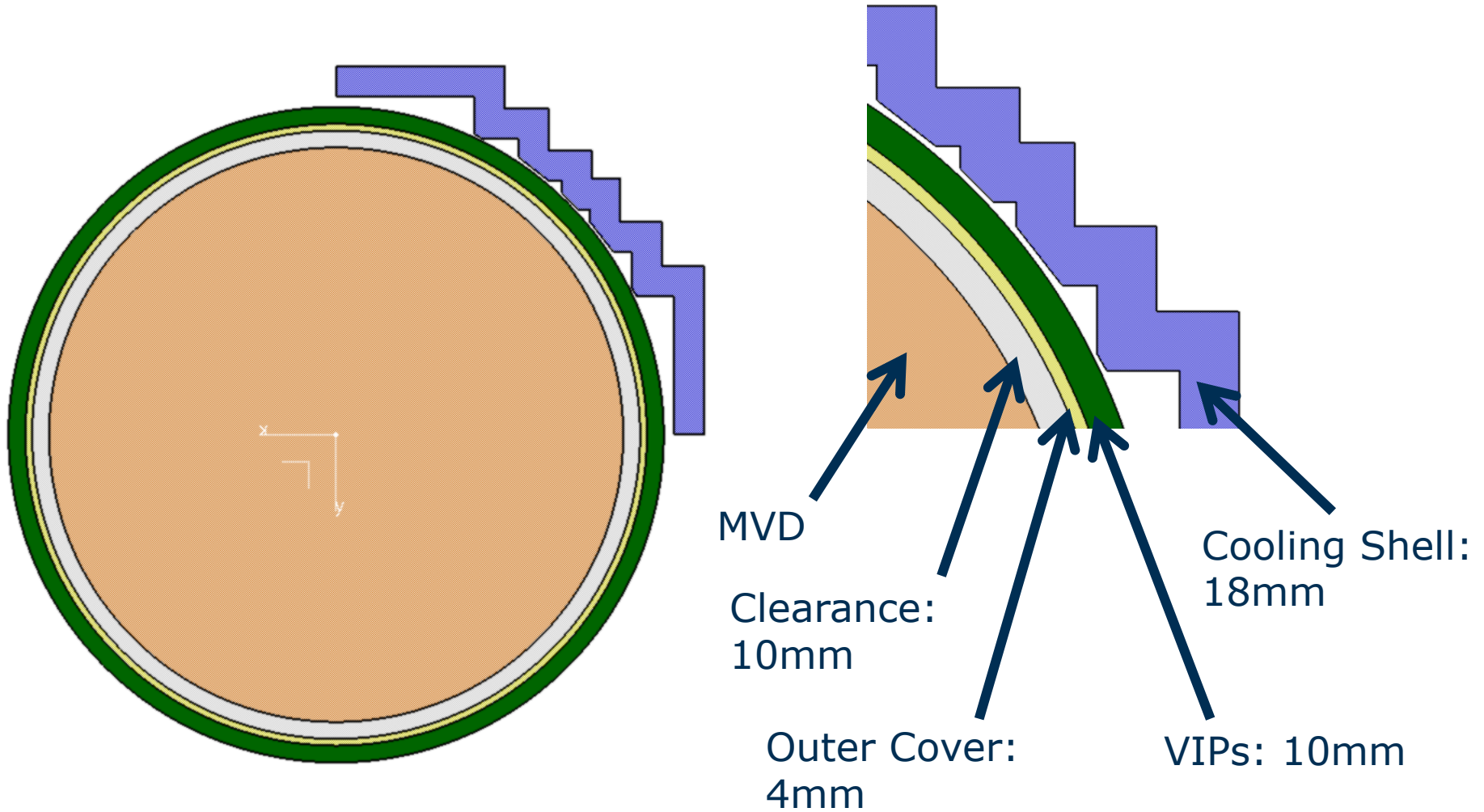


VIPs



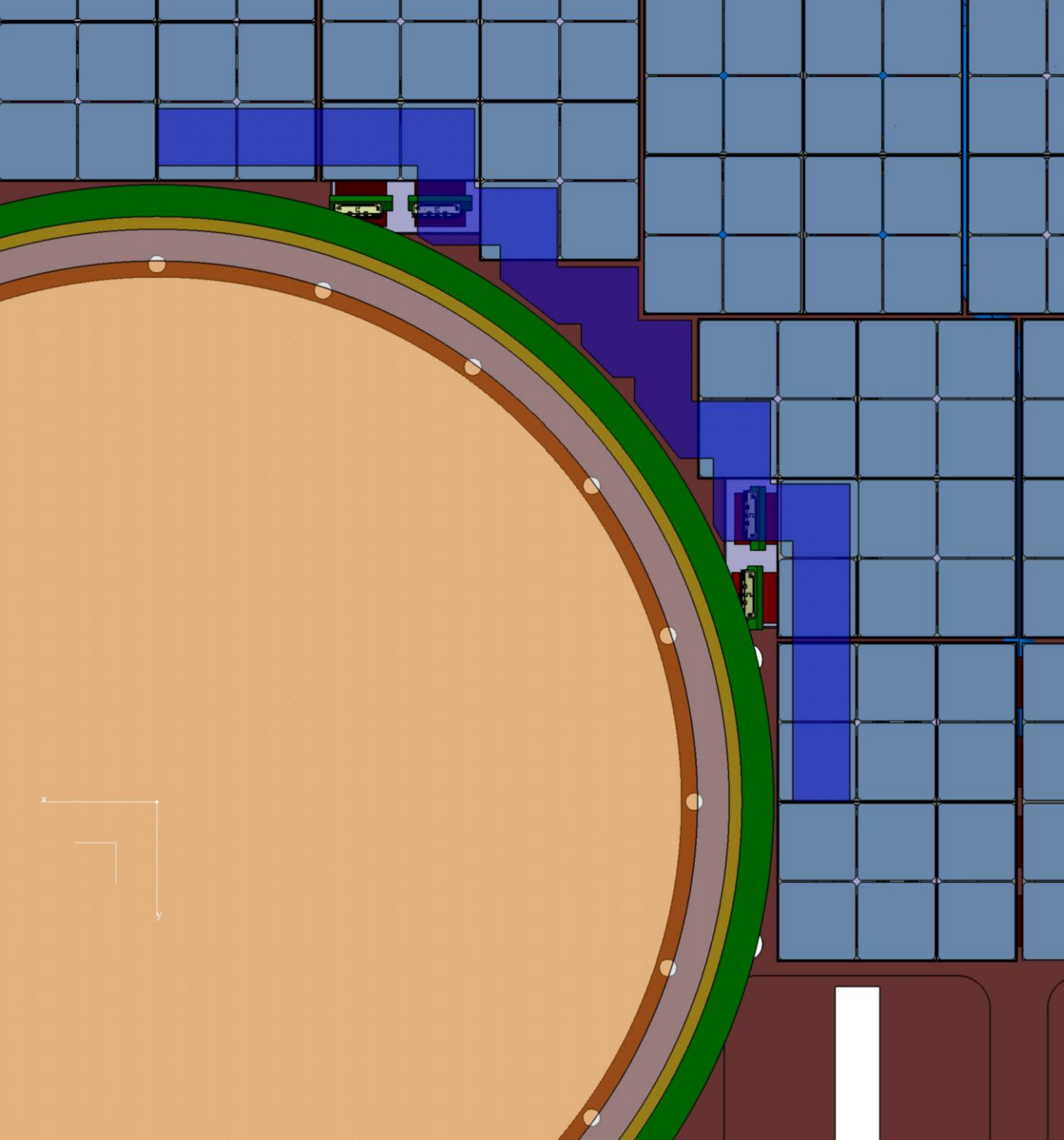
Outer Cover

Inner Radius: **165mm**
(as agreed)
(D=330mm)



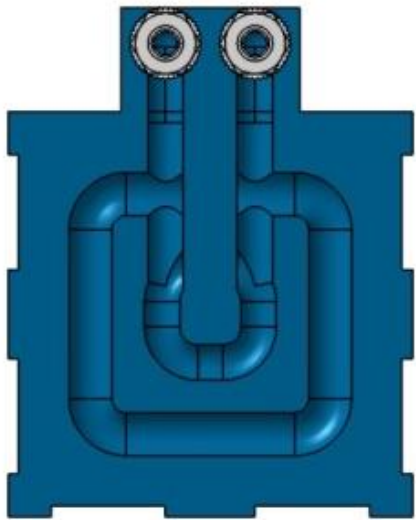
Assumptions:

- Cover tolerance stays within 4mm
- We can live with 10mm VIP
- Cooling shells feasible (prototype in construction)



In a quarter:
10 crystals lost
40 in Total
Minimum

Thank you



S. Ahmed
L. Capozza
A. Dbeyssi
P. Grasmann
J. Jorge Rico
F. Maas
J. Mateo Cardena
E. J. O. Noll
D. Rodríguez Piñeiro
S. Wolff