

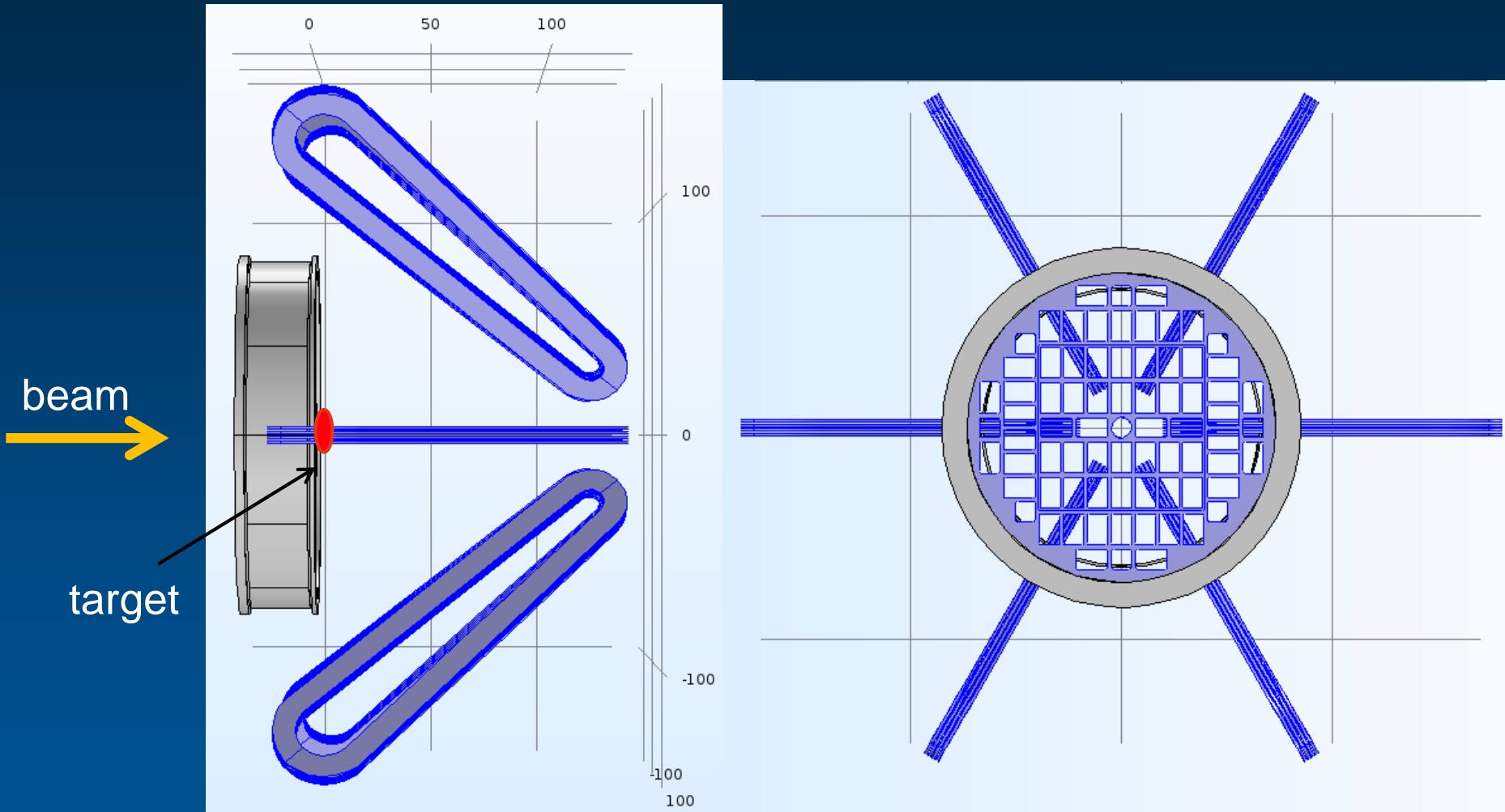
RICH Geometry

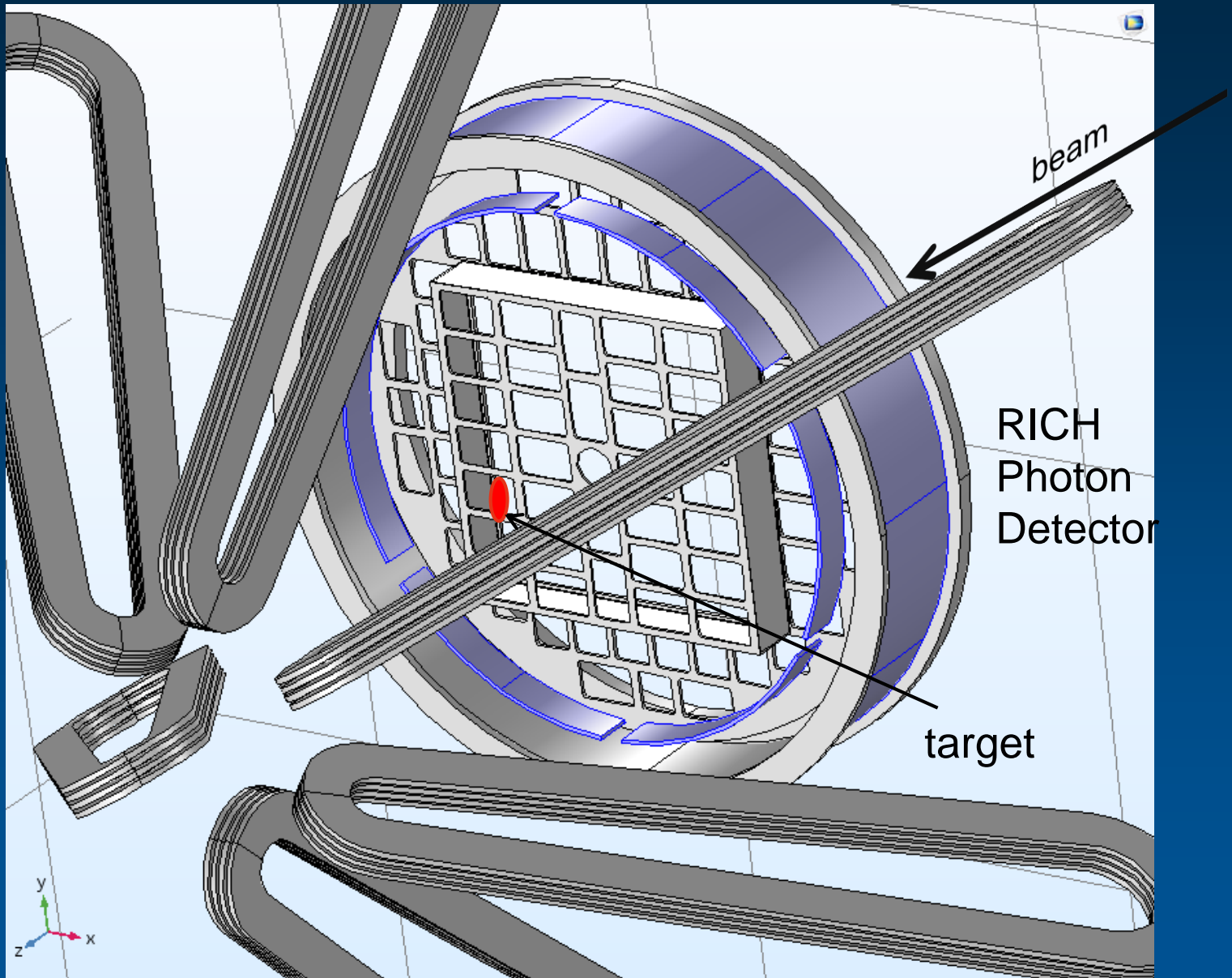
J. F., GSI, 13.02.2017

updated 21.2.2017

Schematics & Numbers

- » System Overview
- » Chamber
- » MAPMTs
- » Electronics

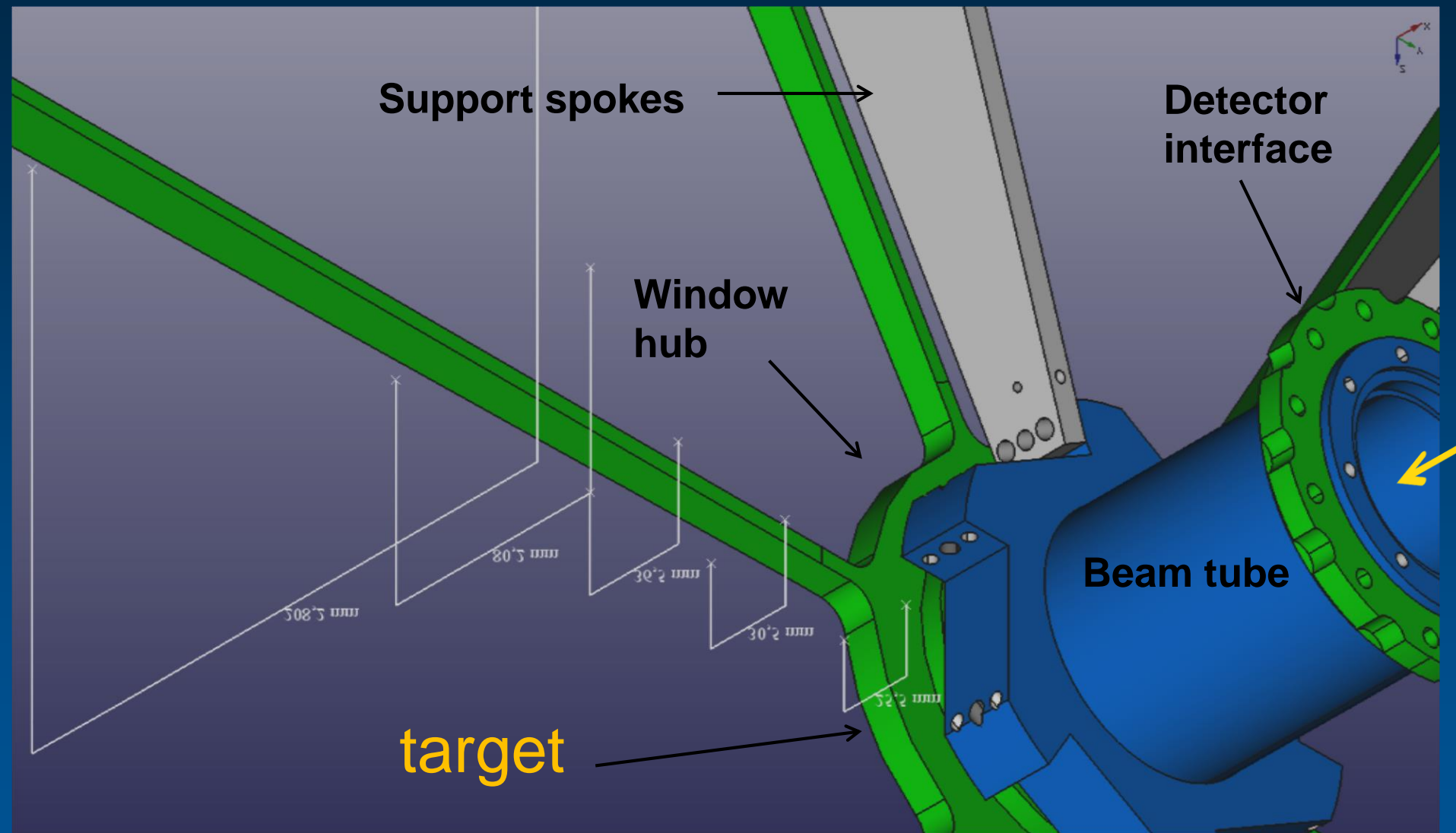






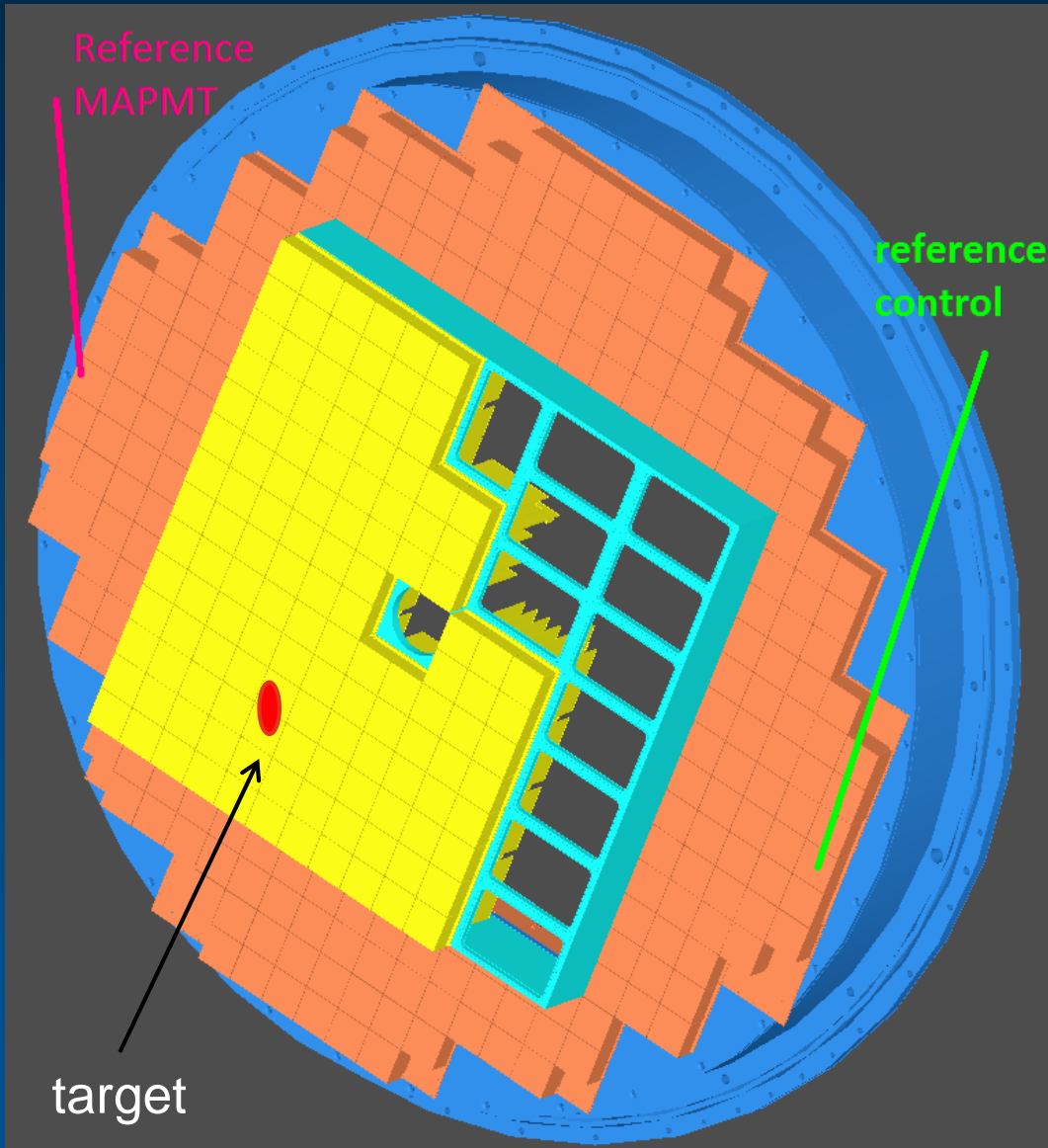
Chamber downstream view

TUT

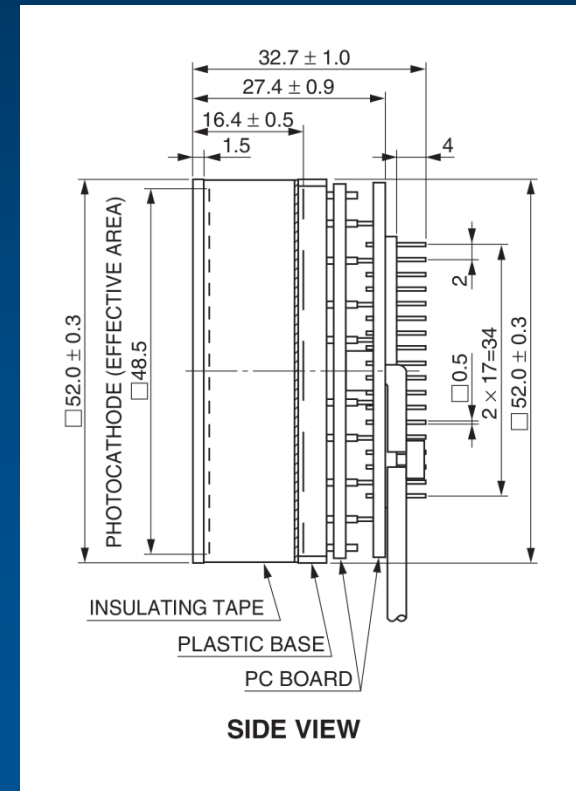




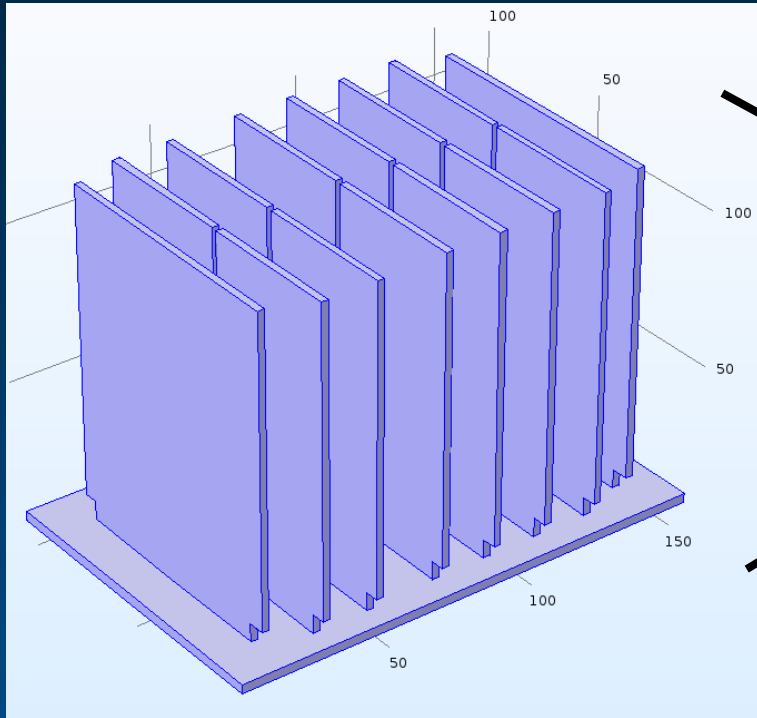
Photon detector upstream view $\pi\pi$



1 MAPMT

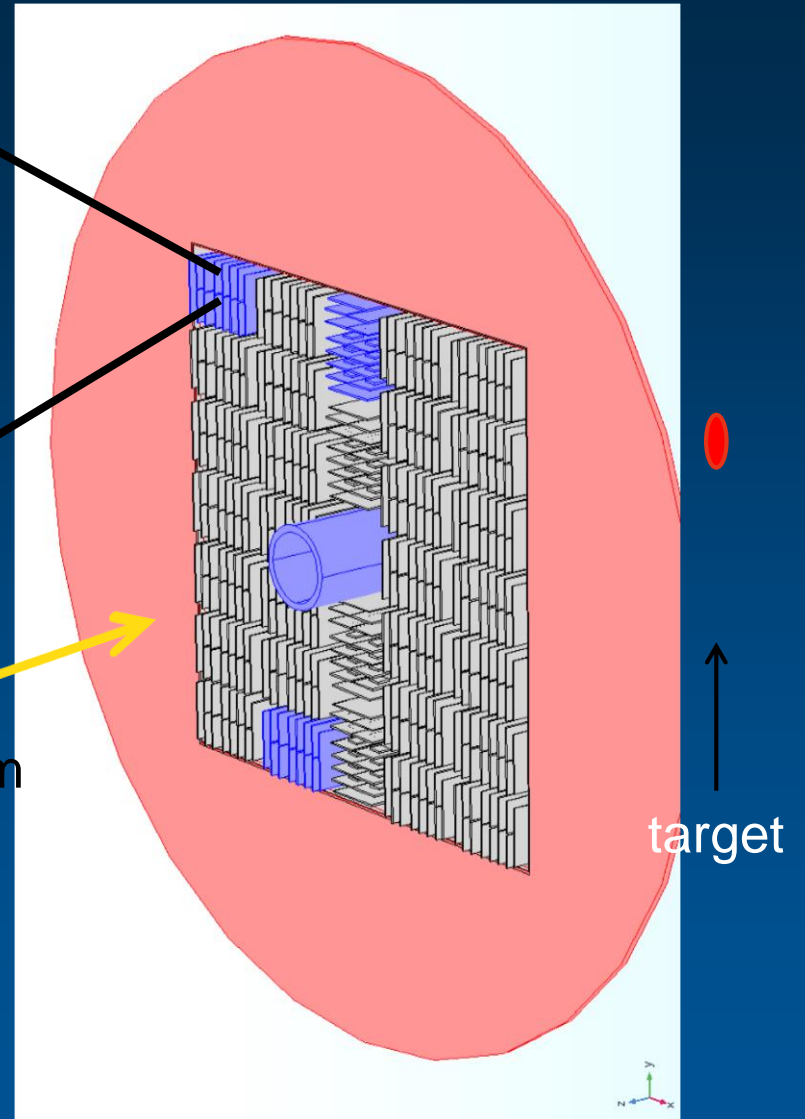


Read out downstream view TUM



1 readout module

Backplane + DiRICH



d [mm]
 ρ^*d_{eff} [g/cm²]

5	120
1	4.5



Rough estimates only

Materials:

Win
hub

Supp.
hub

MAPT
Back
plane

DiRICH

Air / N2

Steel

Aluminium

FP4

30	5	120
2	1	4.5

Values parallel to beam axis

d	[mm]
$\rho \cdot d_{\text{eff}}$	[g/cm²]

21
19

26
23

Beam tube	
103	15
93	4

15
4



Rough estimates only

Materials:

Win
hub

Supp.
hub

MAPT
Back
plane

DiRICH

Air / N2

Steel

Aluminium

FP4

30	5	120
2	1	4.5

Values parallel to beam axis

d	[mm]
$\rho \cdot d_{\text{eff}}$	[g/cm²]

21
19

26
7

Beam tube	
63	9

55
15



Thank You