

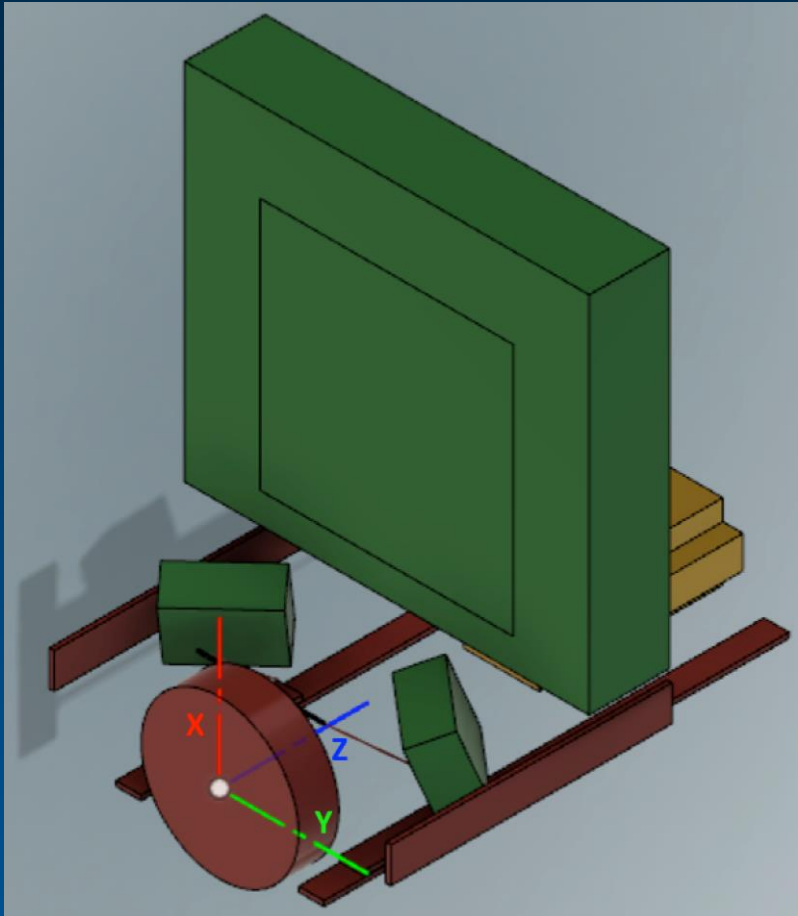
HADES B - Field

J. F., GSI, 13.02.2017

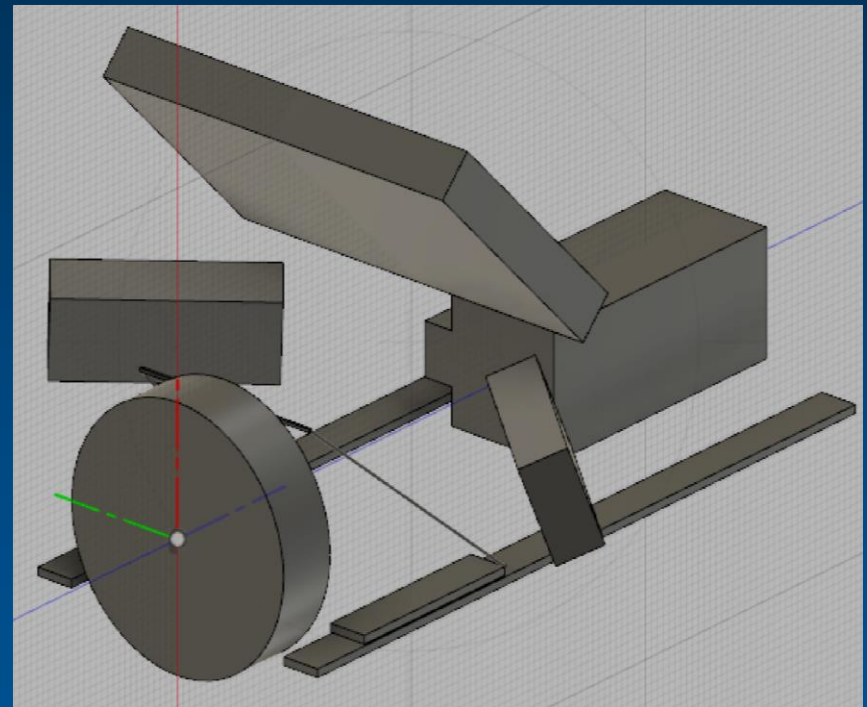
New simulations

- » Comsol 5.21
- » Coil geometry by ruler & hand
- » Preliminary Results

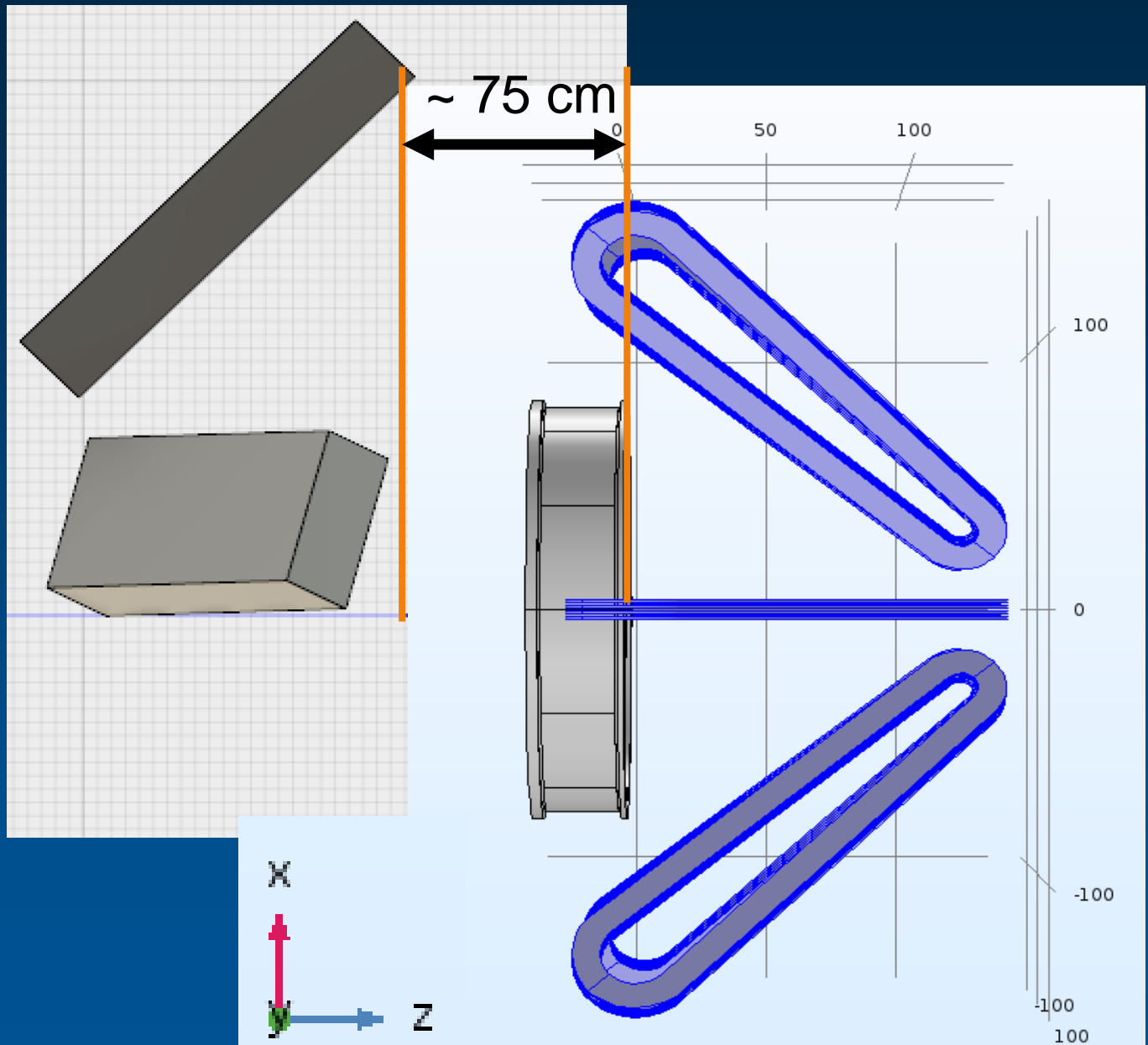
Shields necessary

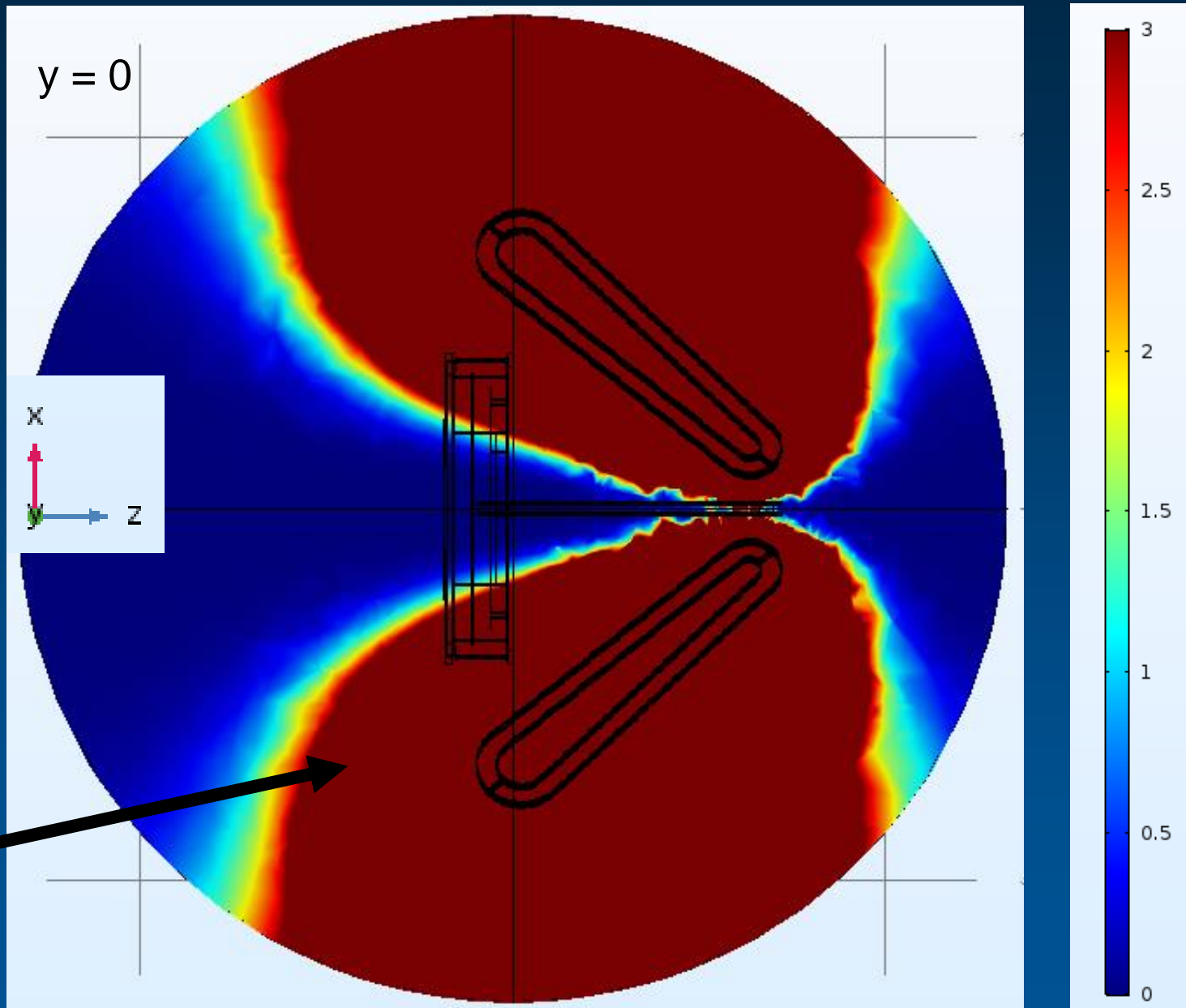


RICH



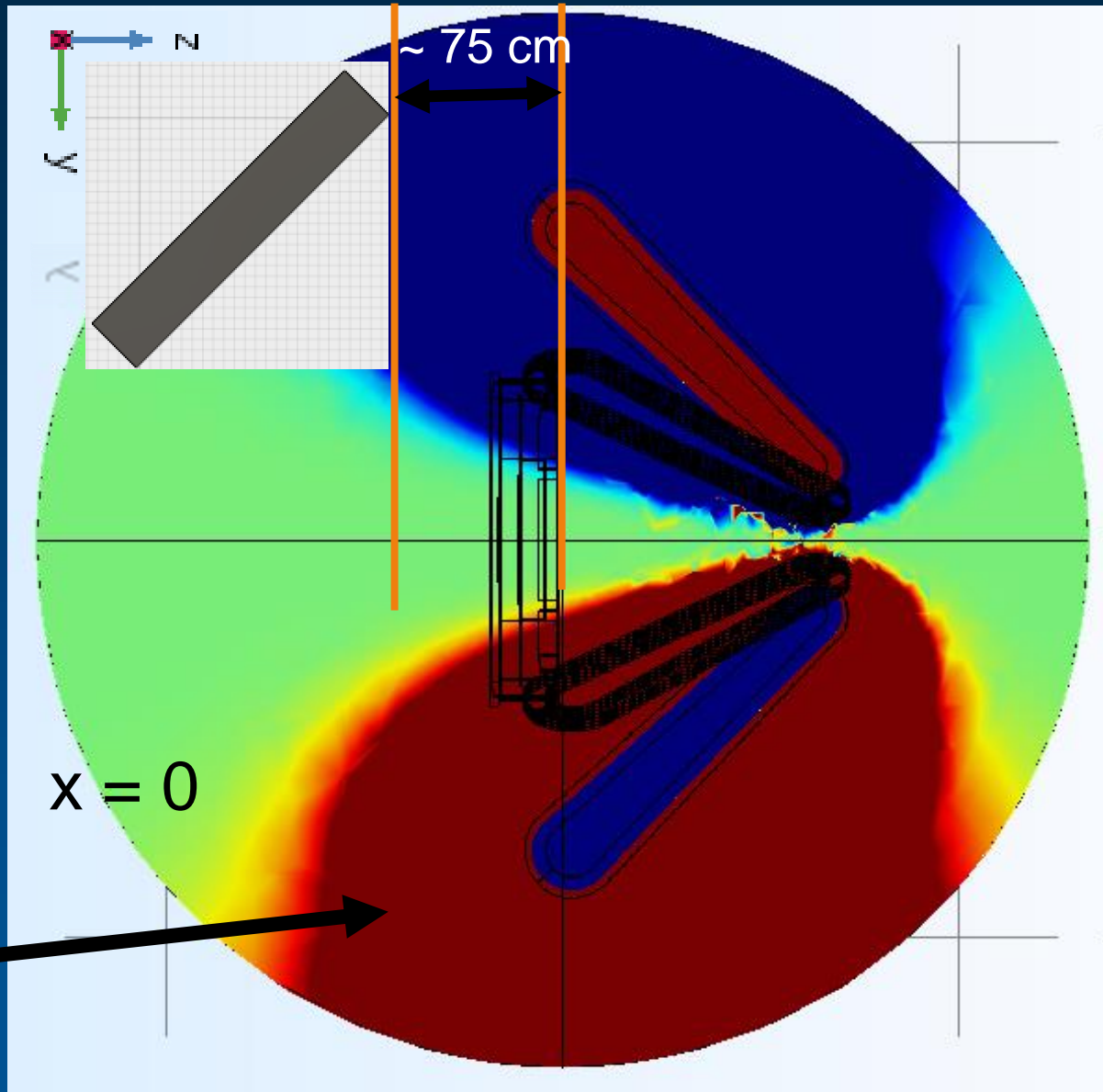
RICH





B_x – comp: $z - y$ plane

ΠΠΠ



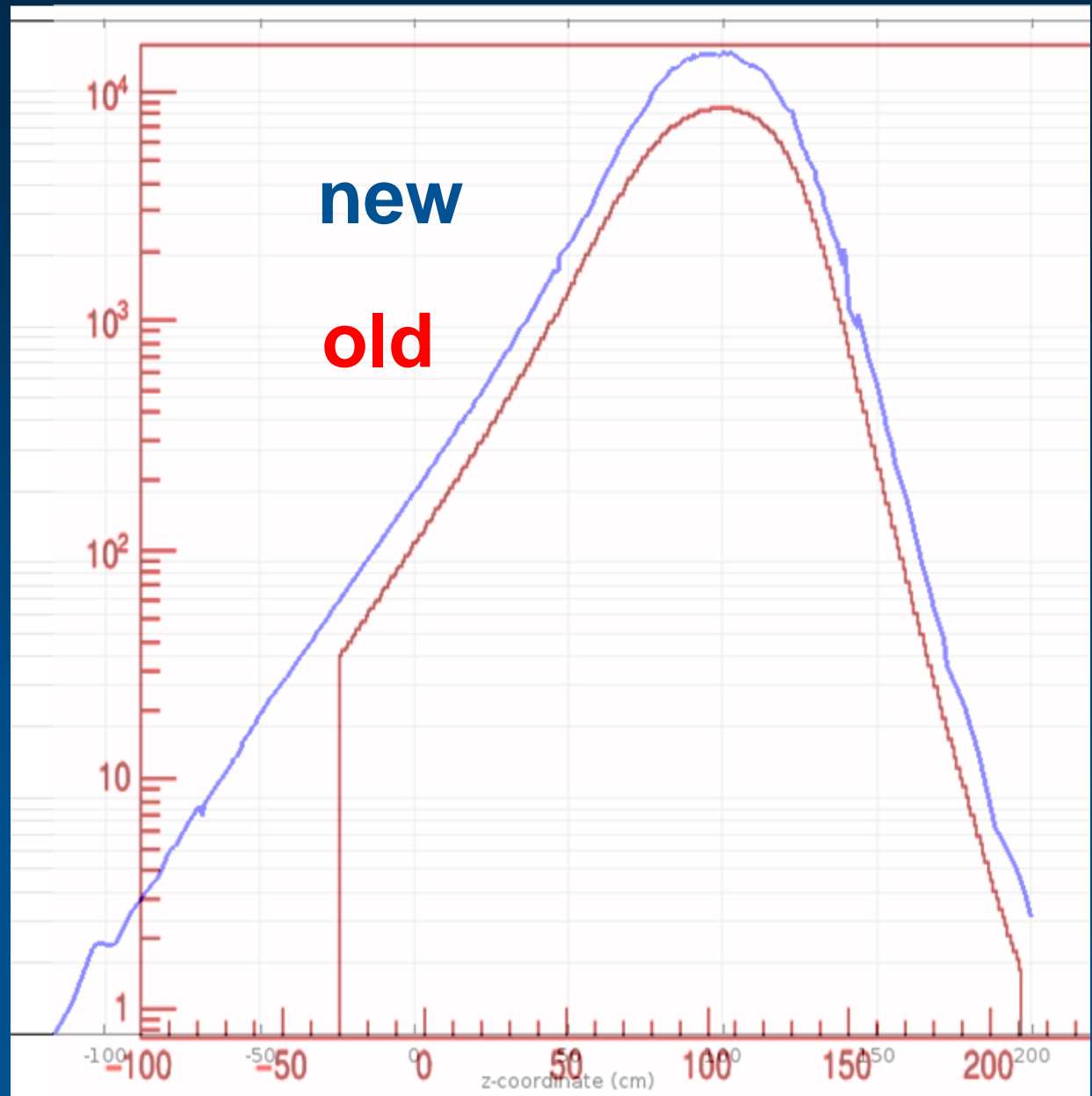
$|B_x|$
 $> 3 \text{ mT}$

$x = 0$

$\sim 75 \text{ cm}$

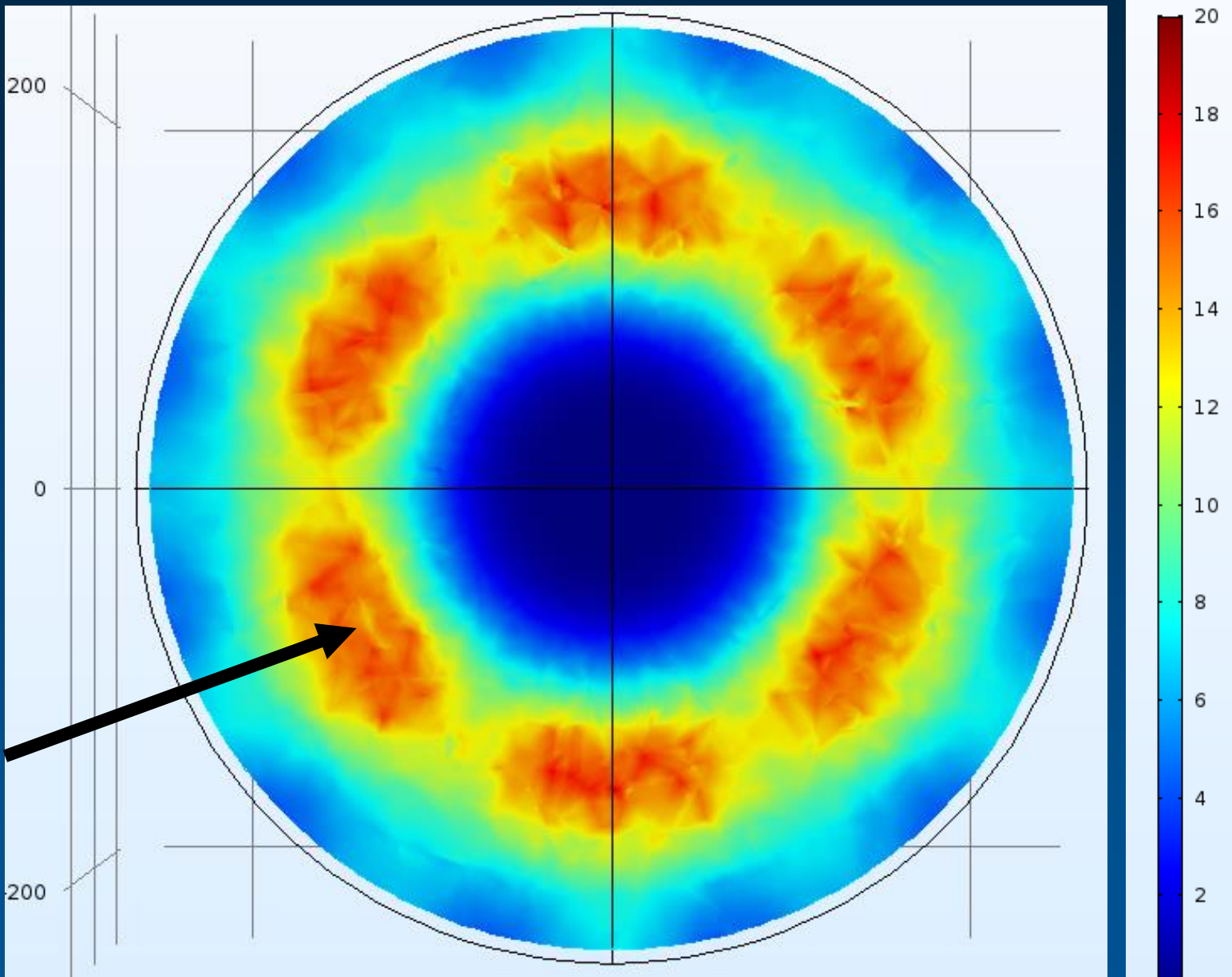
$B(z)$

@ $x = 40$ cm
 $y = 40$ cm



@ $z =$
 -75 cm

$|B| \sim$
 20 mT

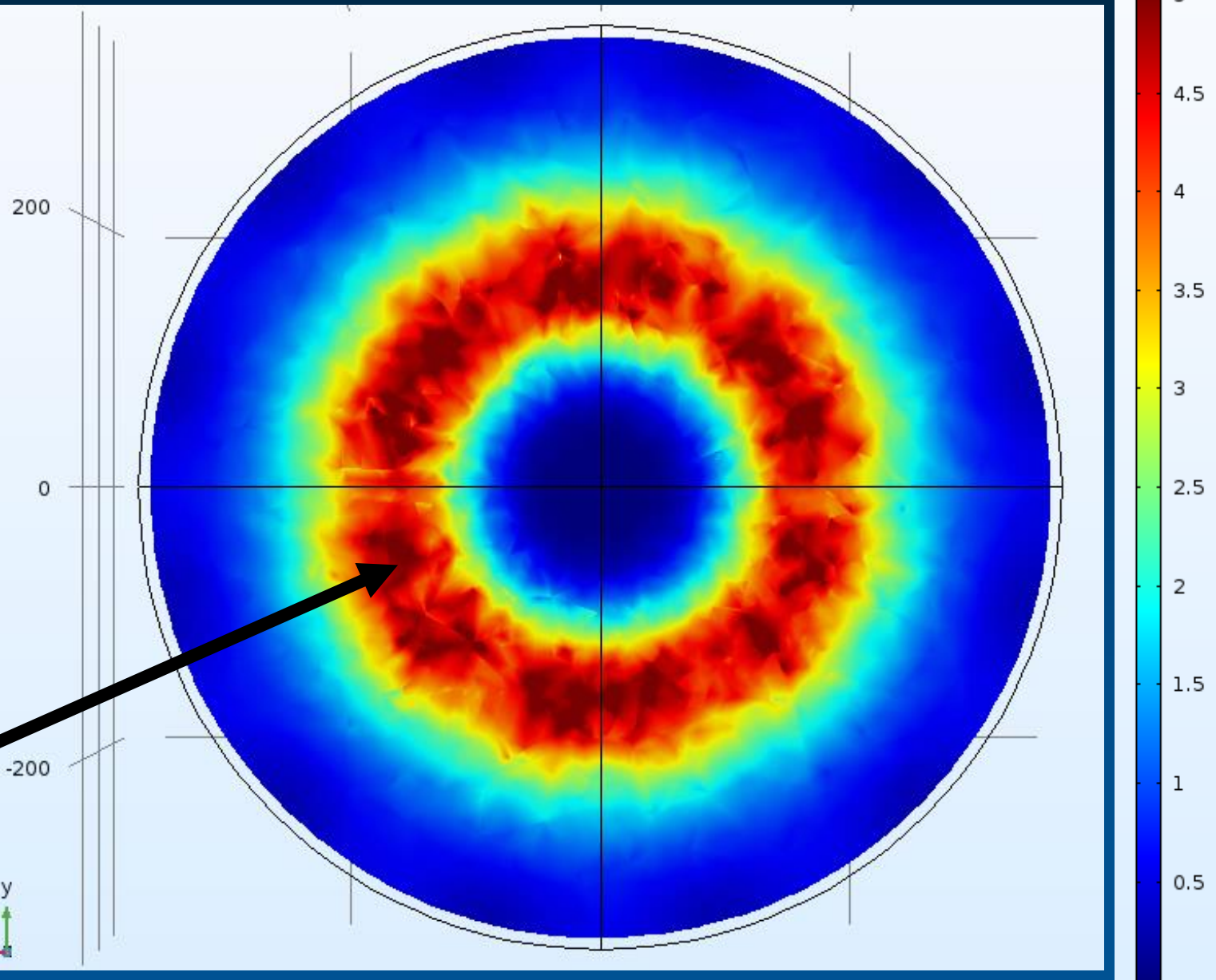




B – field: x – y plane

$\pi\pi$

@ $z =$
 -100 cm



$|B| \sim$
 5 mT

Thank You