

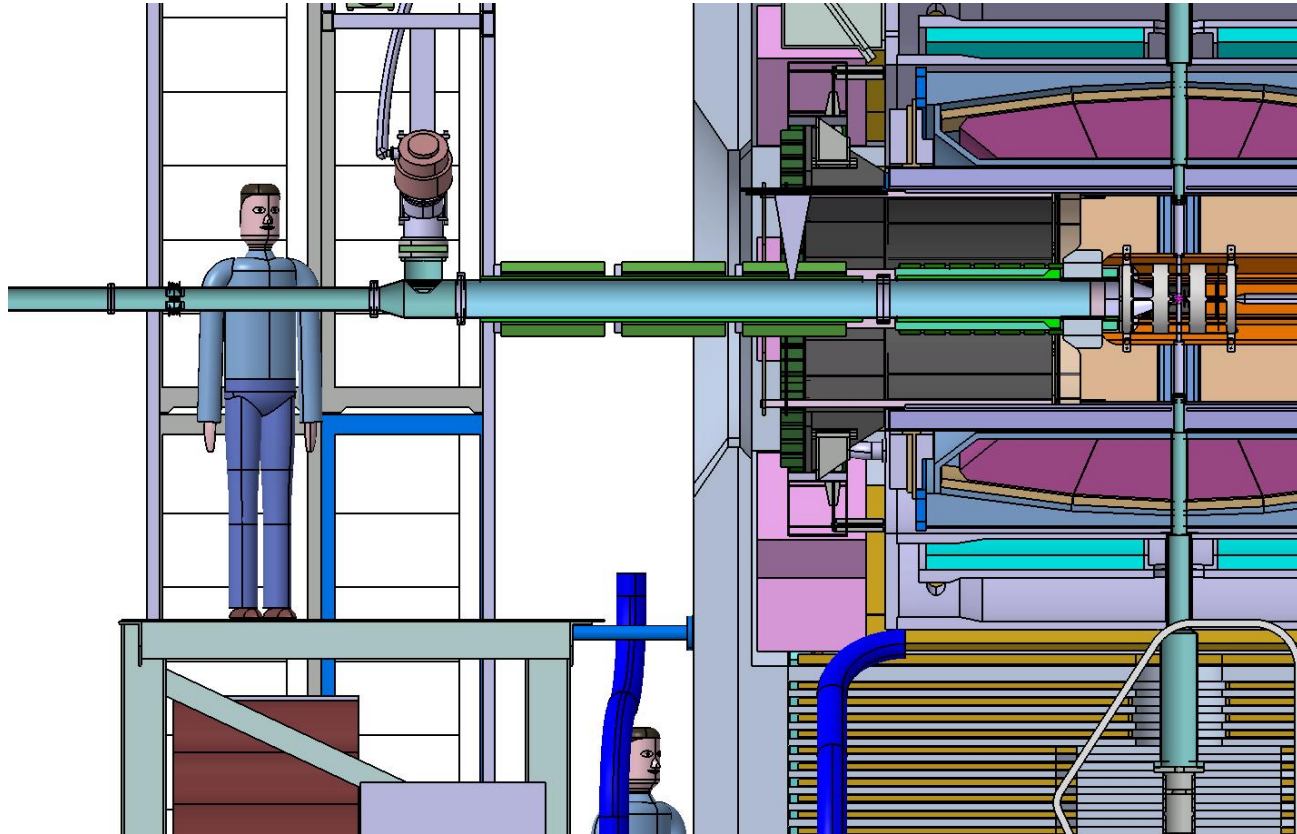
EMC BWE

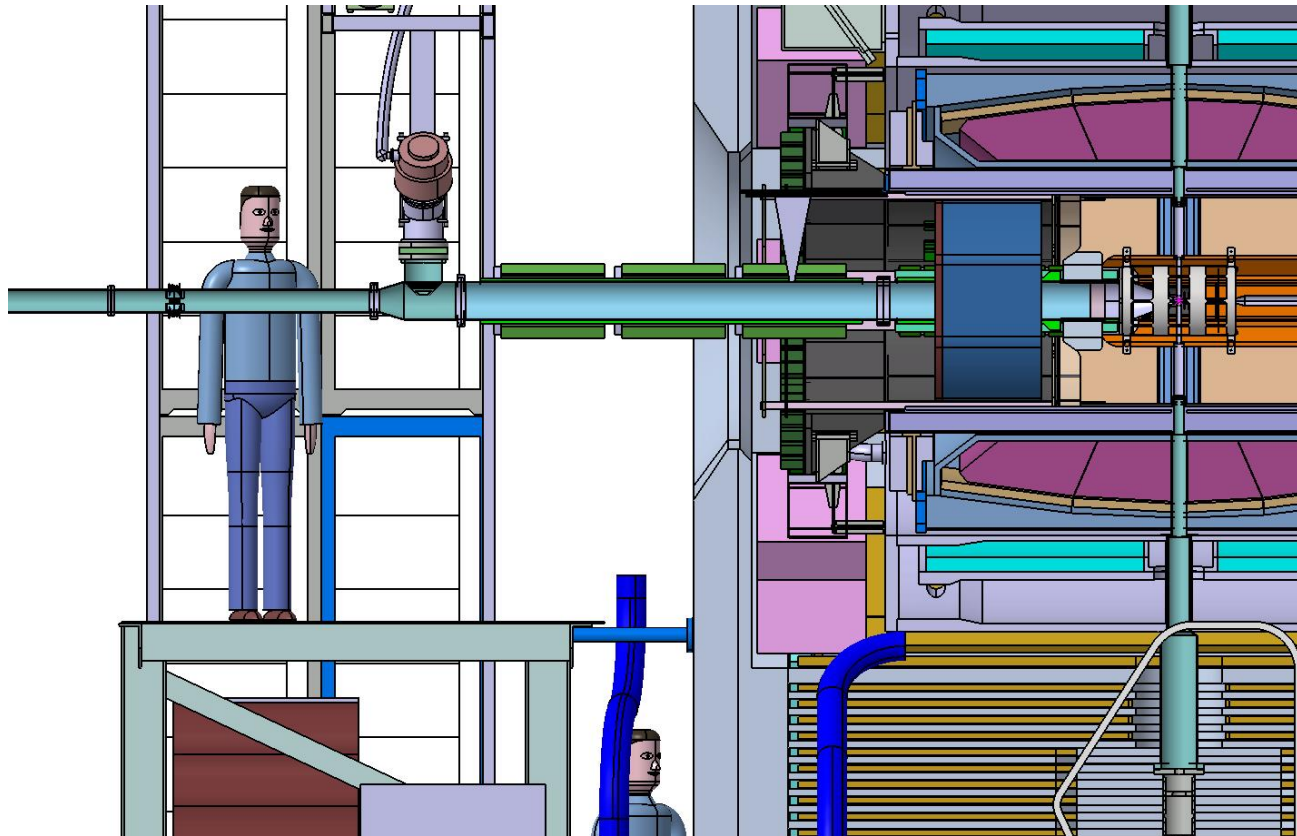
PANDA Services

Routing

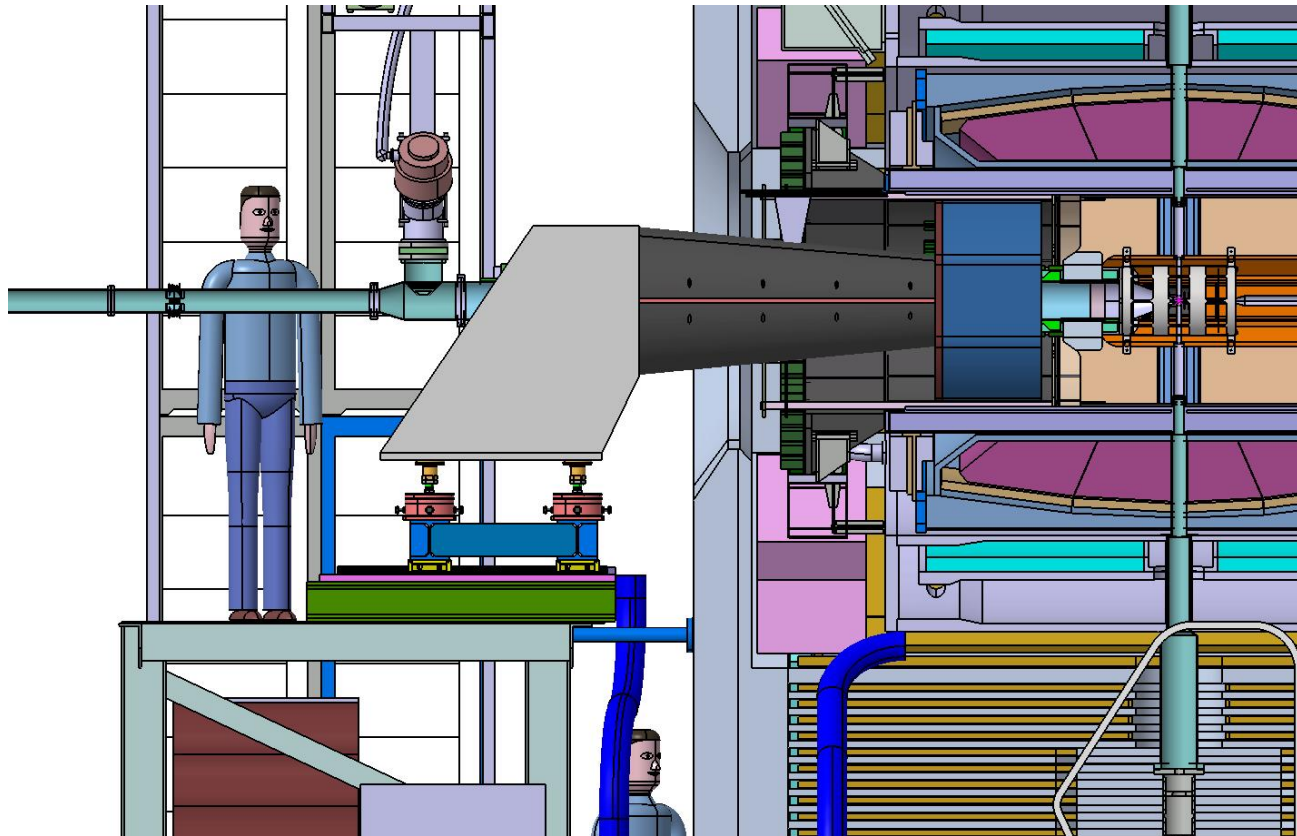
PANDA LIX Collaboration Meeting
Mechanical Session
05-Dec-2016

1.2 Cross sections		Section of unit (mm ²)	Units	Total (mm ²)
1.2.1	HV cable	132,7	10,00	1327
1.2.3	LV cable	132,7	2	265
1.2.5	Signal cable	8,6	524	4482
1.2.7	Cooling channel	5026,5	8	40212
1.2.9	Optical fiber cable	1,3	524	696
1.2.11	THMP	14,5	1	15
1.2.12	Programming Lines	60,8	5	304
1.2.13	Nitrogen	78,5	4	314
			Total cables	47615

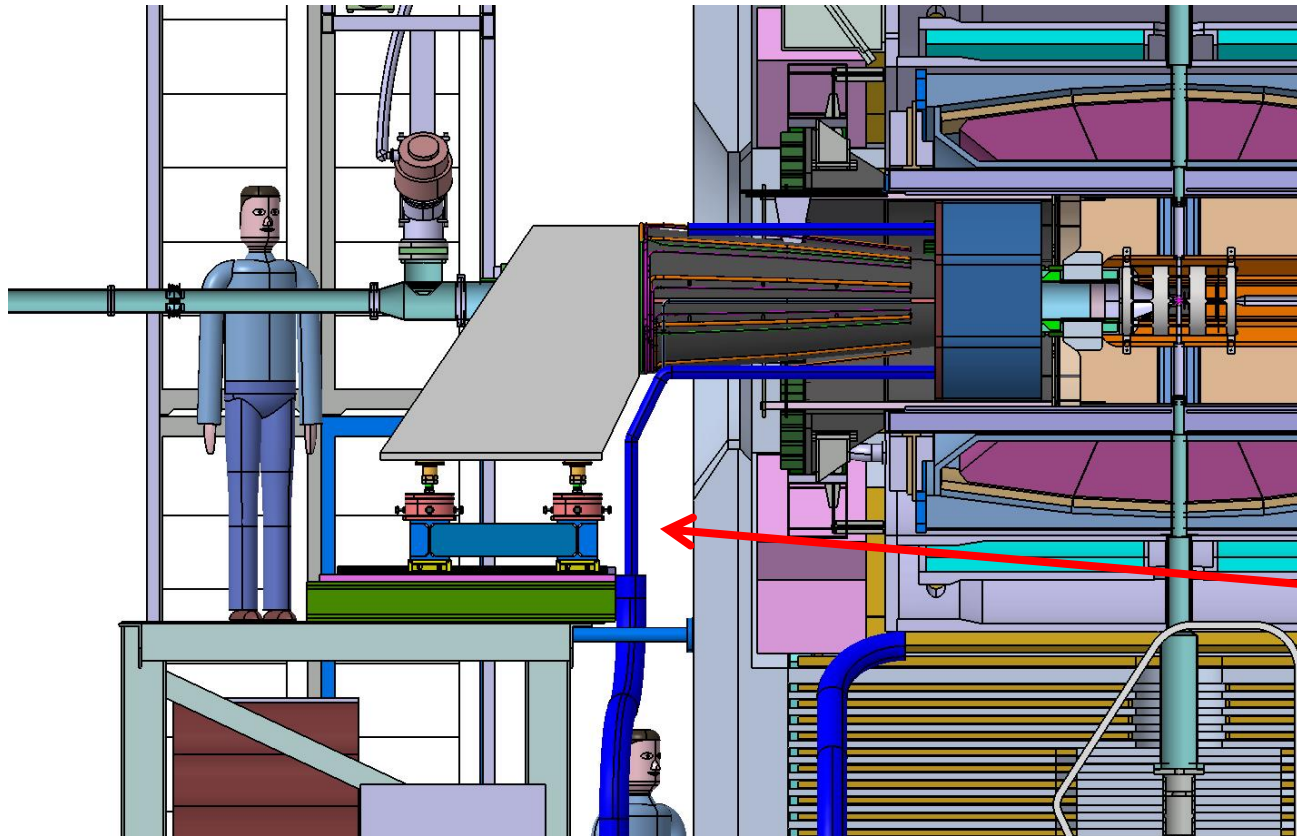




EMC BWEC
distance
from the
target:
560mm

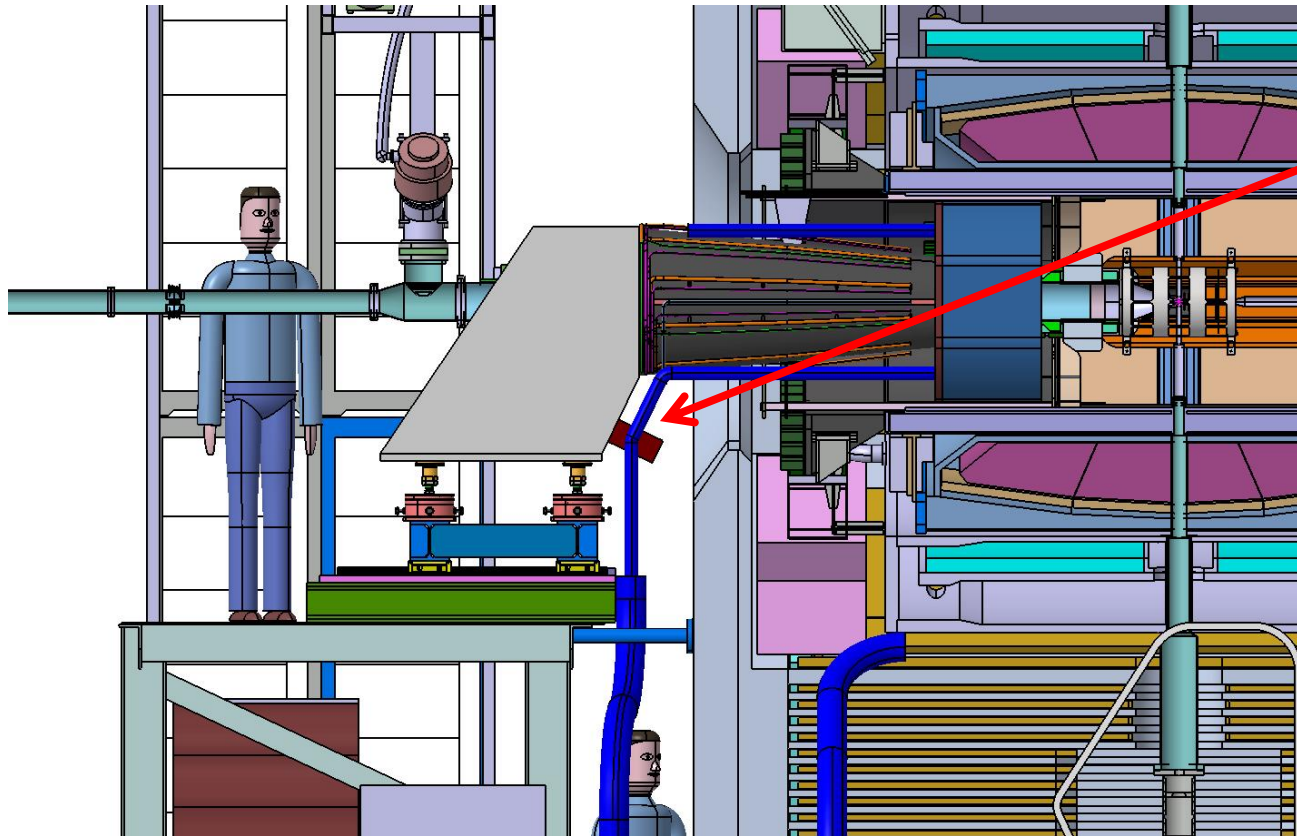


Lever arm
concept with
horizontal
cone support

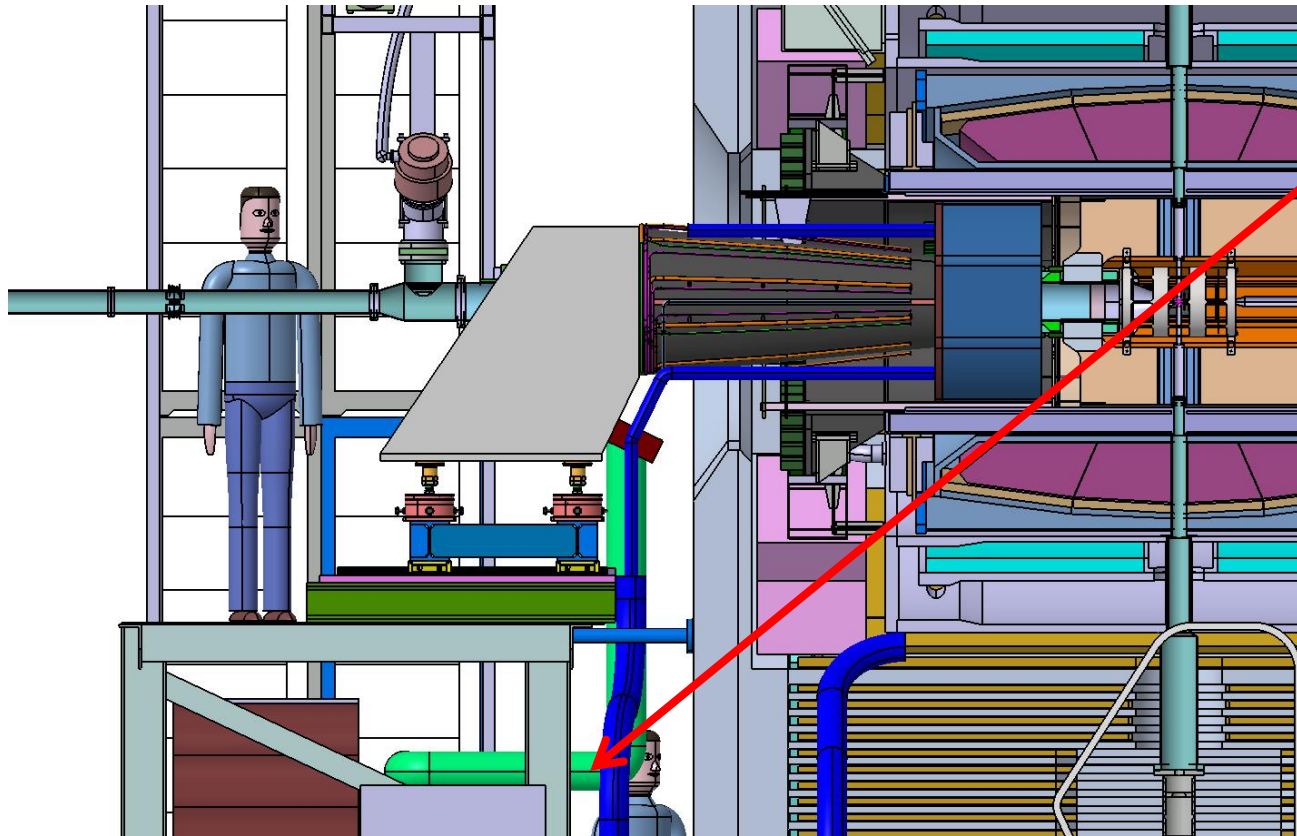


Services out of Mounting Plate **around** the cone out of the spectrometer

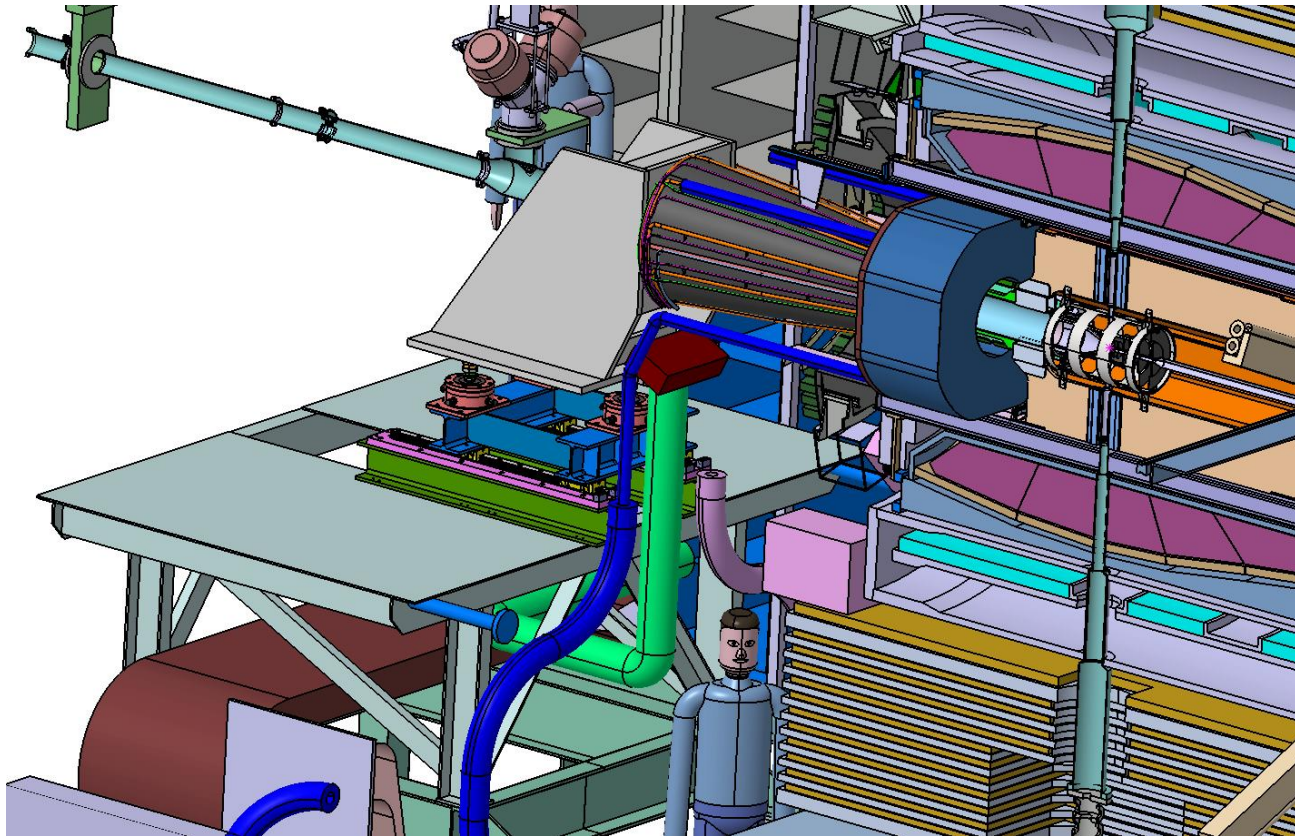
Cooling



**Patch Panel
attached to
the movable
trolley**



Then cables go down and under the Aux-Platform to the **bottom left downstream rack**



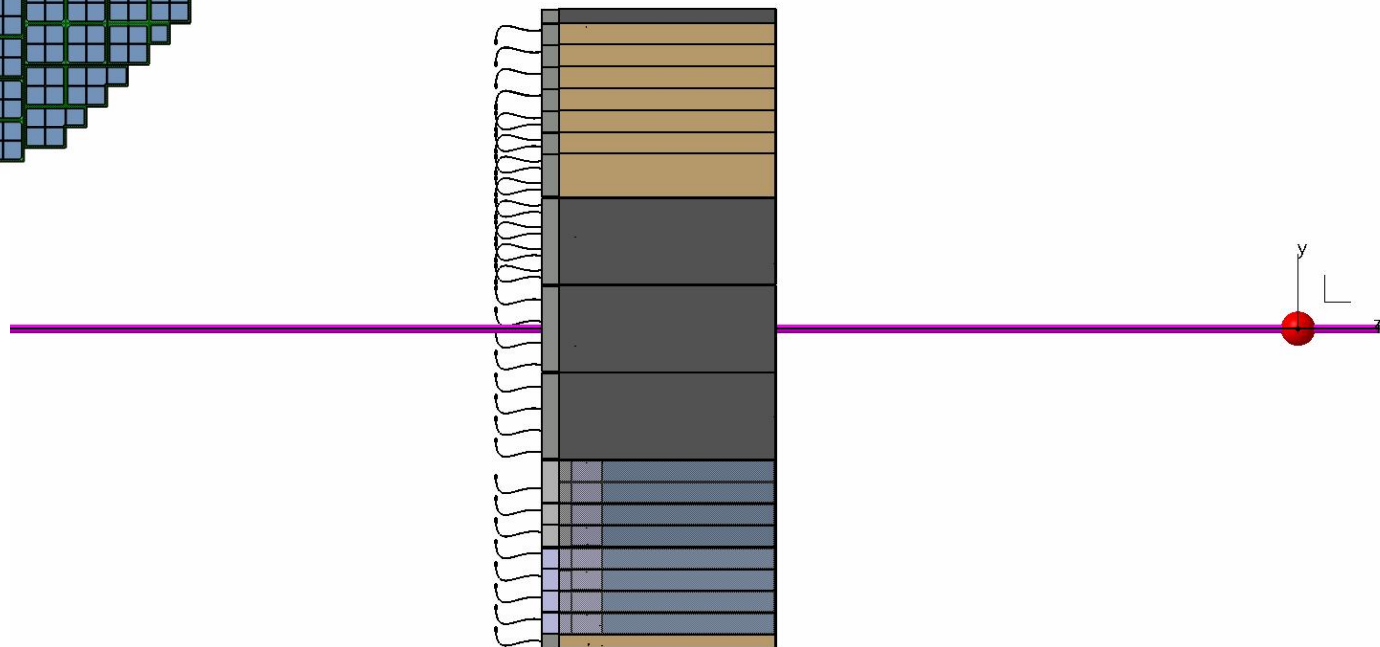
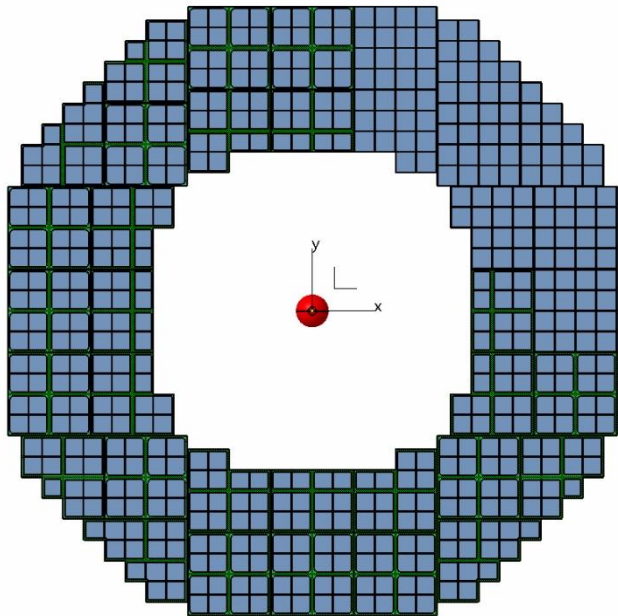
Separation of
Aux-Plattform
and doors?

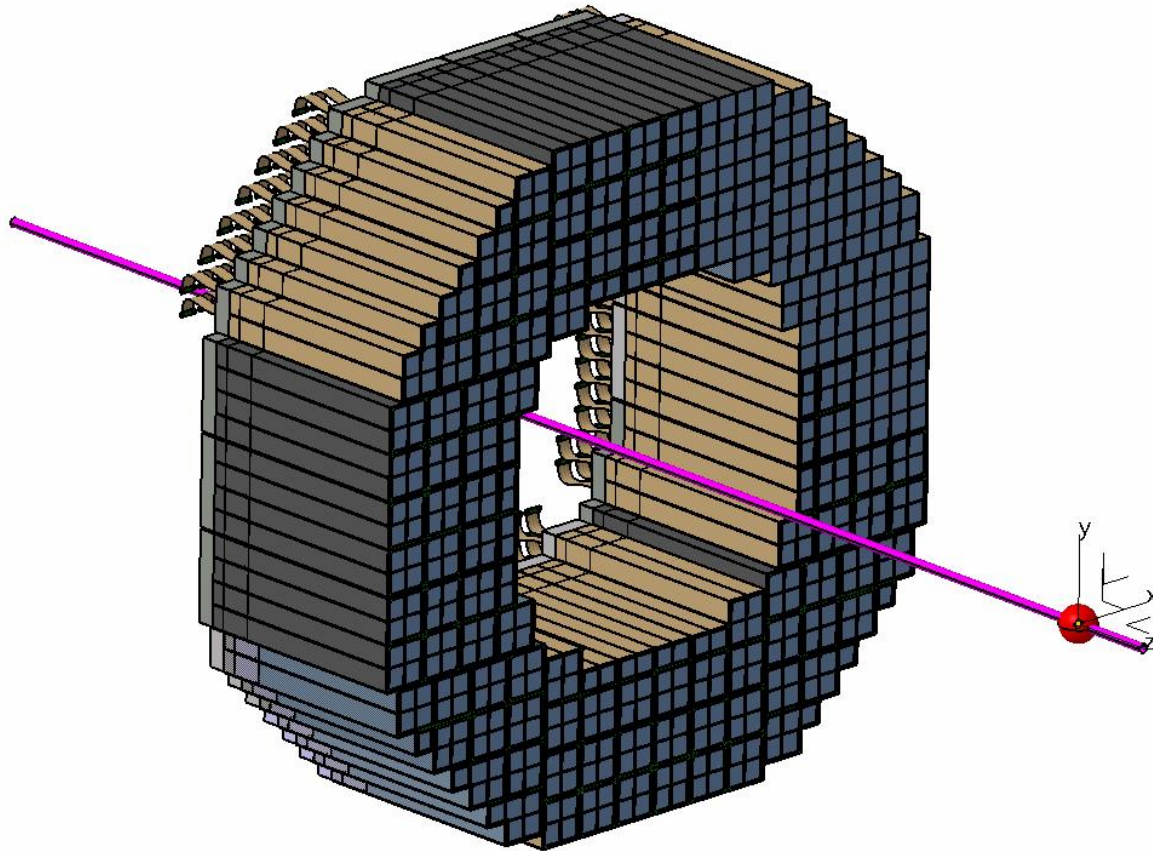
Gap between
BWEC system
and doors?

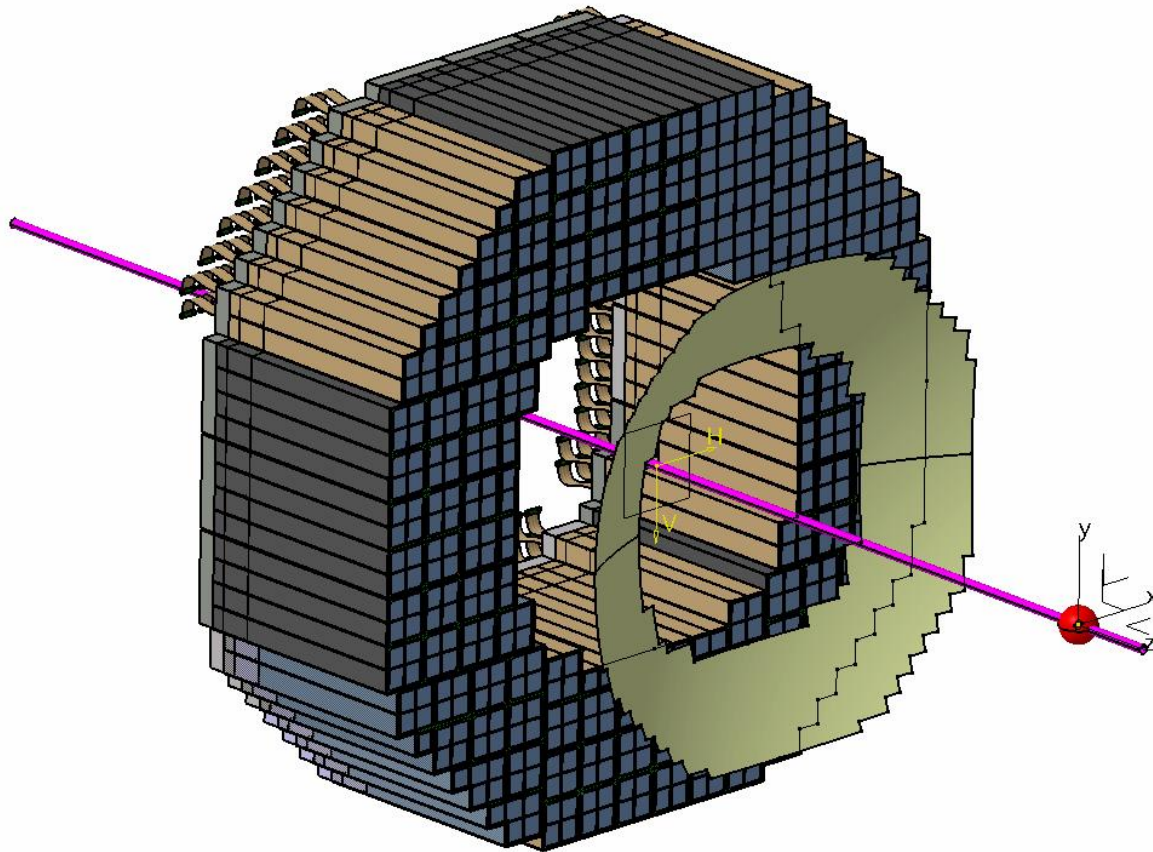
Thank you

S. Ahmed
L. Capozza
A. Dbeyssi
D. Izard
J. Jorge
F. Maas
O. Noll
D. Rodríguez Piñeiro

Back-Up







Distance to target (mm)	Solid Angle (sr)
560	0,7230
610 (+5cm)	0,6431
635(+7,5cm)	0,6072
660(+10cm)	0,5739

*Only taken into account front face of the crystals