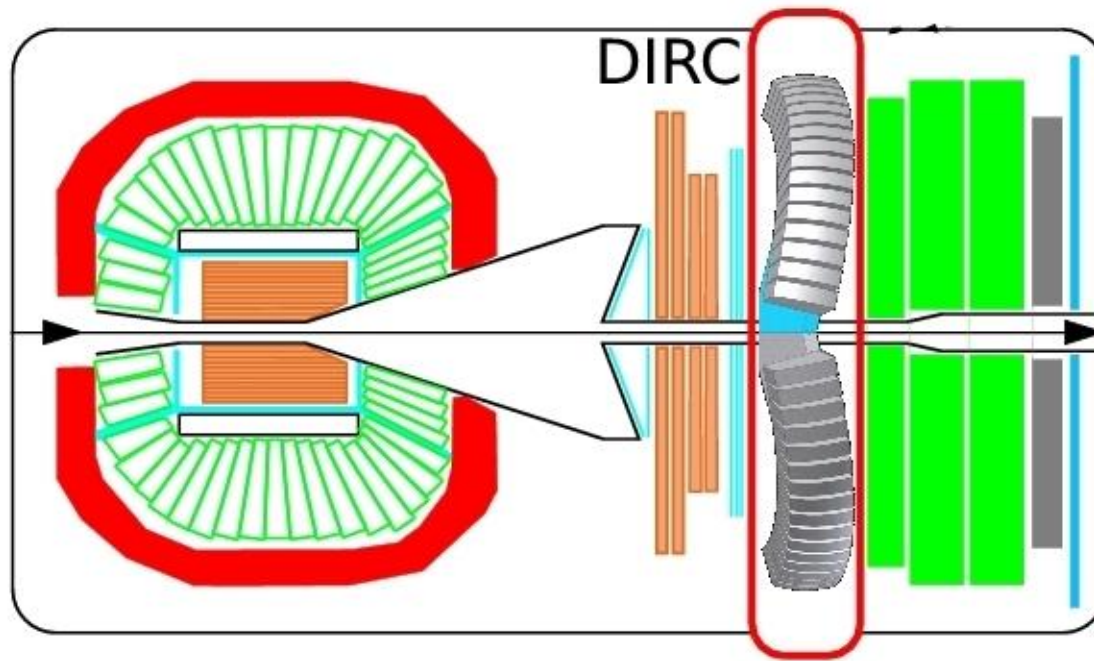


Mechanical design of the WASA DIRC

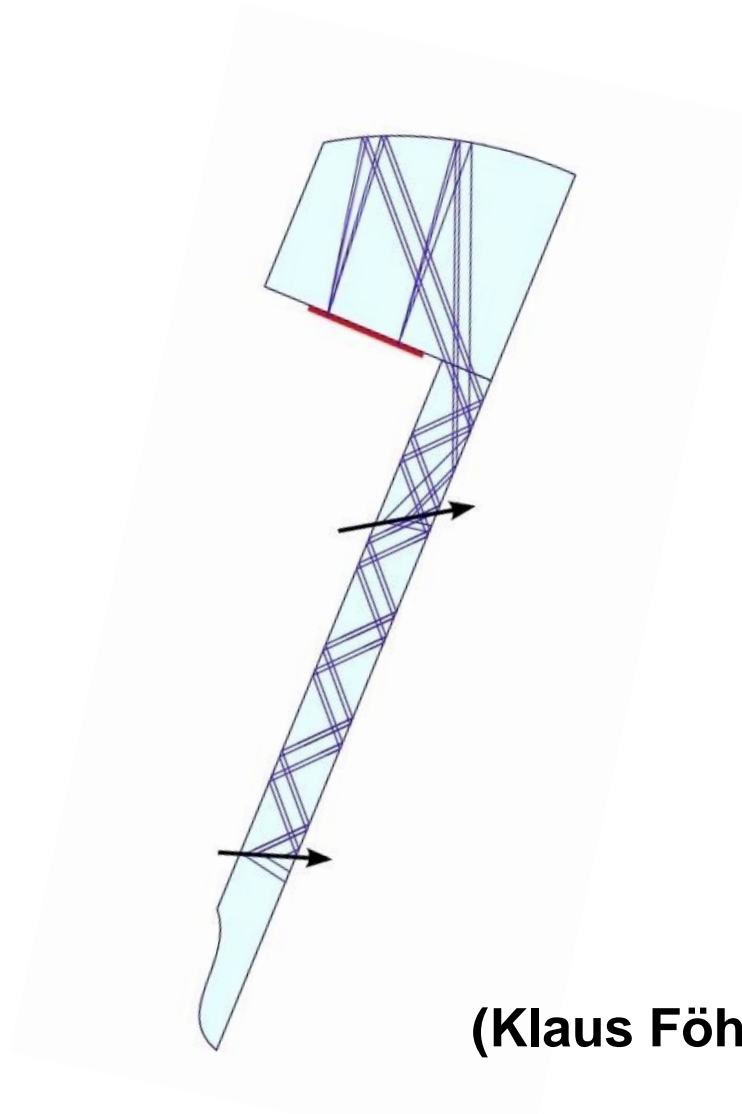
E.Doroshkevich, Uni Tuebingen

- Design of the elements
- Plexiglas Radiator
- Plexiglas Focusing Light Guides (FLG)
- PMT H8500 and holding structure

DIRC at WASA

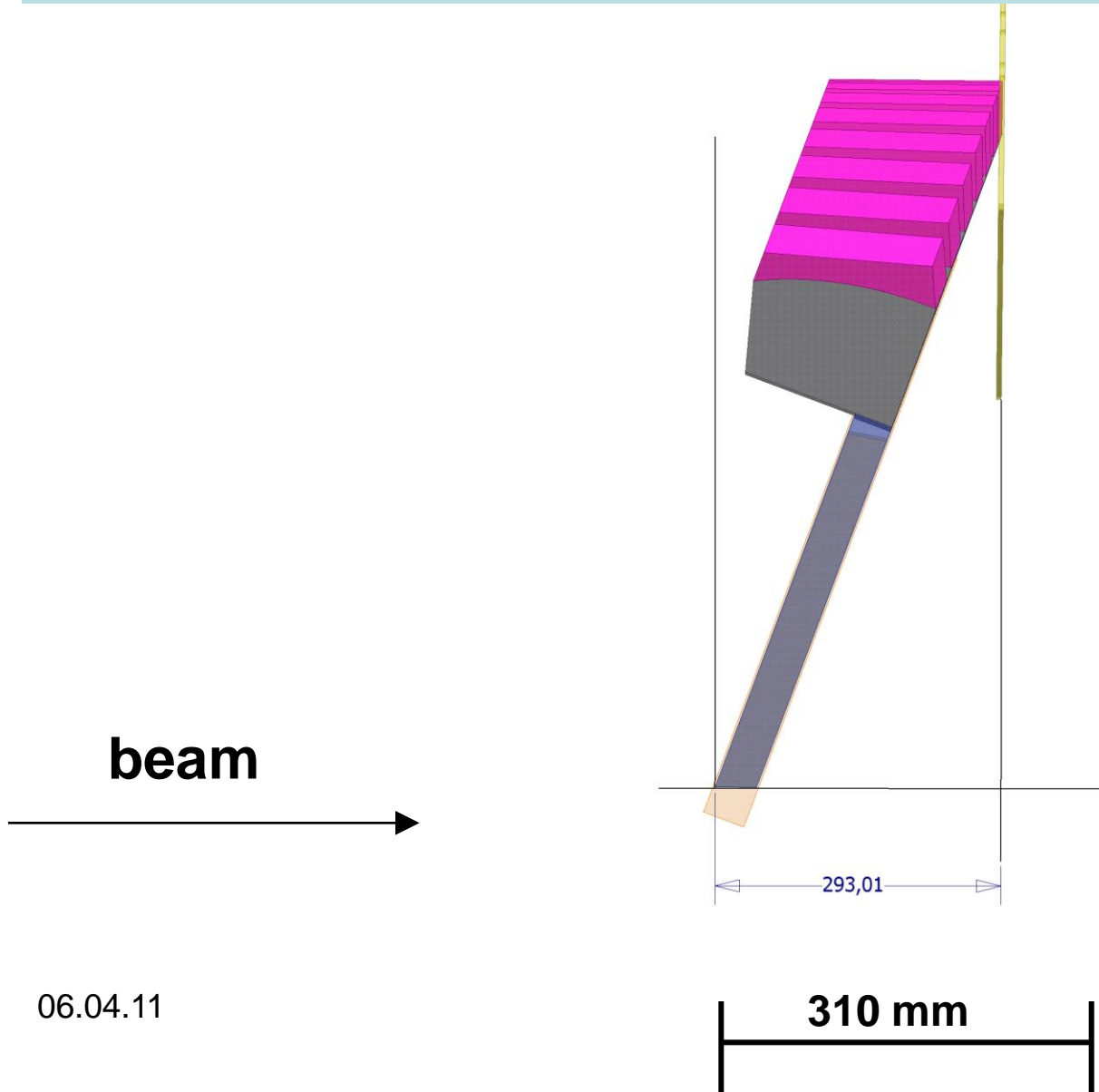


Focusing Light Guide



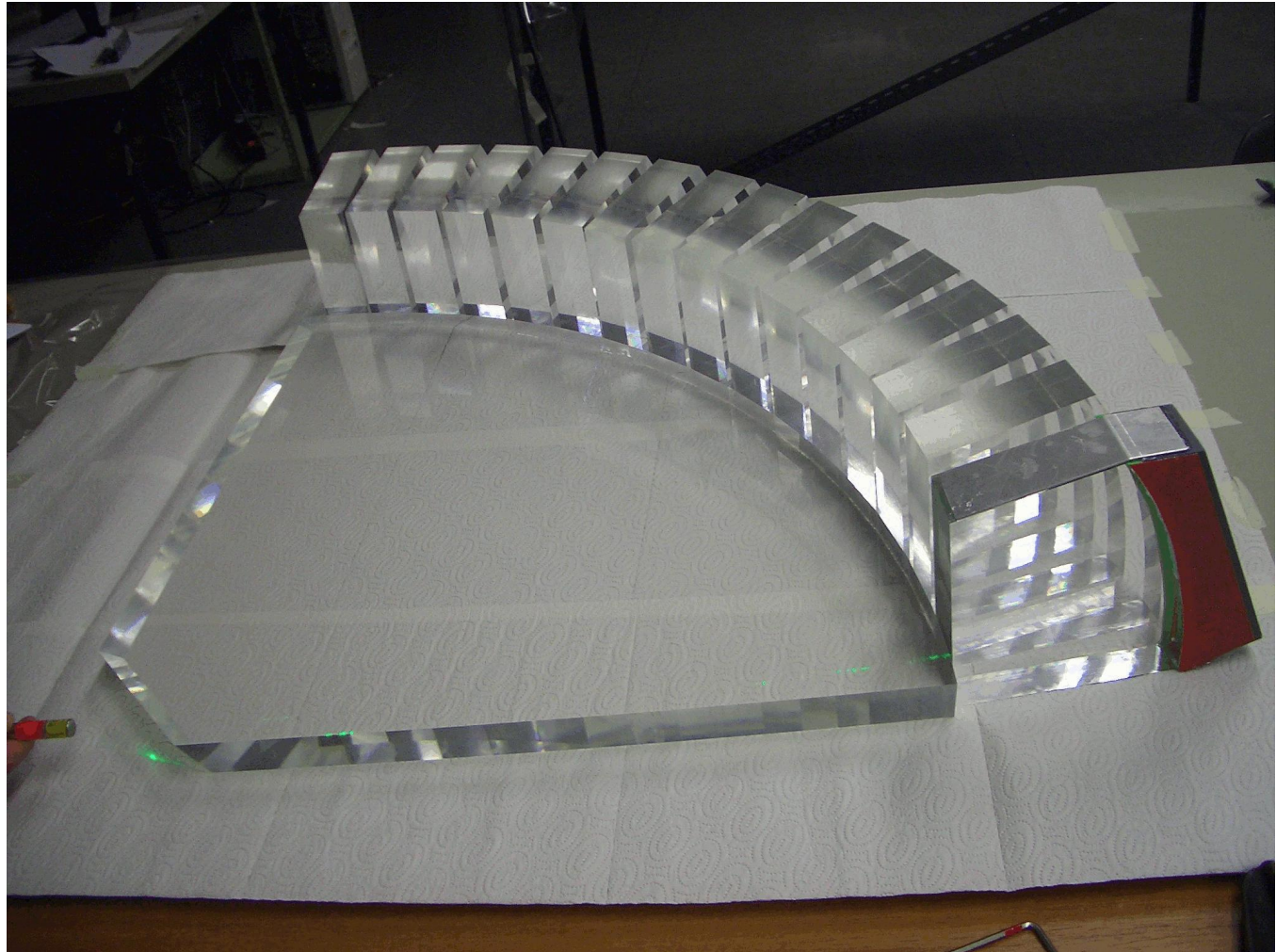
(Klaus Föhl)

DIRC geometry



06.04.11

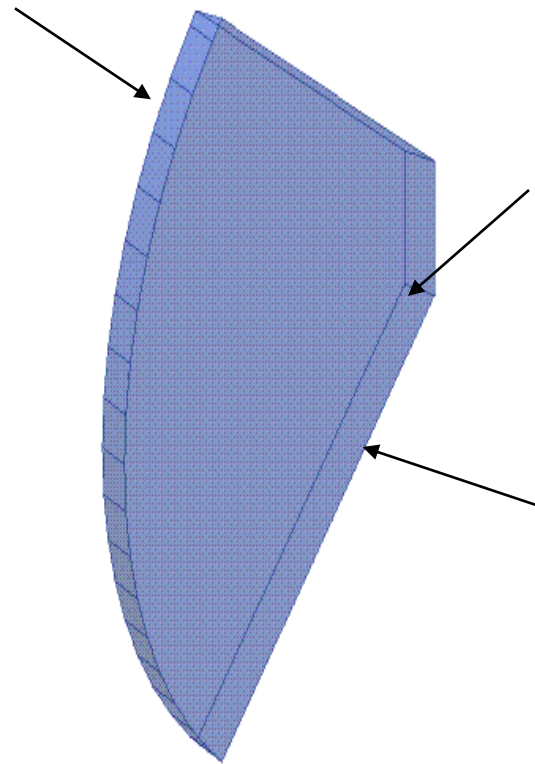
Plexiglas Radiator & FLG



06.04.11

Plexiglas Radiator design

**Space for FLG 58 mm
(FLG thickness 50 mm)**

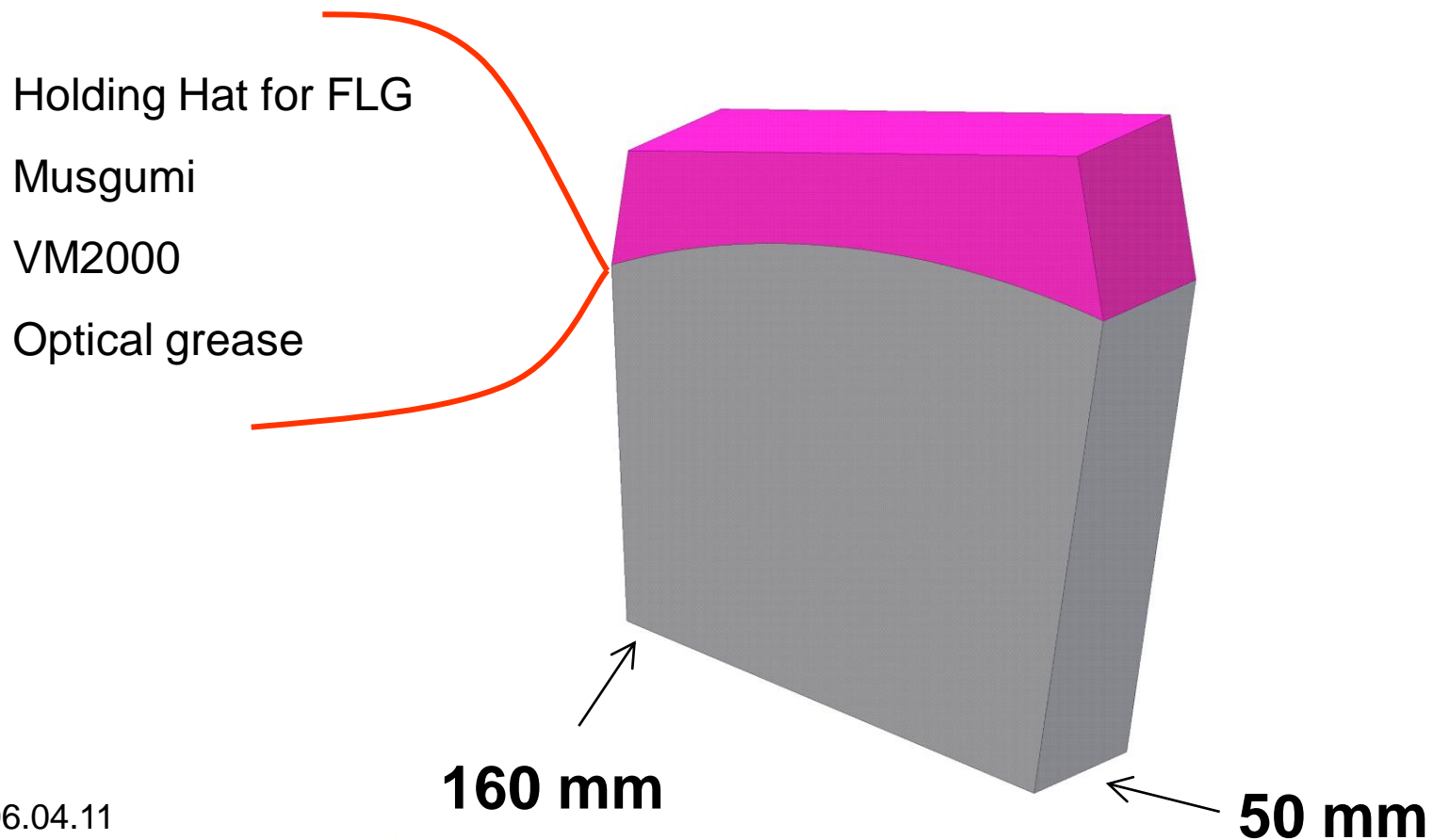


**thickness
40 mm**

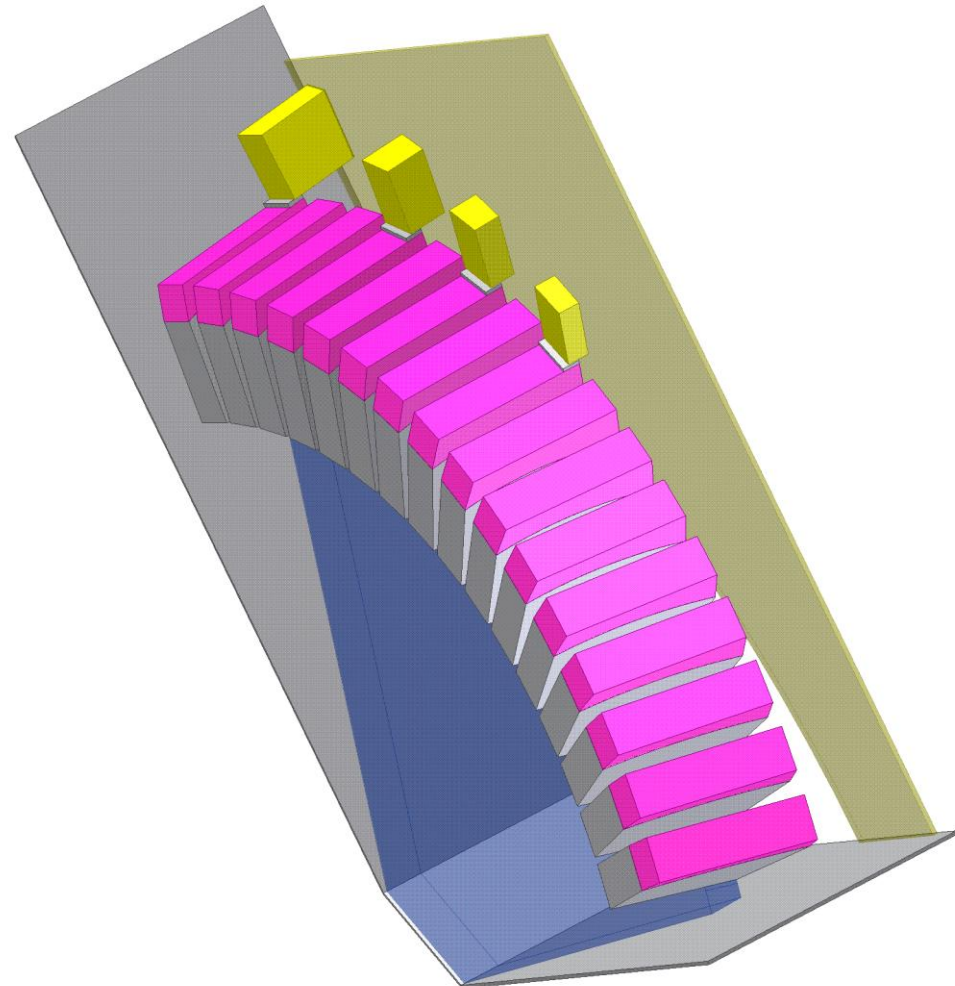
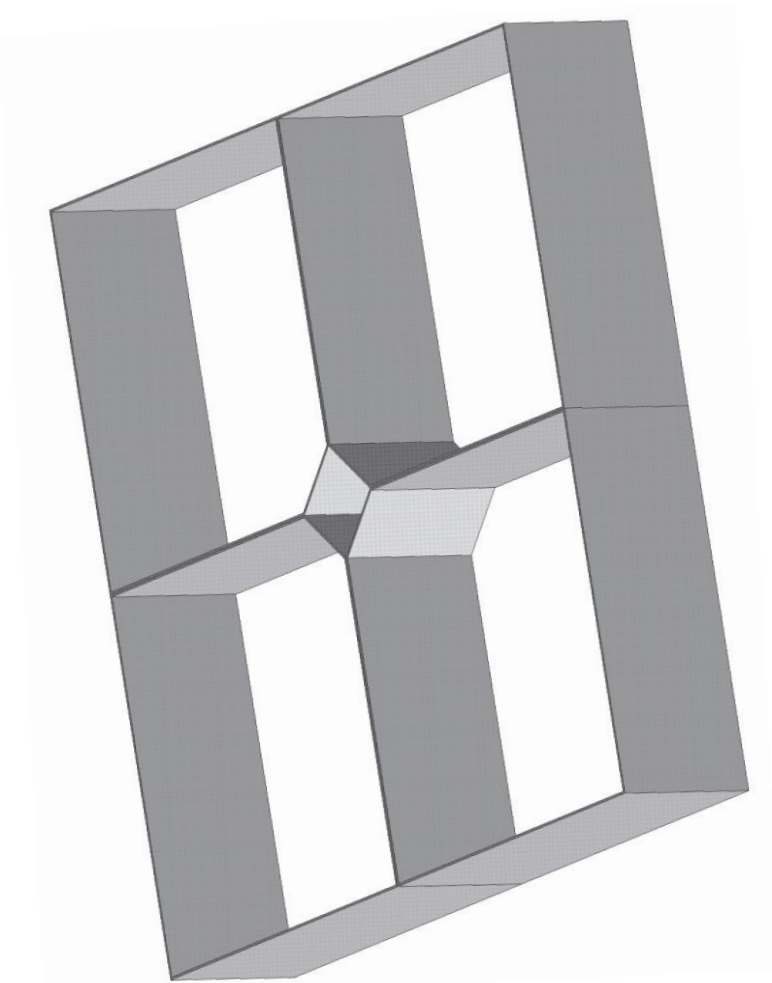
R=645 mm



Focusing Light Guide design with holding element

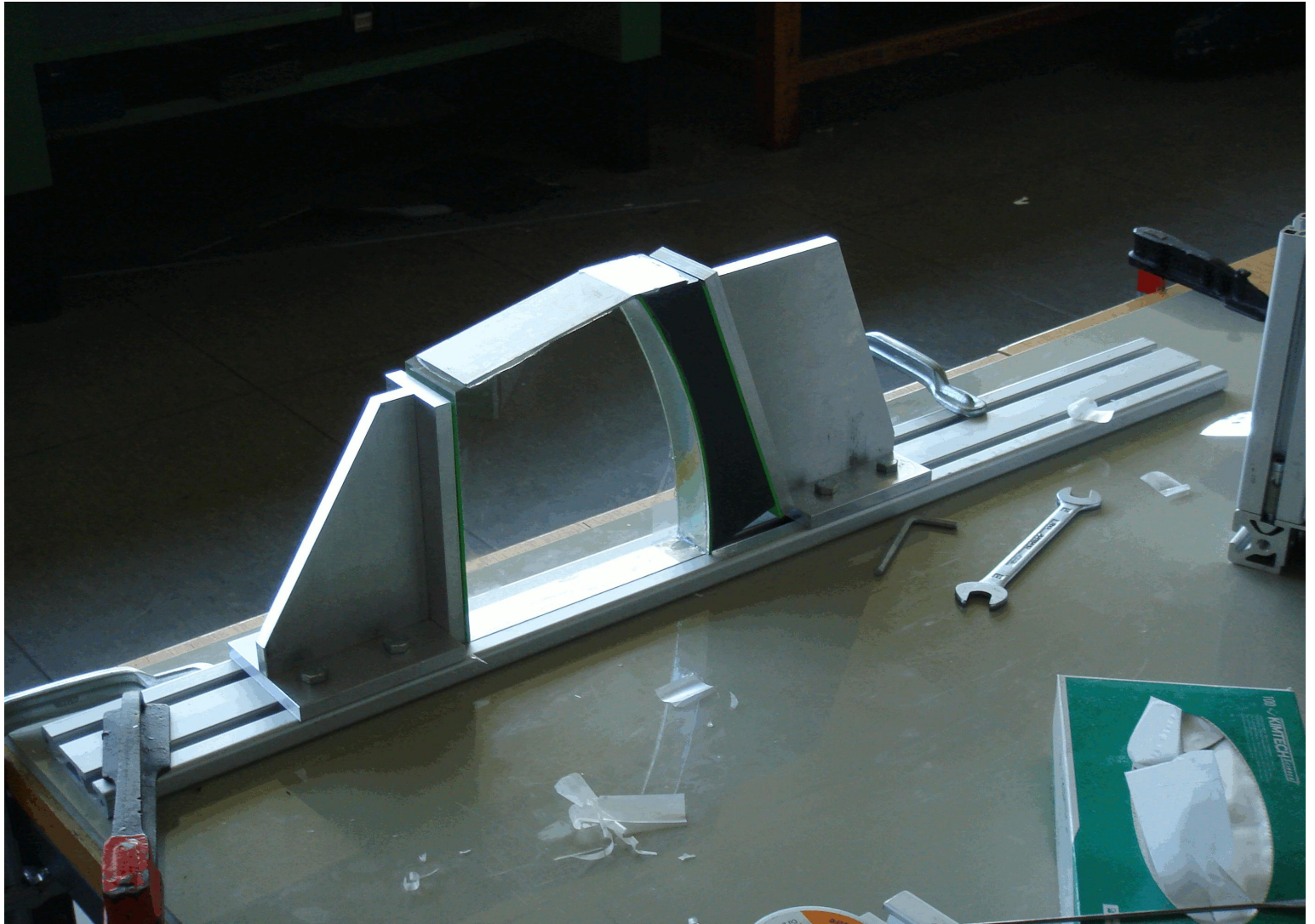


Radiator & FLG holding structure



06.04.11

Plexiglas Focusing Light Guides

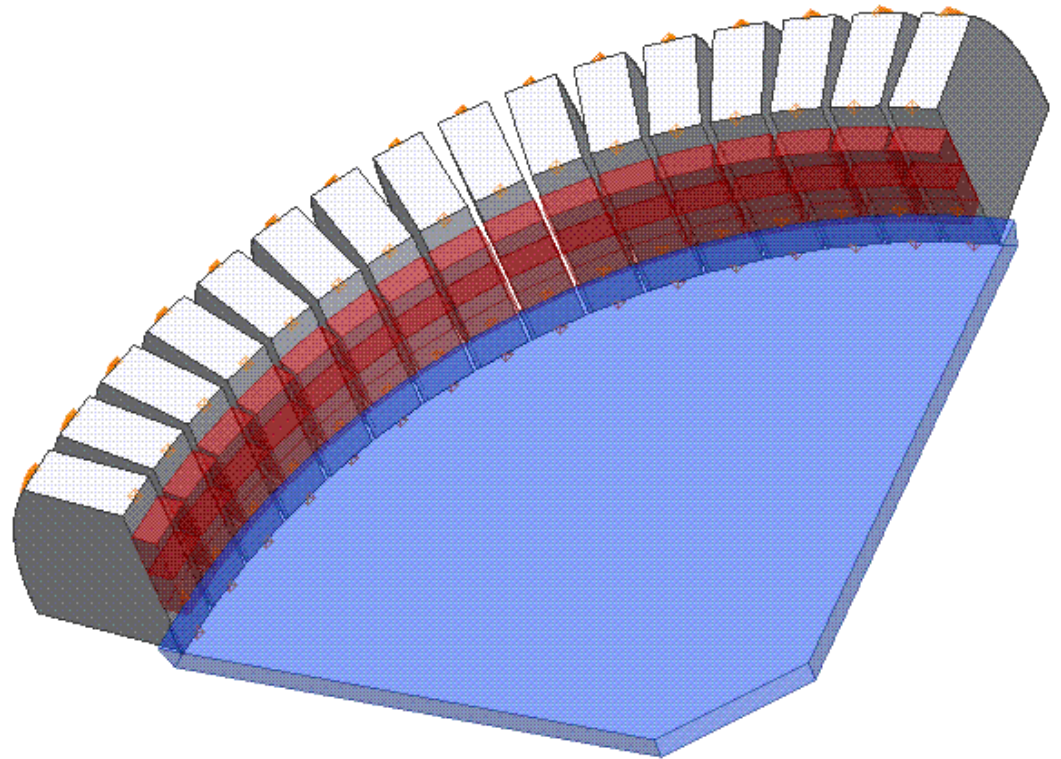


06.04.11

Installation of the PMT H8500

Size of the H8500C - 52x52 mm²

Space between PMT of neighboring FLG - 1.6 mm



Conclusion

- Plexiglas Radiator and 16 FLG are produced
- First FLG and holding element are glued
- Holding elements for the H8500 will be finished